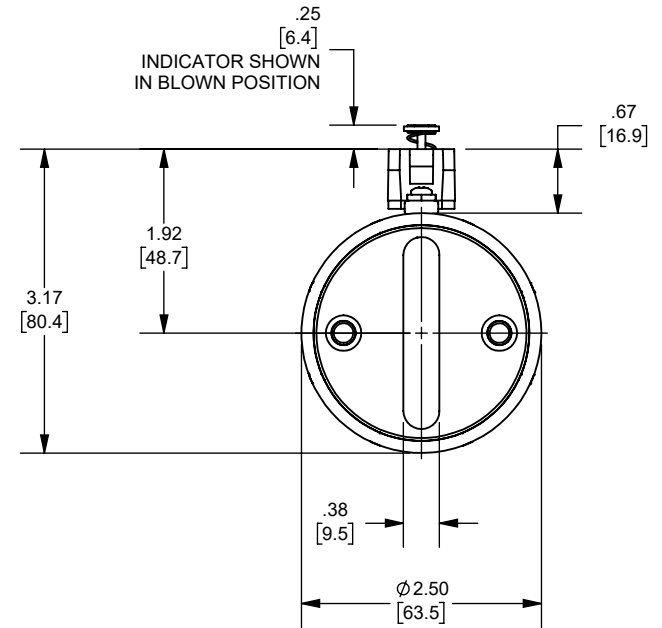
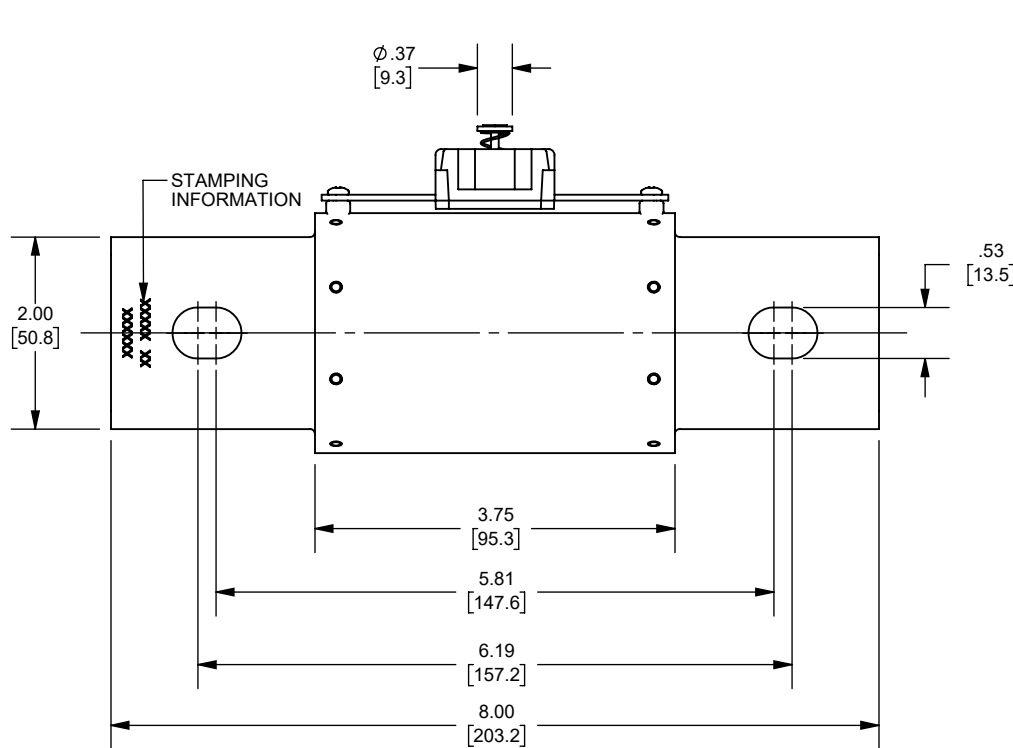


REV.	DATE	ECO	DESCRIPTION	BY	CK	APP
B	4/13/2023	17351	ADDED CAT. NOS. MDC10M(450-600)BEI AND UPDATED FORMAT	ABT	N/A	SEE ECO
C	8/28/2023	17758	REMOVED MDC10(450-600)BEI	ABT	N/A	SEE ECO



OUTLINE DIMENSIONS
NOT TO BE USED FOR PRODUCTION

DIMENSIONS IN []
ARE MILLIMETERS

Approval stage / Etat d'approbation: APPROUVÉ POUR FABRICATION / APPROVED FOR MANUFACTURING	Product Class:/ Product Type:	CLASS J EI PHOTOVOLTAIC FUSE	
	Product amp rating:/ Voltage rating:	450 - 600A	1000VDC
Initial ECO / ECO intiale:	ECO-17351-000	Title / Titre:	Weight : Masse :
Draw by / Dessiné par: Alma Balcazar	Date : 9/6/2023	OUTLINE HP10J(450-600)EI	
Checked by / Vérifié par: Yadyra Fang	Date : 9/6/2023		
Electrical Power 374 MERRIMAC STREET NEWBURYPORT, MA 01950	Éch / Scale : 1:2 Format / Size : A	Drawing / de dessin: 702055	Rev : C Rév :
	Part / Article: SEE TABLE	Page : 1/1	MERSEN

HP10J600EI
HP10J500EI
HP10J450EI
CATALOG NUMBER

Ce plan strictement confidentiel est la propriété exclusive de la société MERSEN sans l'autorisation écrite de laquelle il ne peut être ni reproduit, ni copié, ni communiqué à des tiers.
This drawing and specifications there on is property of MERSEN and shall not be reproduced or copied or used in whole or in part as the base for manufacture or sale of item without written permission.