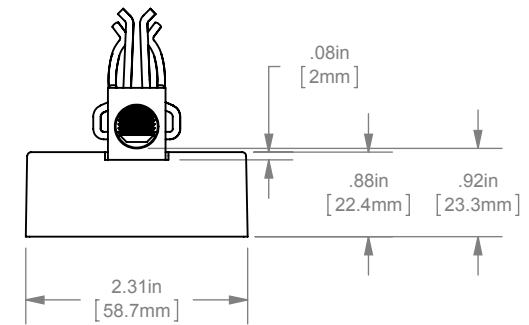
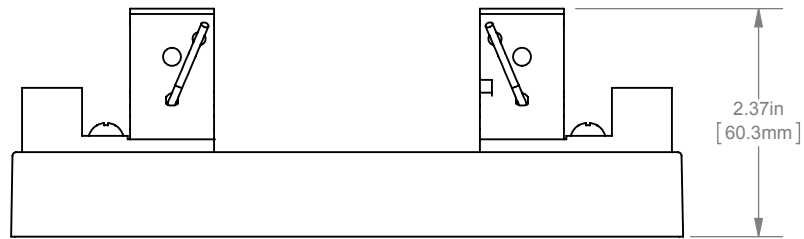
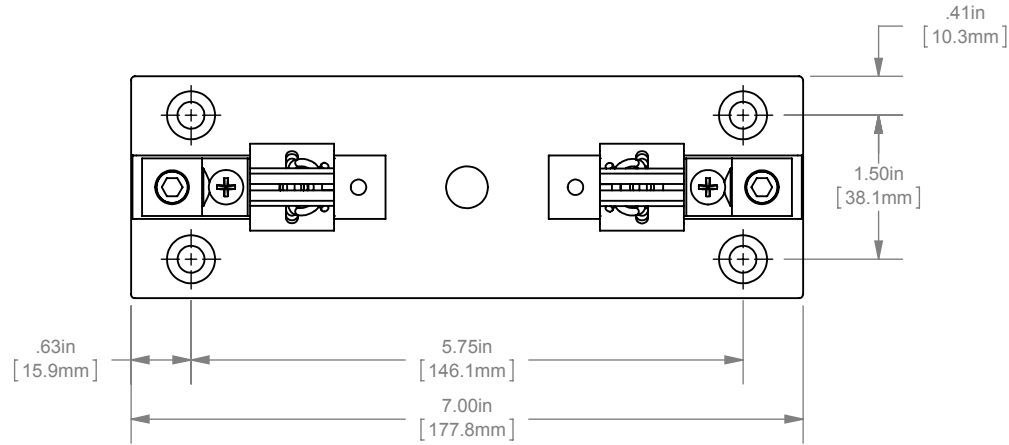


REV.	DATE	ECO	DESCRIPTION	BY	CK	APP
-	1/16/2014	N/A	REDRAWN IN SOLIDWORKS	GDR	N/A	N/A



DIMENSIONS IN [] ARE MILLIMETERS



MERSEN USA NEWBURYPORT-MA, LLC
374 MERRIMAC STREET
NEWBURYPORT, MA 01950

61036J

FUSE BLOCK, 1P CLASS J

100A 600V

OUTLINE DIMENSIONS
NOT TO BE USED FOR PRODUCTION

05C0219

PRODUCT MANAGER

SIGN:

DATE:

DESIGN ENGINEER

SIGN:

DATE: (SEE ECO)