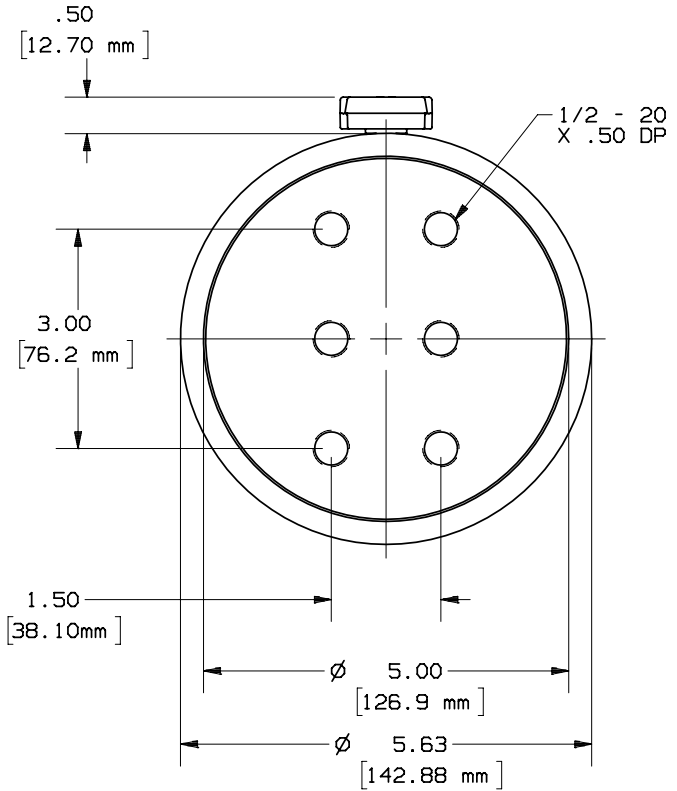
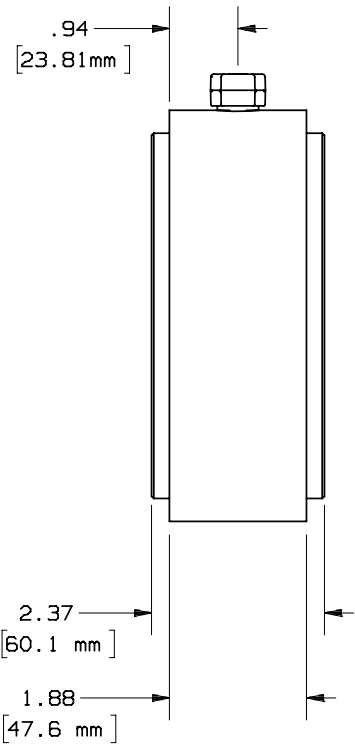


REV	DATE	ECO	DESCRIPTION	BY	CK	APP
A	4/2/04	NA	TUBE DIAMETER WAS 5.75	ELO	NA	NA



MERSEN USA NEWBURYPORT-MA, LLC
 374 MERRIMAC STREET
 NEWBURYPORT, MA 01950

A15QS(4500 - 6000)-1281L

OUTLINE DIMENSIONS
 NOT TO BE USED FOR PRODUCTION

PRODUCT MANAGER

DESIGN ENGINEER

FORM 101
 SEMICONDUCTOR FUSE

700928

SIGN:
 DATE:

SIGN:
 DATE:

4500-6000AMPS 150VAC IEC/165VAC MAX