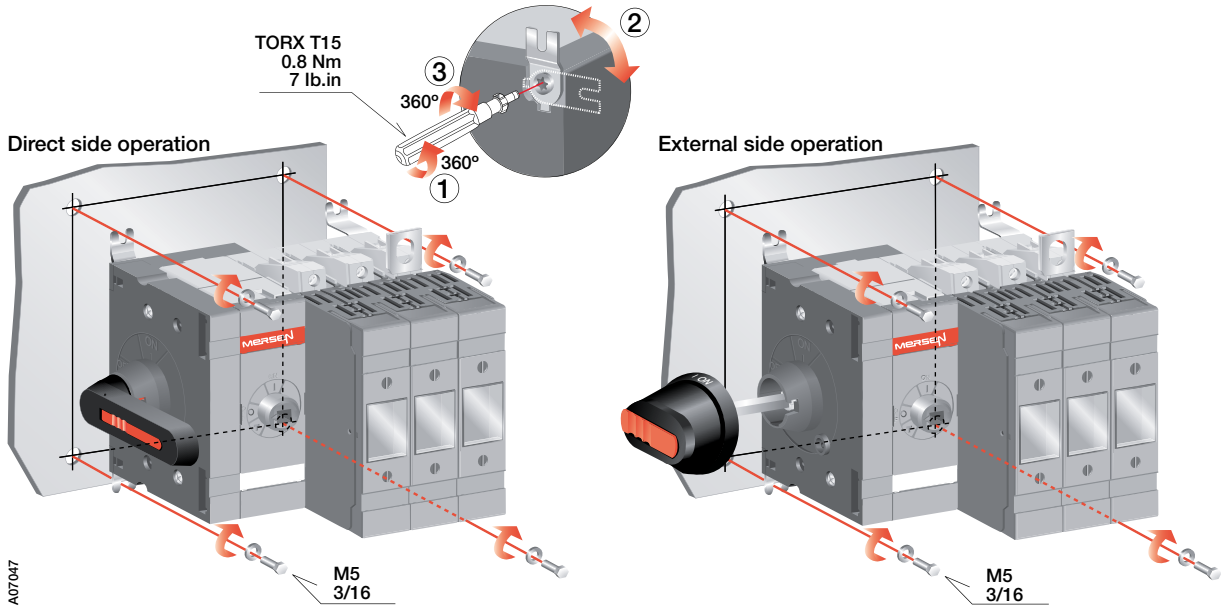


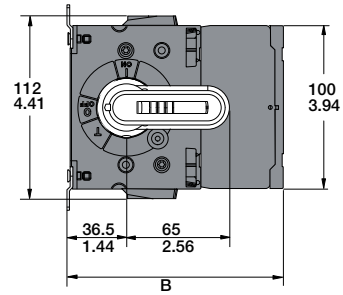
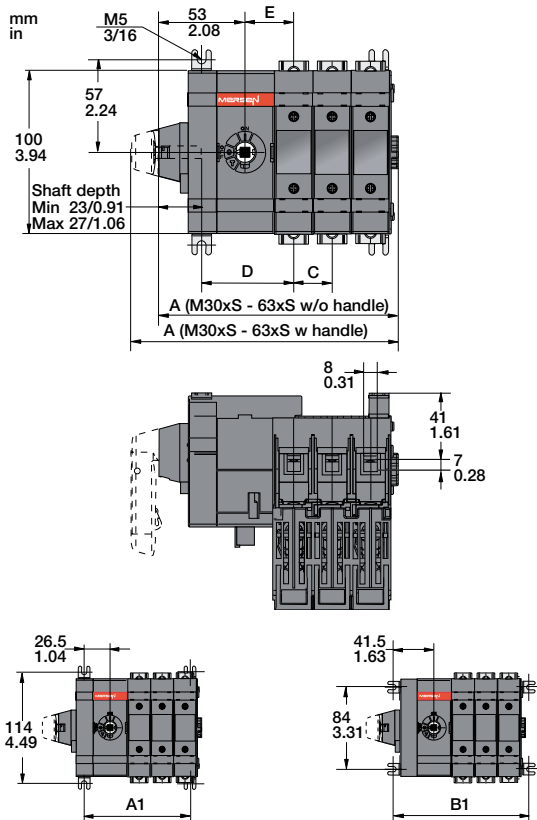
# M30-63xS Fused

Document no. 34M30-63SF-A

## M30-63xS Fused



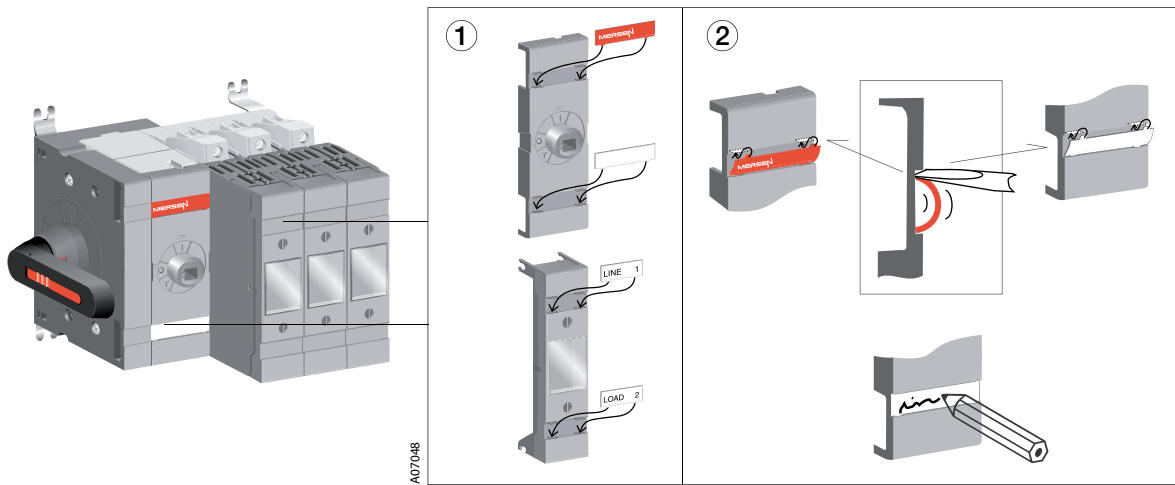
## Dimensions for DIN, BS, NFC and J fuse types



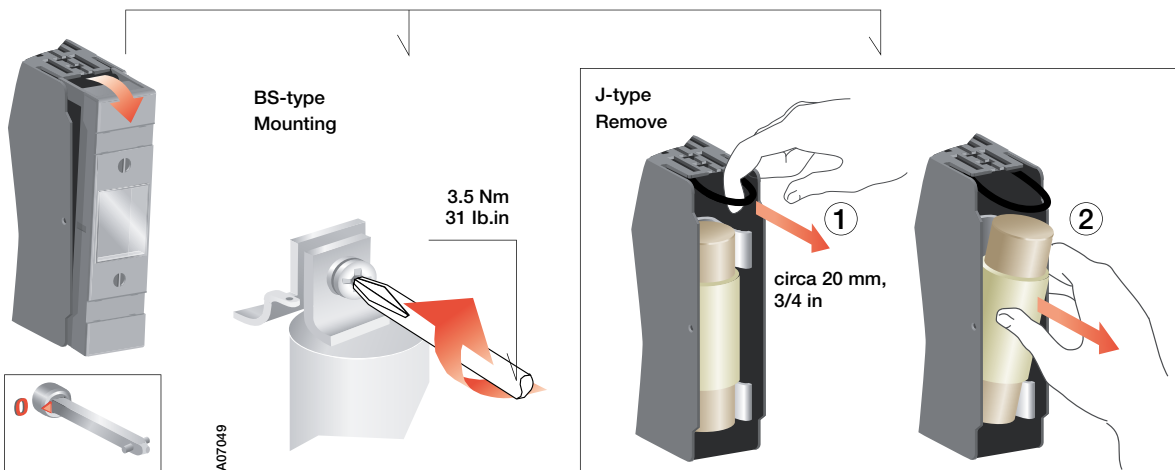
	M30xxxS - 63xxxS mm								M60JxxS mm/in			
	DS01	DS02	DS03	DS04	B/FS01	B/FS02	B/FS03	B/FS04	JS01	JS02	JS03	JS04
A	99.5	123	146.5	170	99.5	123	146.5	170	109.5/4.31	144.5/5.69	179.5/7.07	214.5/8.44
B	132.5	132.5	132.5	132.5	120.5	120.5	120.5	120.5	130/5.12	130/5.12	130/5.12	130/5.12
C	-	23.5	23.5	23.5	-	23.5	23.5	23.5	-	35/1.38	35/1.38	35/1.38
D	56.5	56.5	56.5	56.5	56.5	56.5	56.5	56.5	62/2.44	62/2.44	62/2.44	62/2.44
E	30	30	30	30	30	30	30	30	36/1.41	36/1.41	36/1.41	36/1.41
F	116.5	140	163.5	187	116.5	140	163.5	187	126.5/4.98	161.5/6.36	196.5/7.74	231.5/9.11
A1	61.5	85	108.5	132	61.5	85	108.5	132	67.5/2.66	102.5/4.04	137.5/5.41	172.5/6.79
B1	91.5	115	138.5	162.5	91.5	115	138.5	162.5	37.5/1.48	72.5/2.85	107.5/4.23	142.5/5.61

# M30-63xS Fused

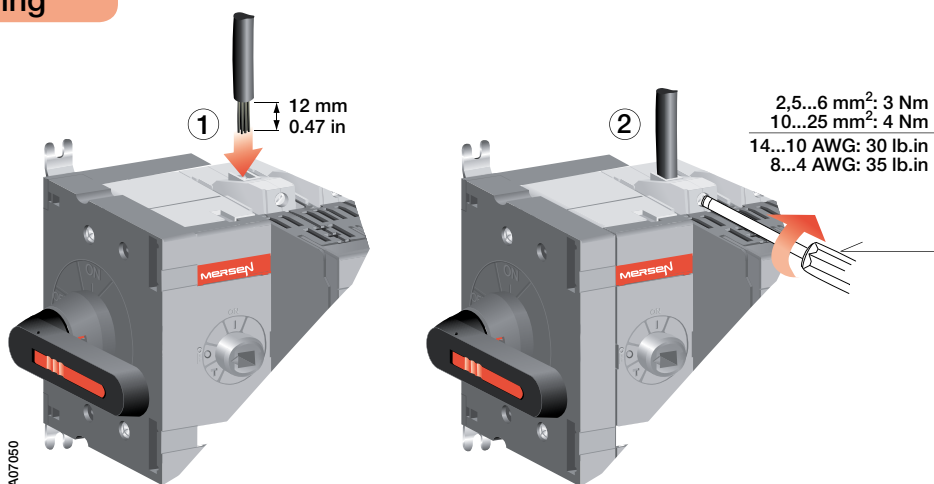
## Label



## Fuse links



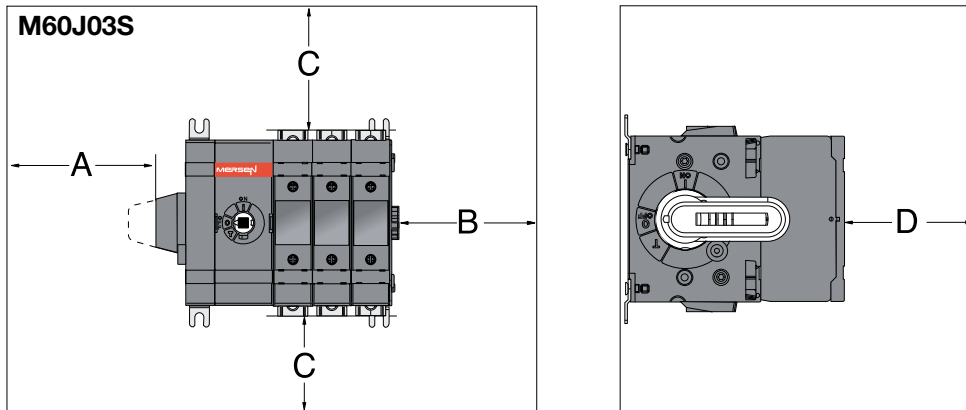
## Cabling



# M30-63xS Fused

## Clearances per UL98

Minimum enclosure size or equivalent volume



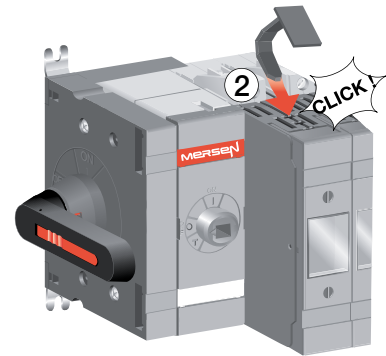
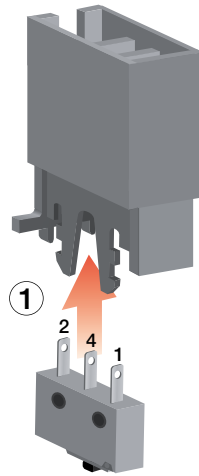
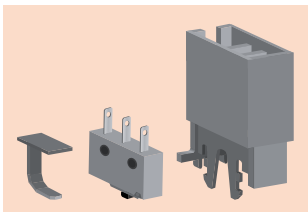
Height	Width	Depth
250 mm	200 mm	150 mm
10 in	8 in	6 in

A	0
B	13 mm 0.5 in
D	13 mm 0.5 in

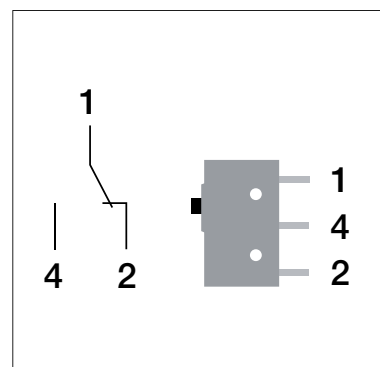
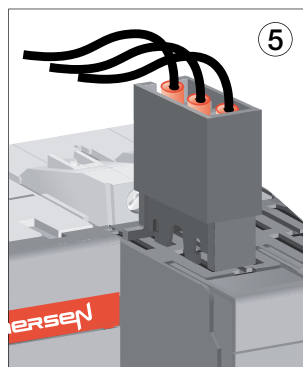
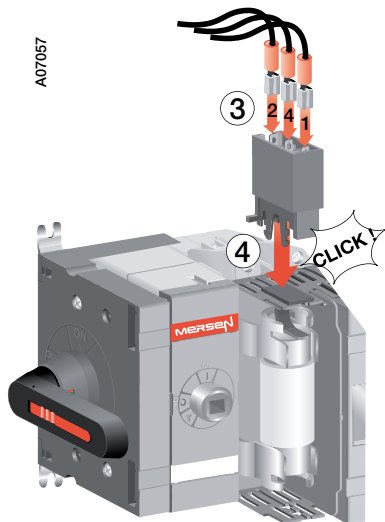
Cable size	
AWG	C
14-8	38 mm 1.5 in
6	51 mm 2 in
4	100 mm 4 in

A07051

## Blown Fuse Indicators

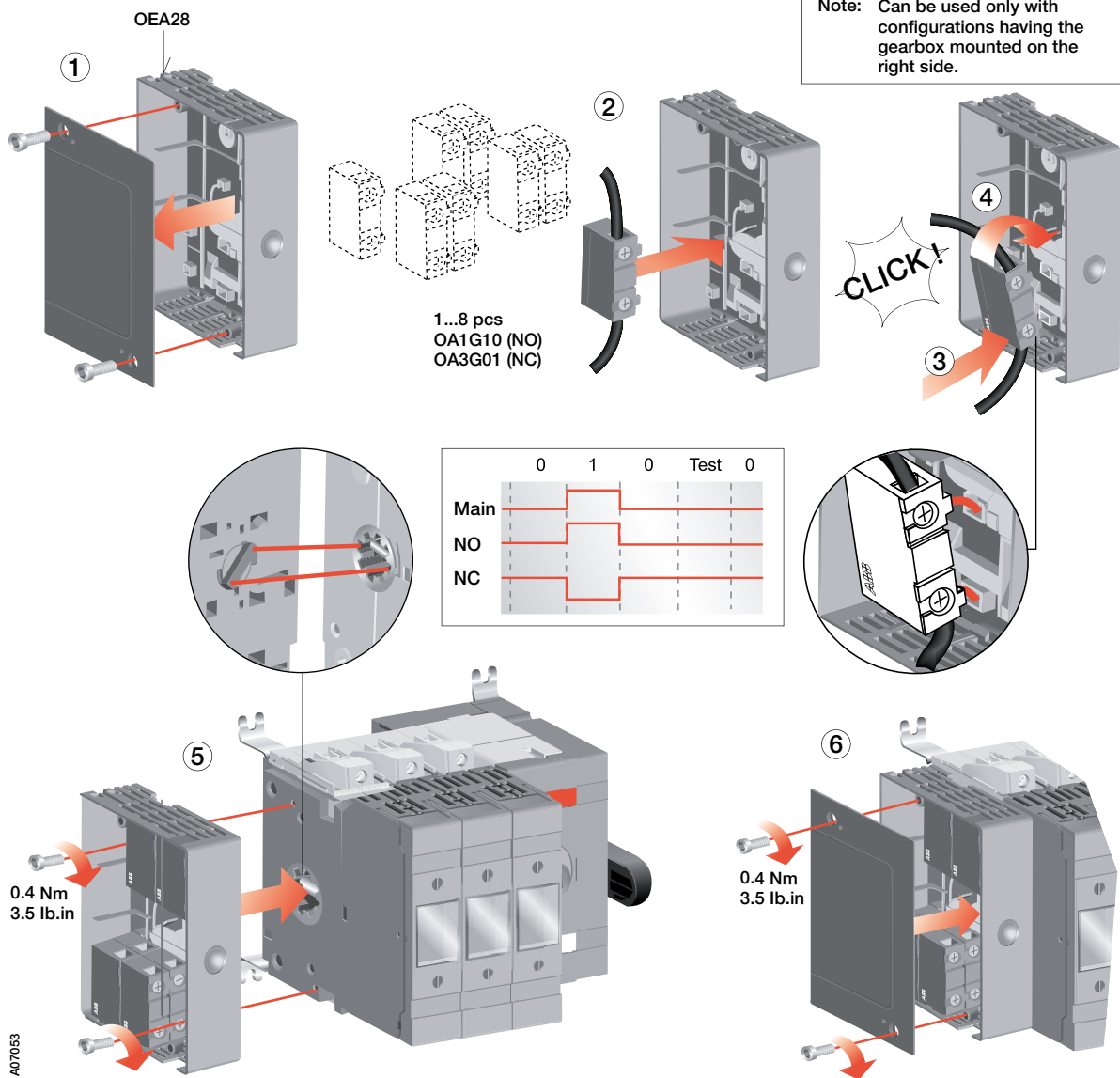


A07057

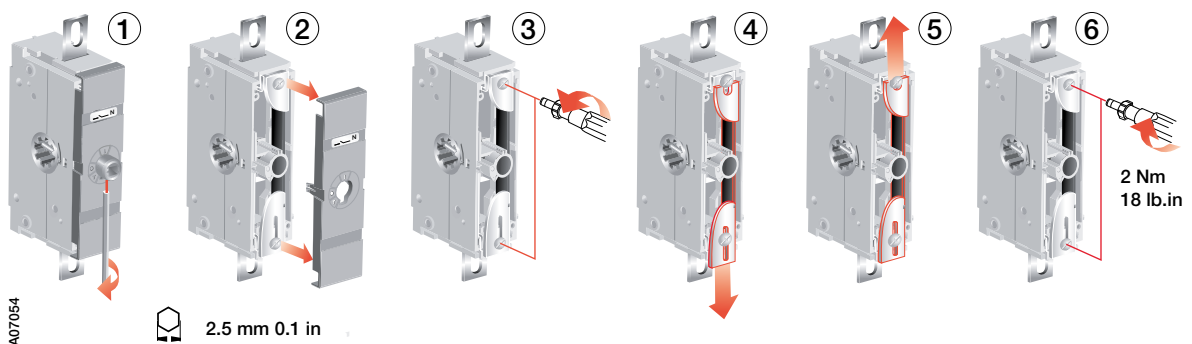


# M30-63xS Fused

## Externally mounted Auxiliary contacts

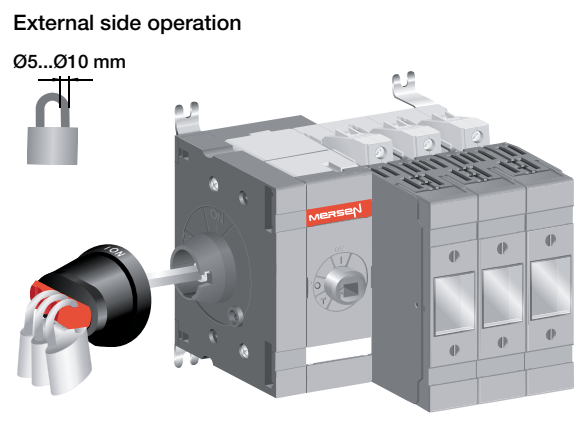
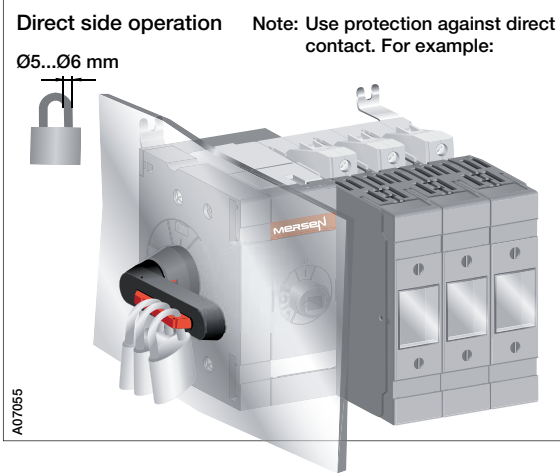
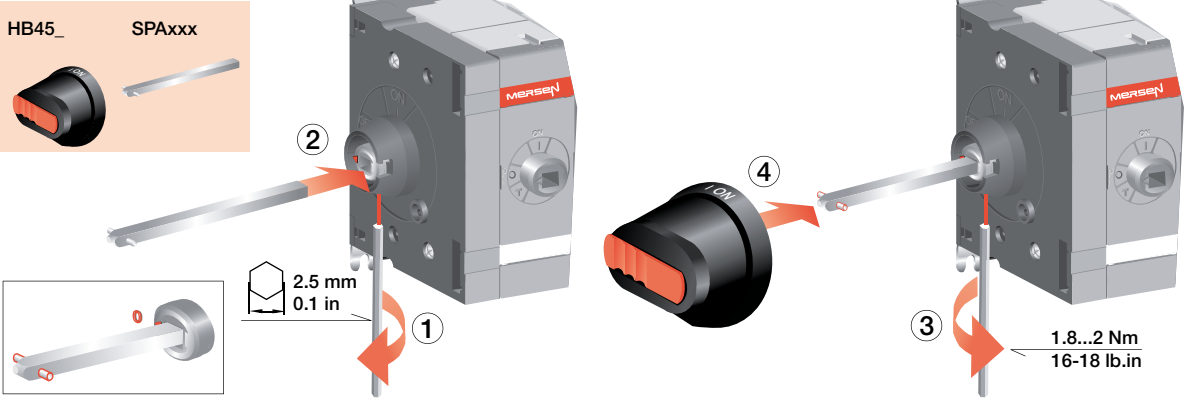


## Neutral Links

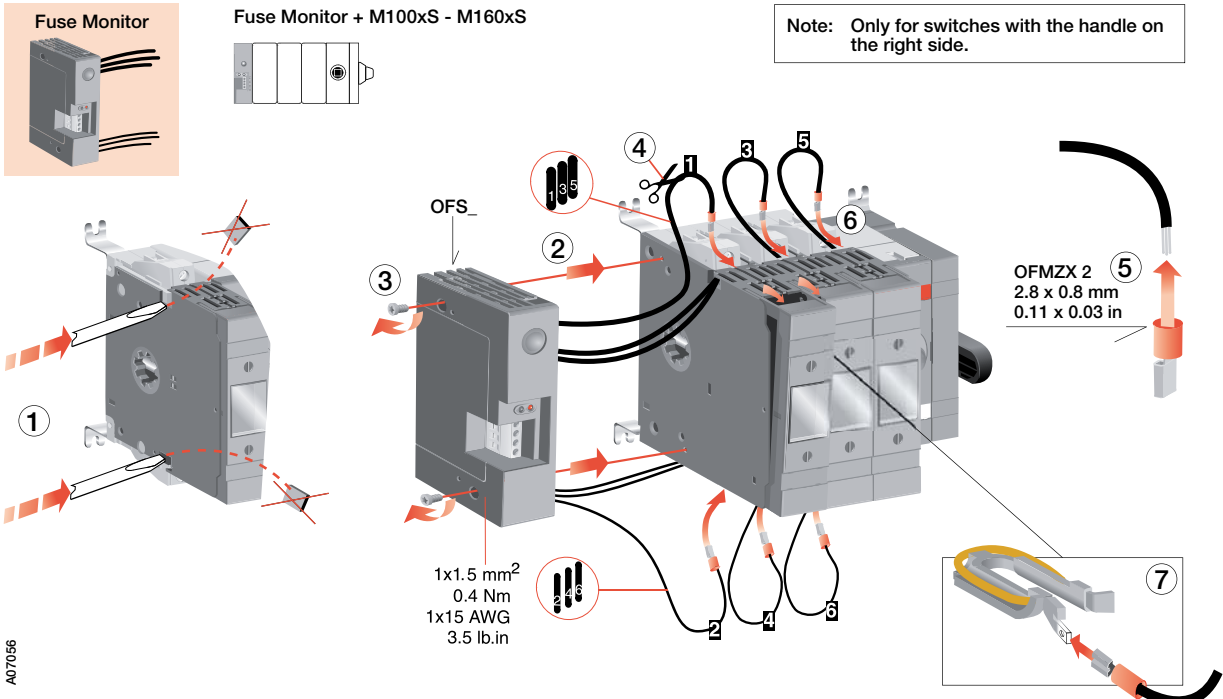


# M30-63xS Fused

## Handles

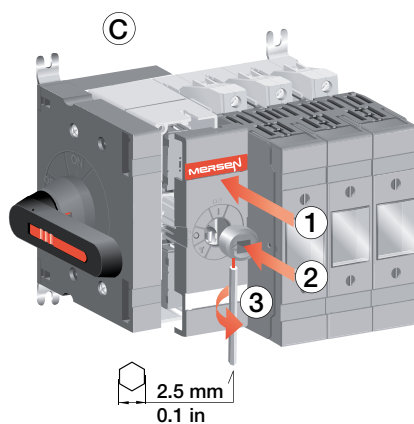
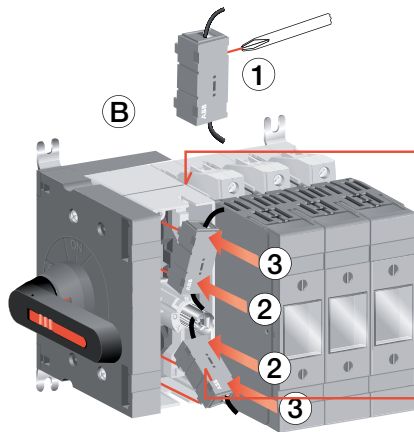
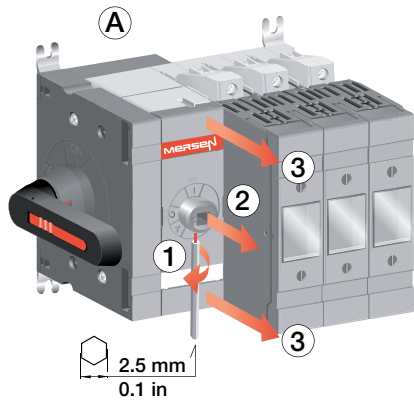


## Fuse Monitor



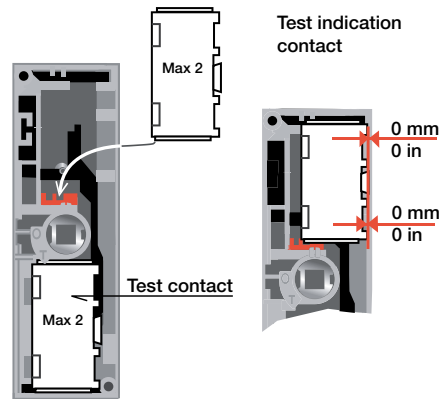
# M30-63xS Fused

## Internally mounted Auxiliary contacts



A07052

NO: OA1G10  
NC: OA3G01



OR

