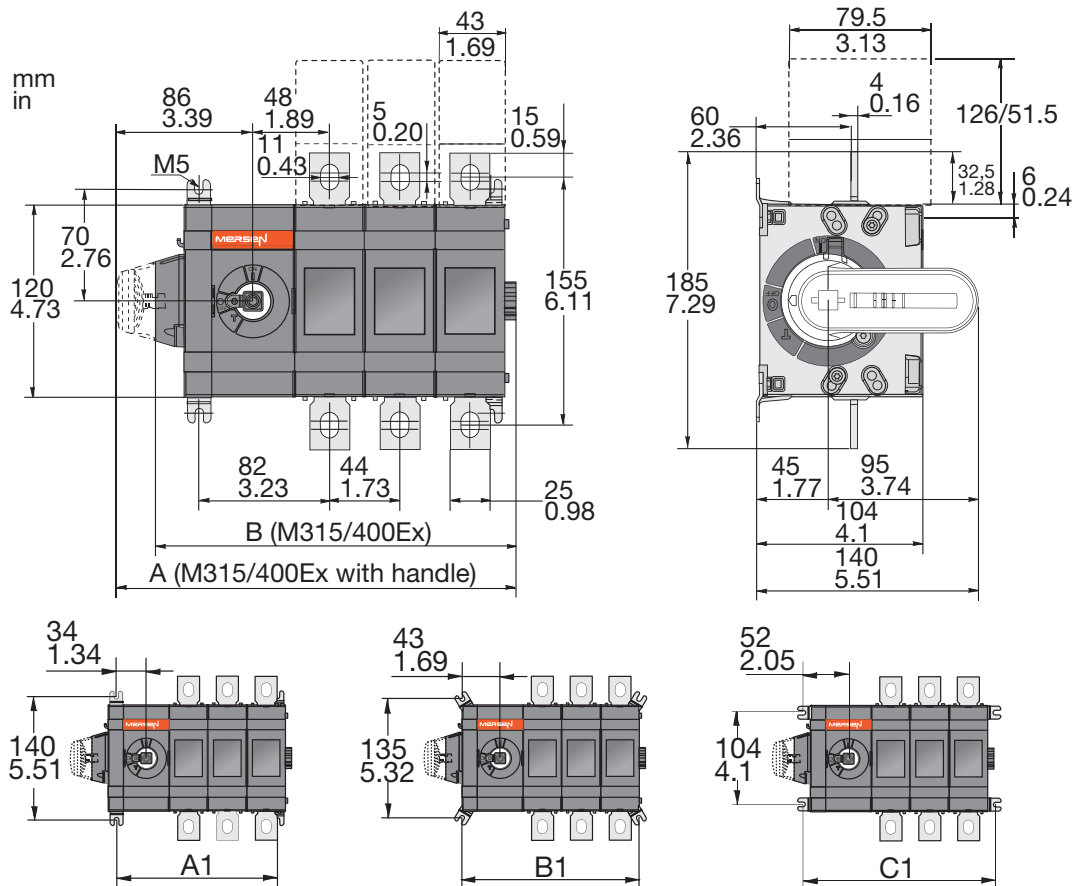
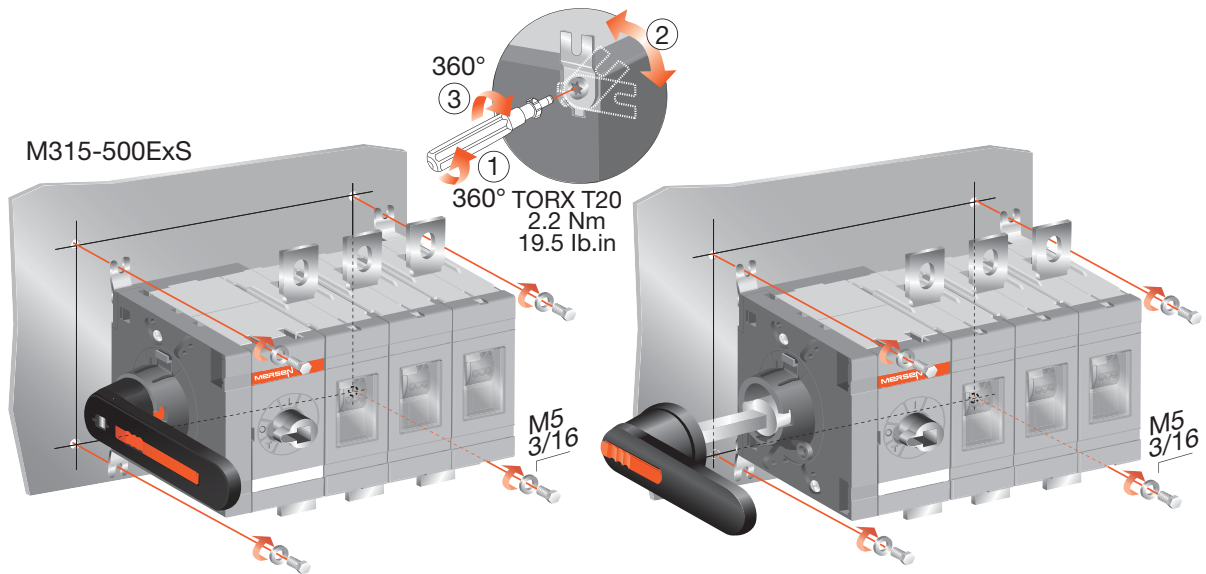


# M315-500xS Non-Fused

Document no. 34M315-500SNF-A

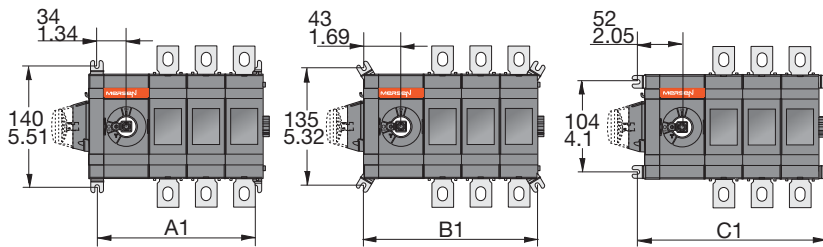
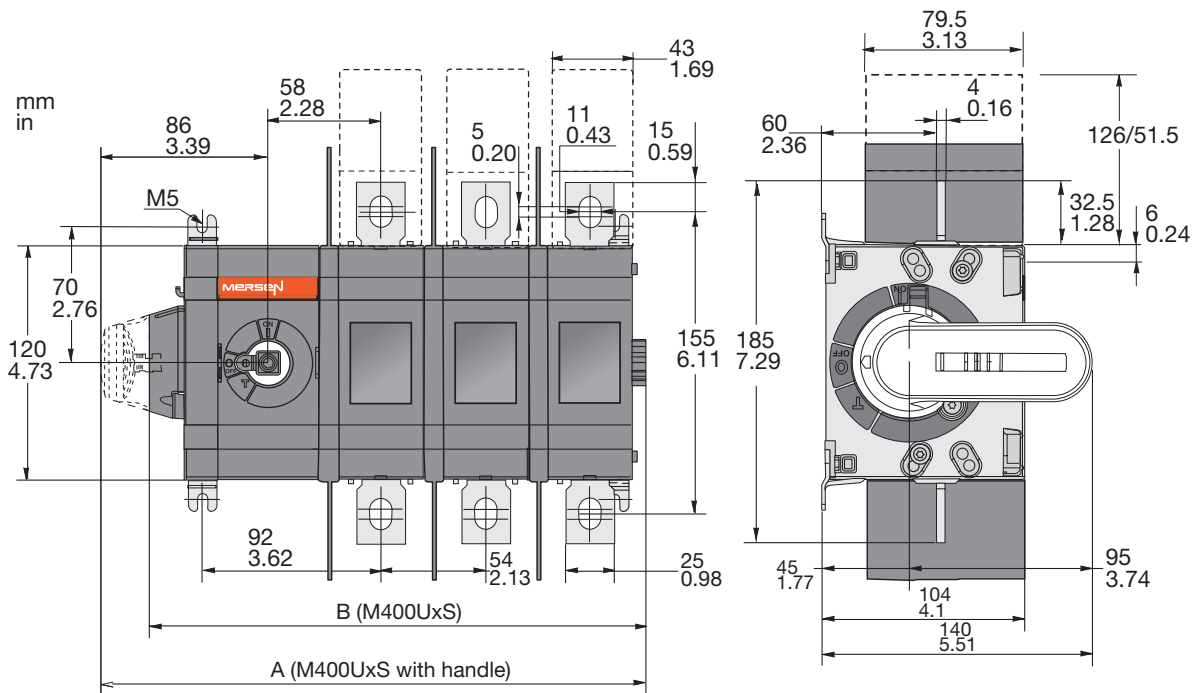
## M315-500xS Non-Fused



	M315/400/500Ex, 03 and 30 configuration			
	ES01	ES02	ES03	ES04
	mm / in	mm / in	mm / in	mm / in
A	163 / 6.42	207 / 8.16	251 / 9.89	295 / 11.62
B	138 / 5.44	182 / 7.17	226 / 8.9	270 / 10.64
A1	95 / 3.74	139 / 5.48	183 / 7.21	227 / 8.94
B1	113 / 4.45	157 / 6.18	201 / 7.92	245 / 9.65
C1	131 / 5.16	175 / 6.89	219 / 8.63	263 / 10.36

# M315-500xS Non-Fused

## M400UxS



M400UxS, 03 or 30 configuration				
	US01K	US02K	US03K	US04K
	mm / in	mm / in	mm / in	mm / in
A	173 / 6.81	227 / 8.94	281 / 11.07	335 / 13.2
B	148 / 5.83	202 / 7.96	256 / 10.08	310 / 12.21
A1	105 / 4.14	159 / 6.26	213 / 8.39	267 / 10.52
B1	123 / 4.85	177 / 6.97	231 / 9.1	285 / 11.23
C1	141 / 5.55	195 / 7.68	249 / 13.75	303 / 11.94

## Clearances per UL98

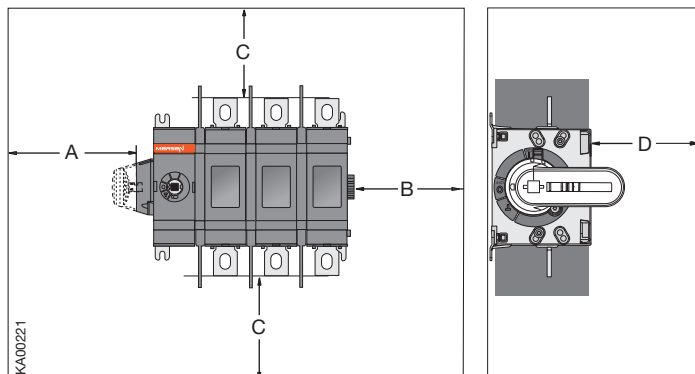
Height mm/in	600/23.6
Width mm/in	350/13.8
Depth mm/in	200/7.9

Minimum enclosure size or equivalent volume

A	0
B	13 mm / 0.5 in
D	13 mm / 0.5 in

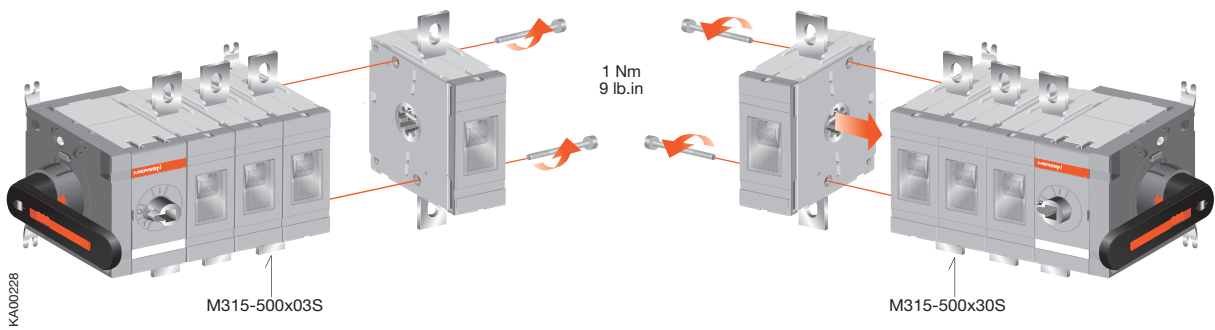
Cable size	
AWG	C
2	100 mm/4 in
1	100 mm/4 in
1/0	125 mm/5 in
2/0	150 mm/6 in
3/0-4/0	175 mm/7 in

MCM	C
250	250 mm / 8 in
300	250 mm / 10 in
350	300 mm / 12 in

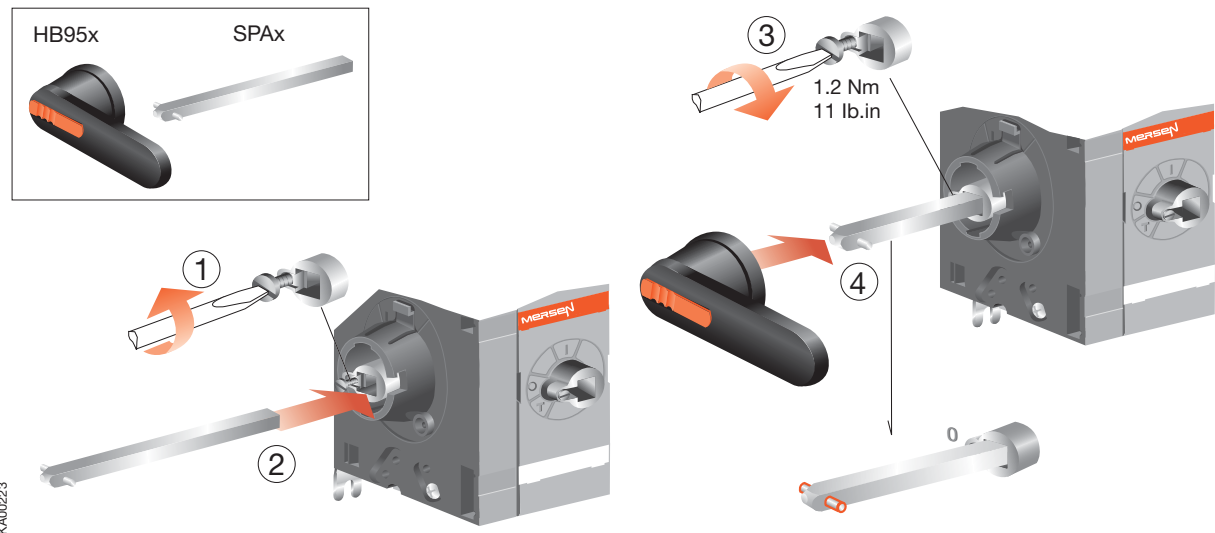


# M315-500xS Non-Fused

## 4Px400 Neutral pole



## Handles / Shafts

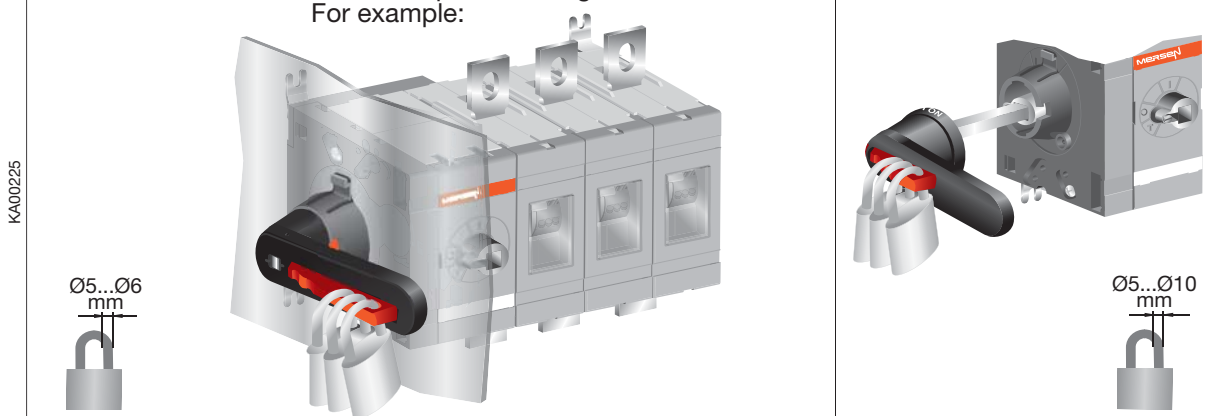


## Handles

Direct side operation

Note: Use protection against direct contact.  
For example:

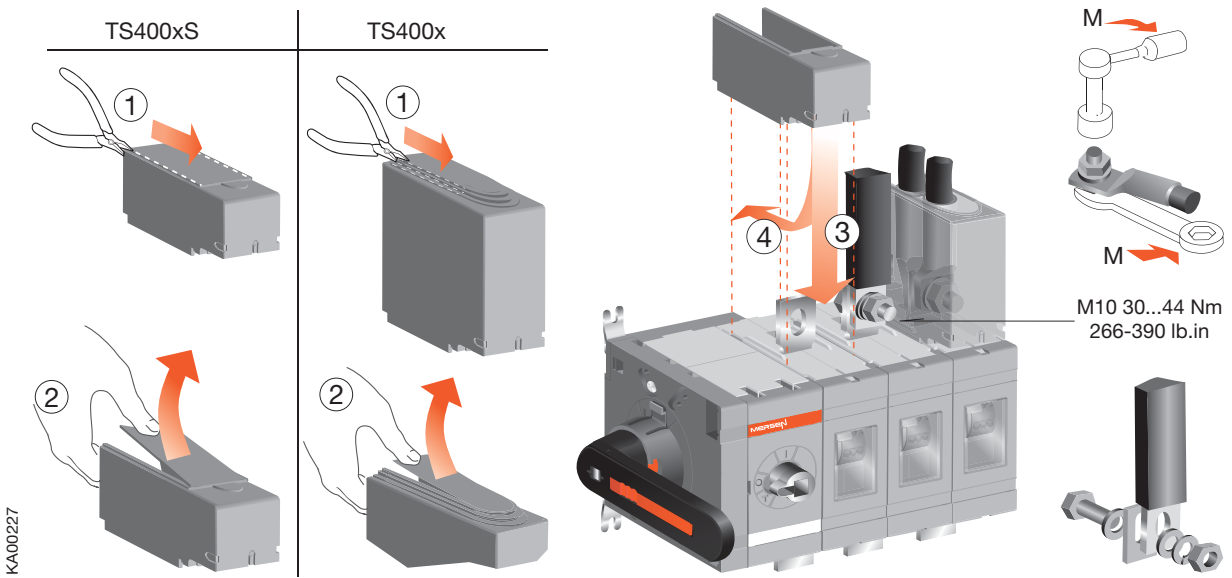
External side operation





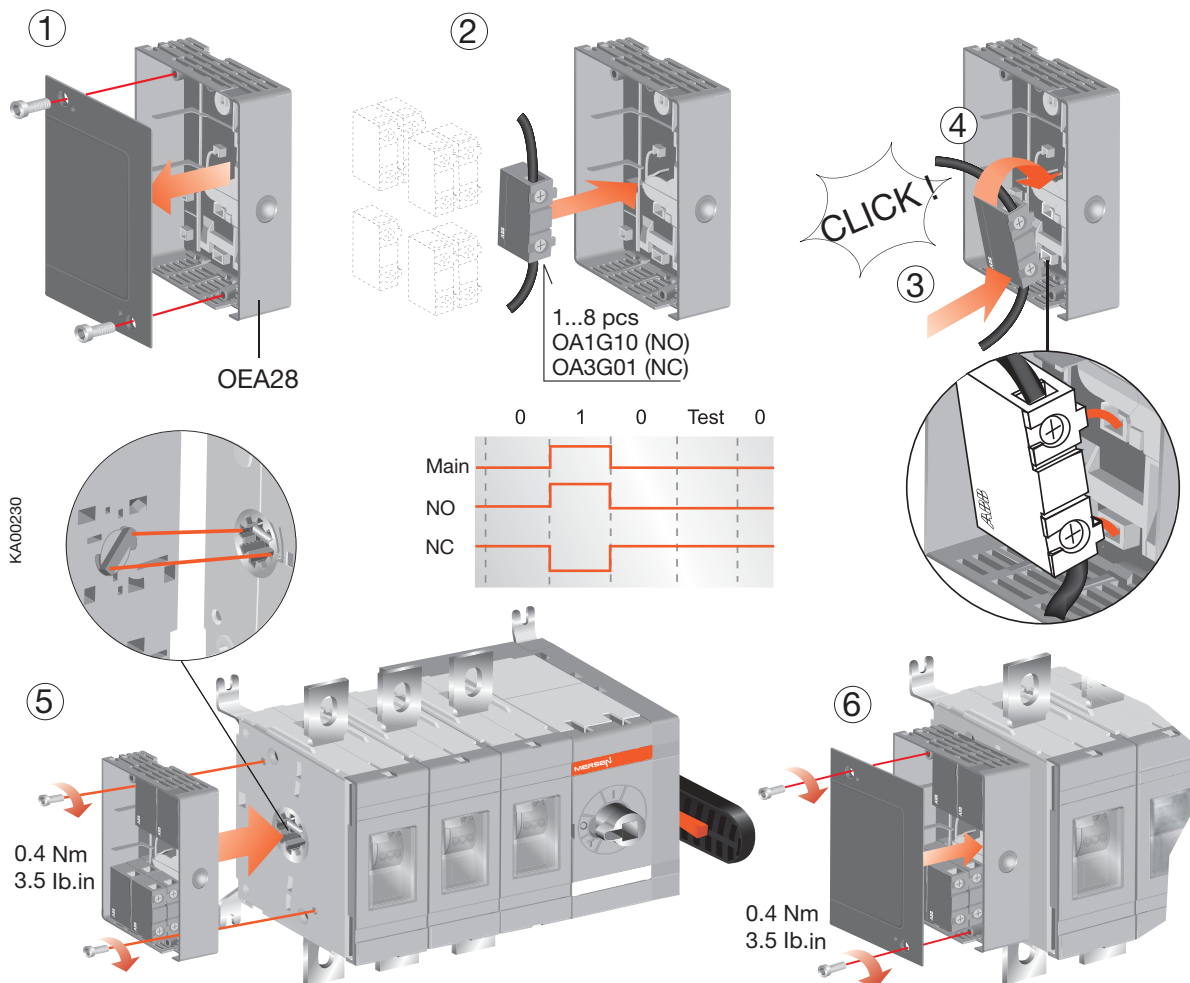
# M315-500xS Non-Fused

## Terminal Shrouds



## Externally-mounted Auxiliary contacts

Note: Only for 10, 20, 30 or 40 configuration.





[ep.mersen.com](http://ep.mersen.com)