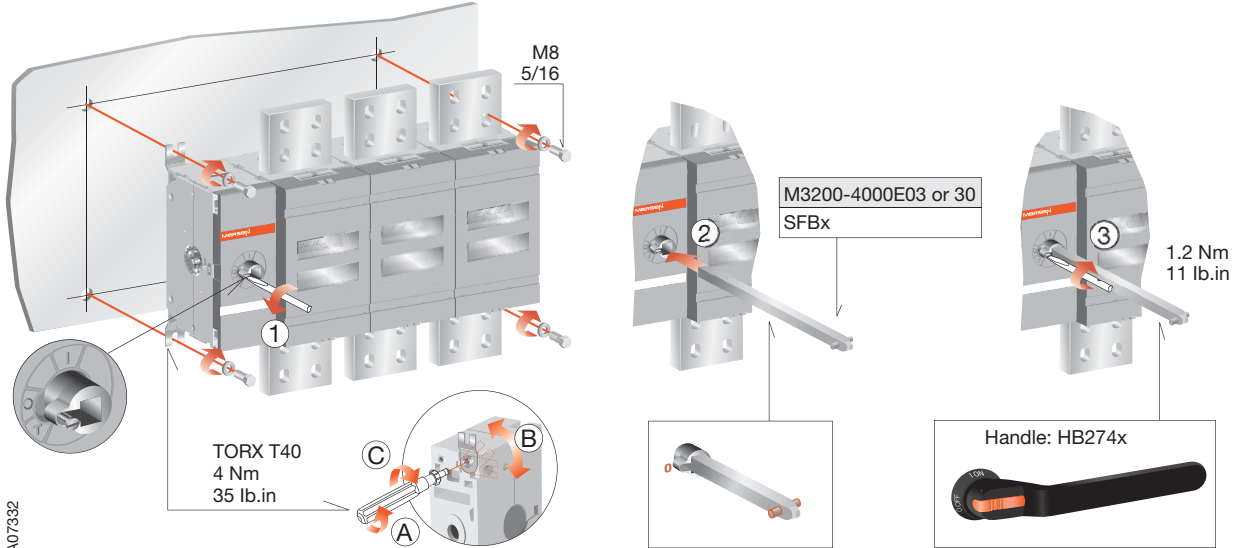
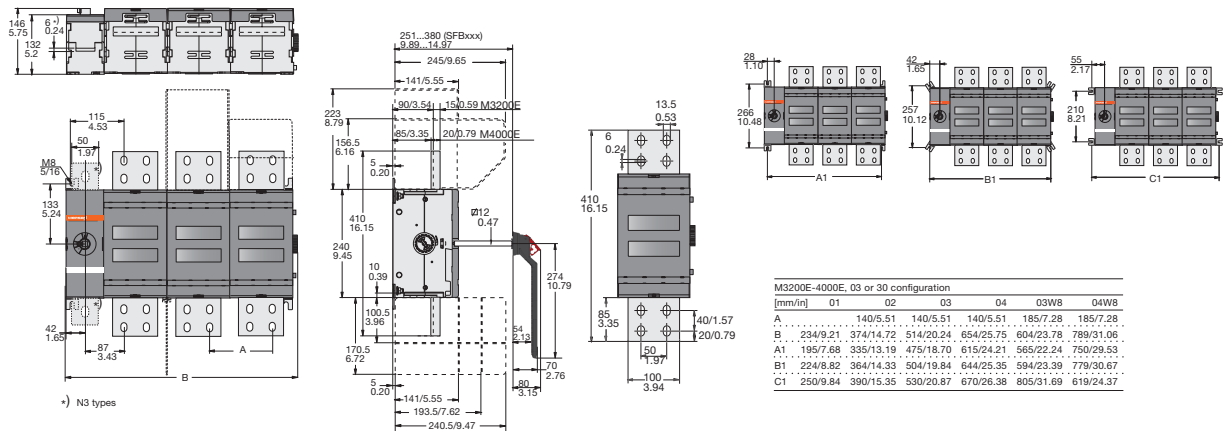


M3200-4000x Non-Fused

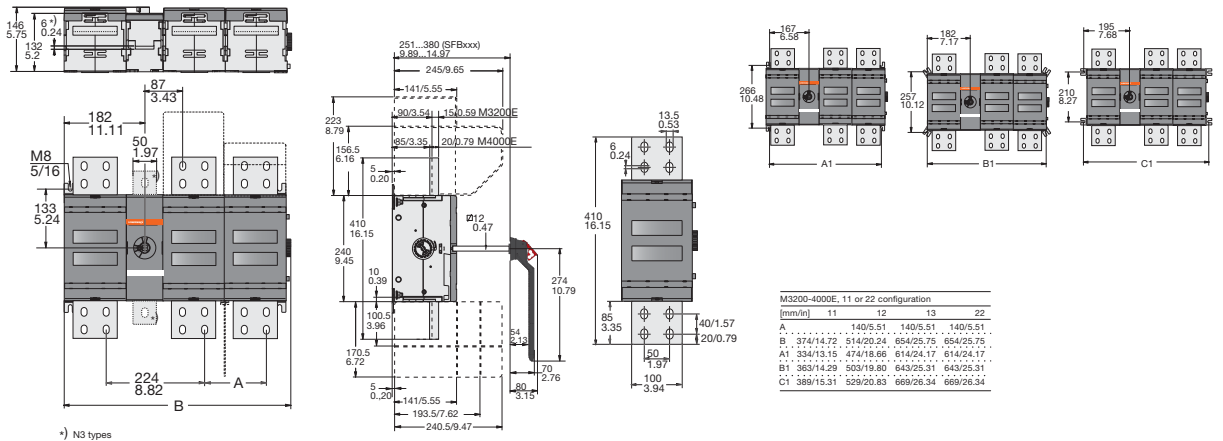
M3200x-M4000x Non-Fused



M3200-4000E, 03 or 30 configuration

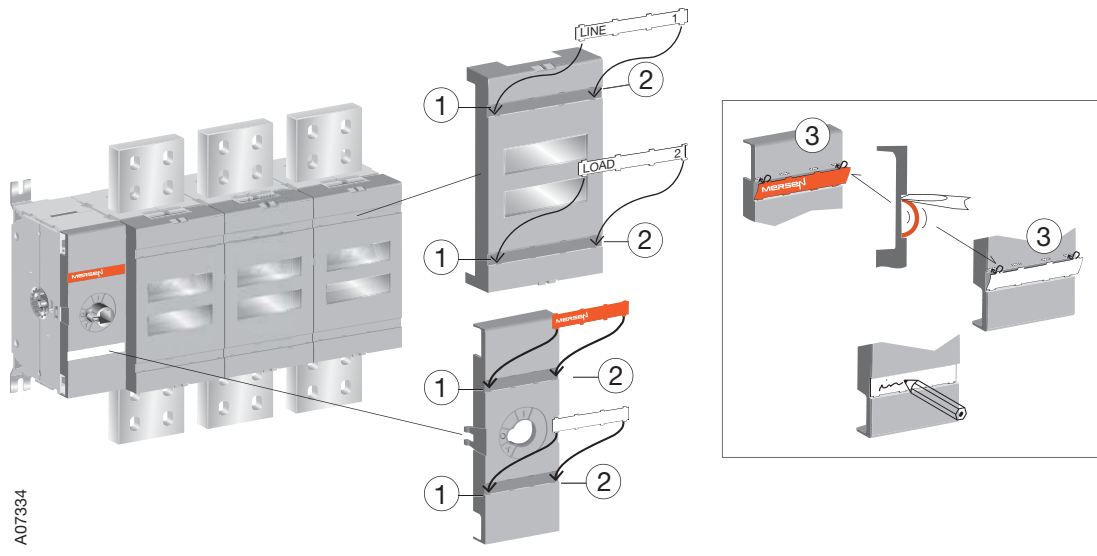


M3200-4000E, 11 to 22 configuration

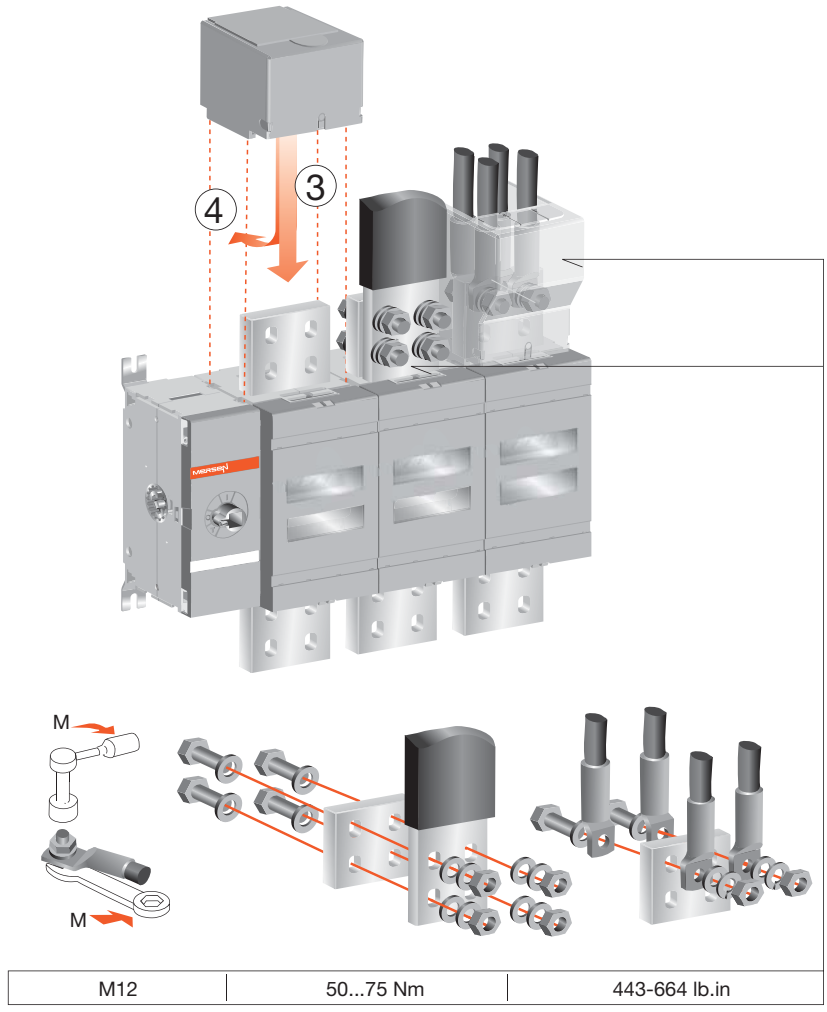
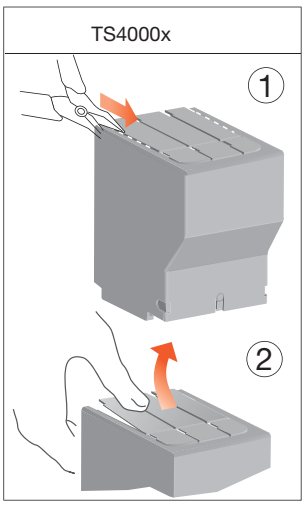
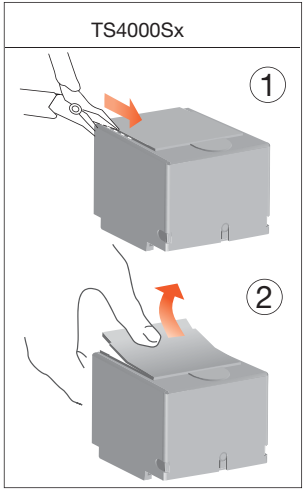


M3200-4000x Non-Fused

Label



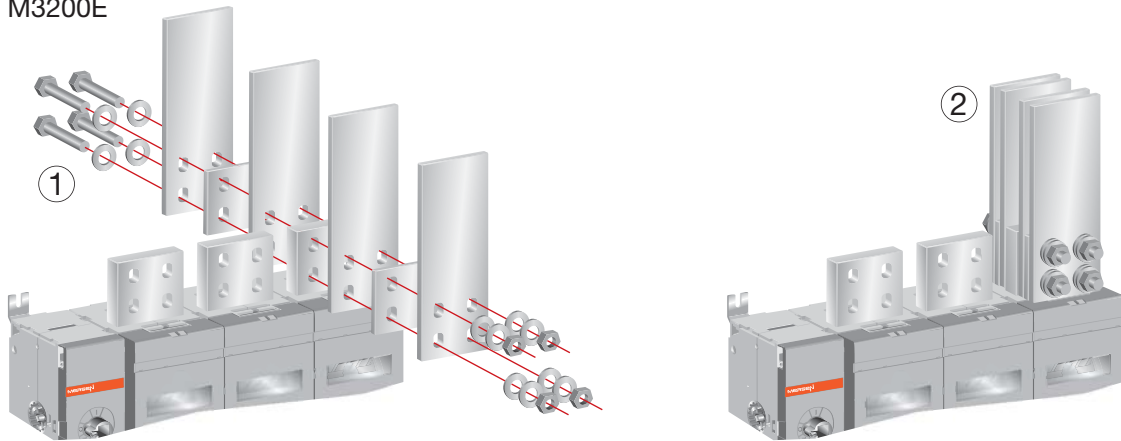
Terminal Shrouds



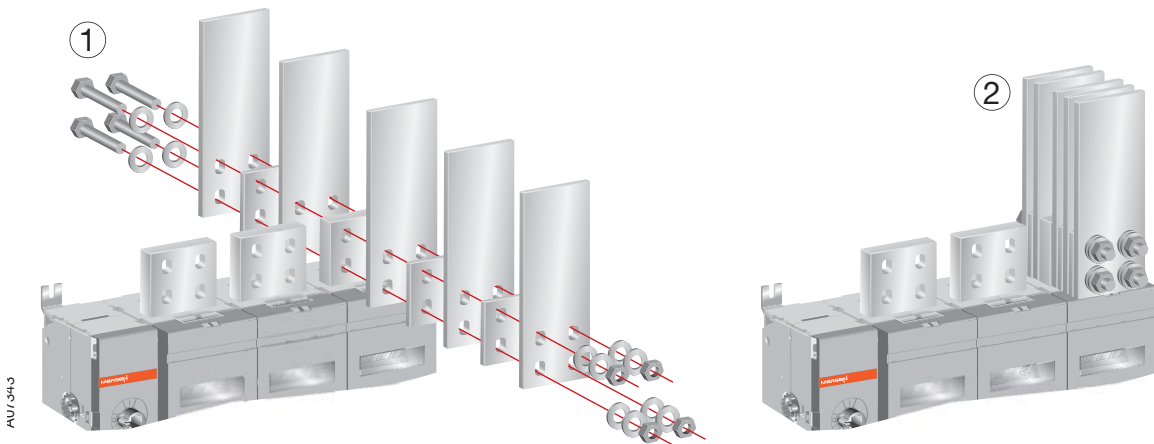
M3200-4000x Non-Fused

M3200E

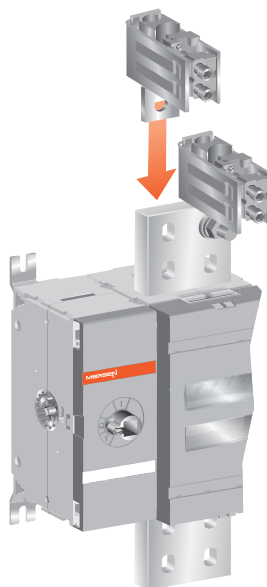
M3200E



M4000E



Lugs



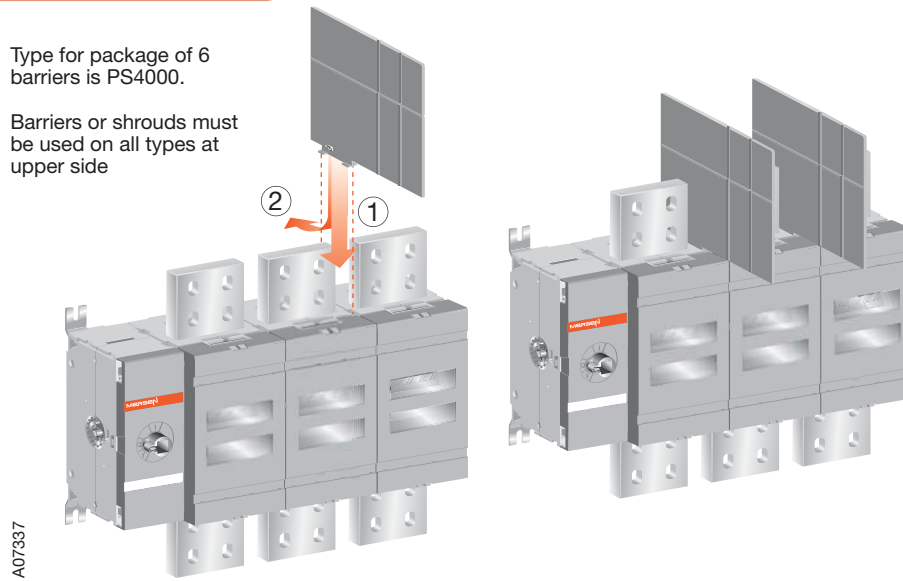
S07333

M3200-4000x Non-Fused

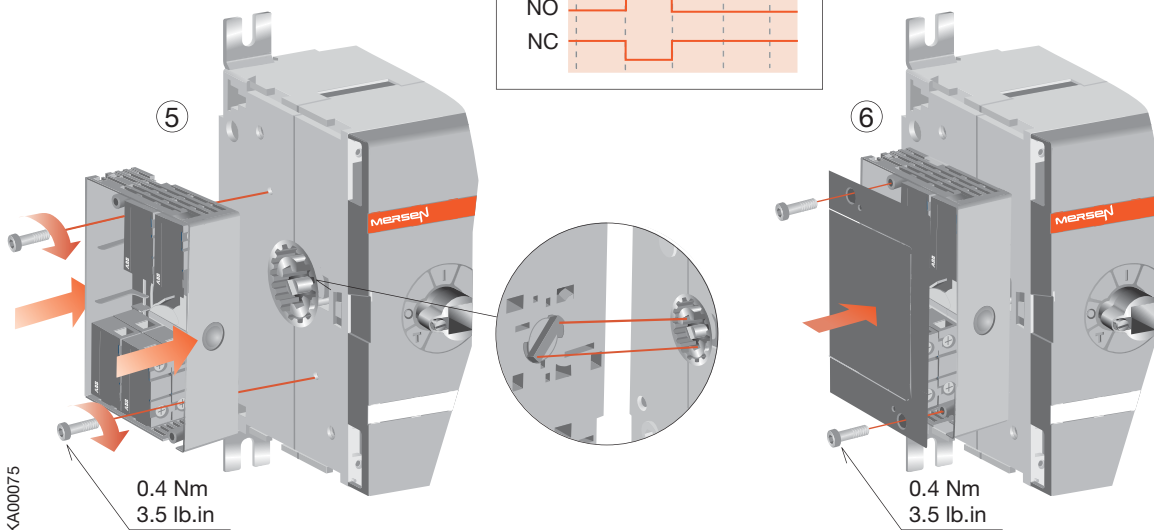
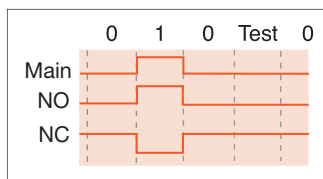
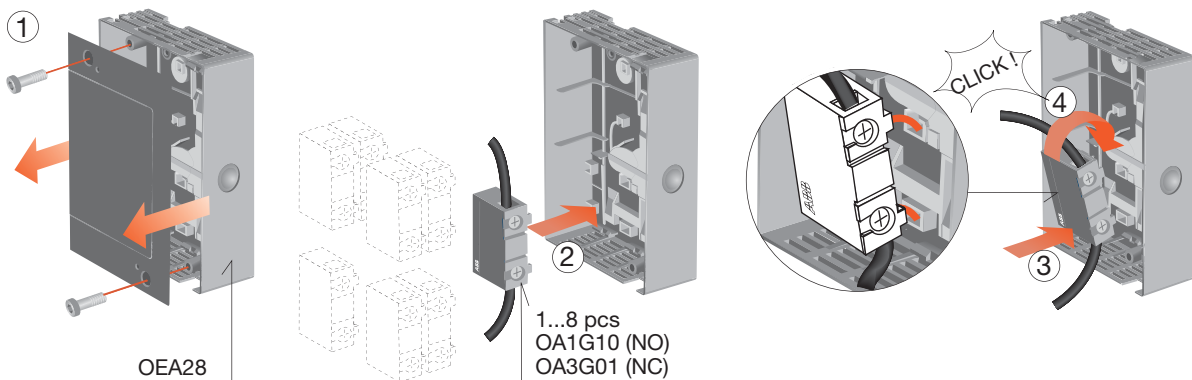
Barriers/Phase separators

Type for package of 6 barriers is PS4000.

Barriers or shrouds must be used on all types at upper side

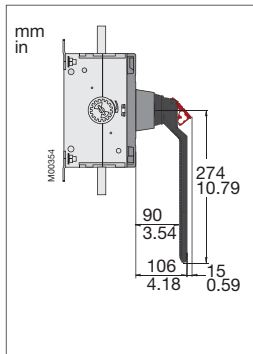
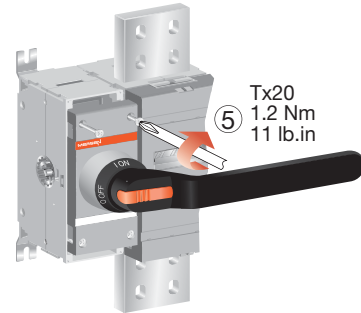
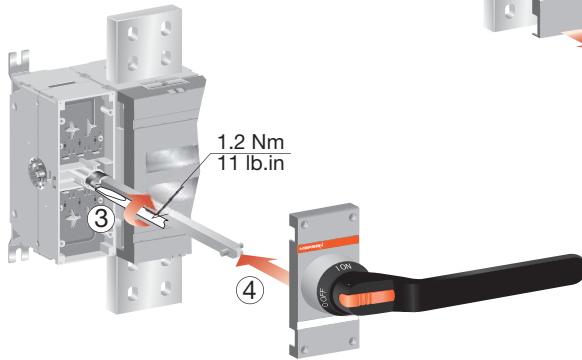
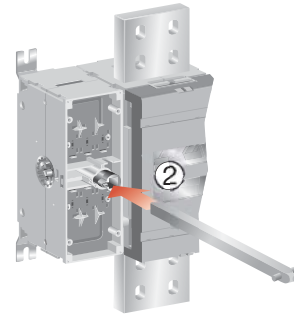
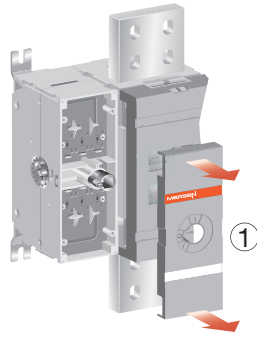


Externally-mounted Auxiliary contacts

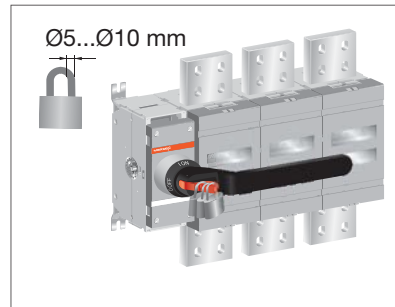


M3200-4000x Non-Fused

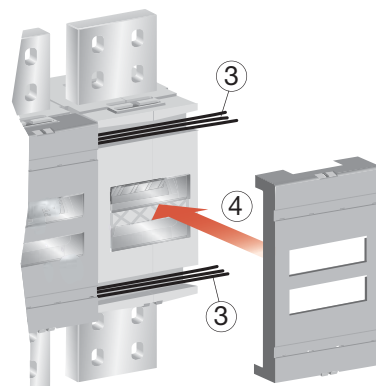
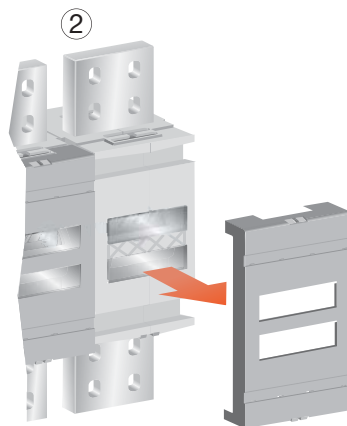
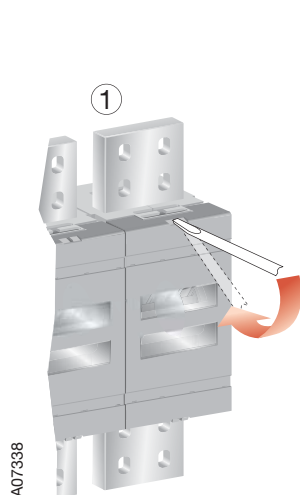
Handle direct



Note: Use protection against direct contact. For example:

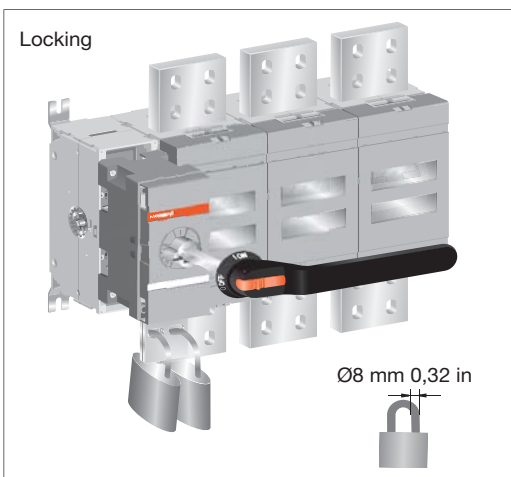
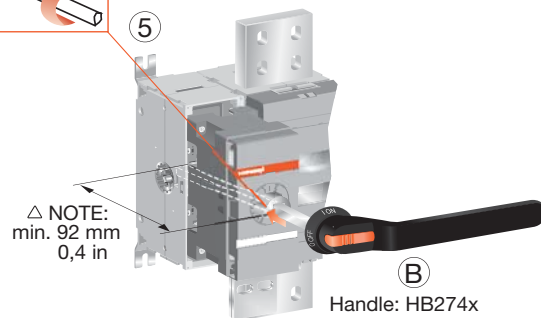
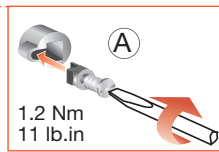
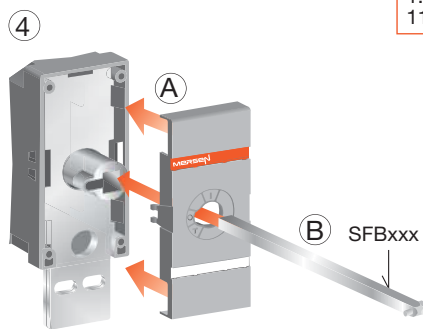
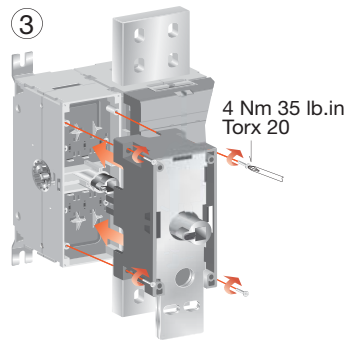
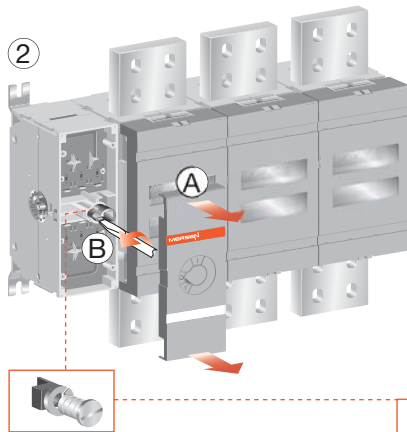
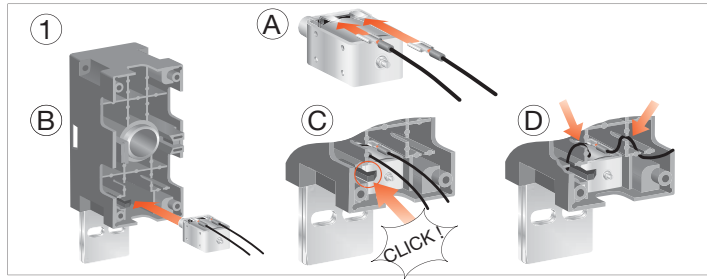
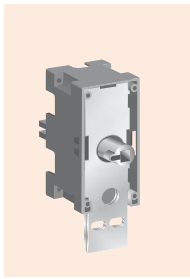


Control wiring



M3200-4000x Non-Fused

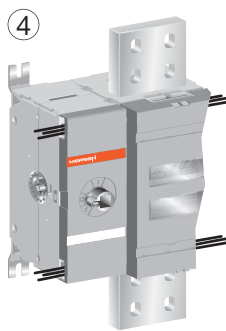
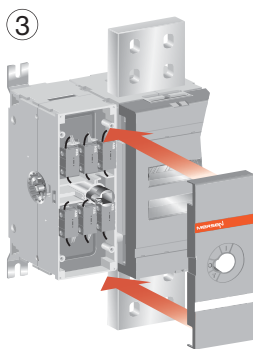
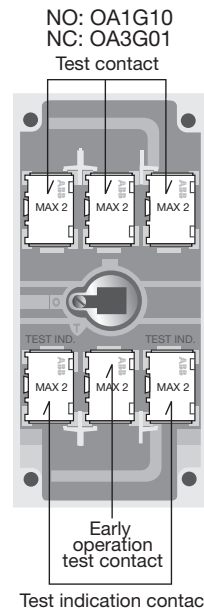
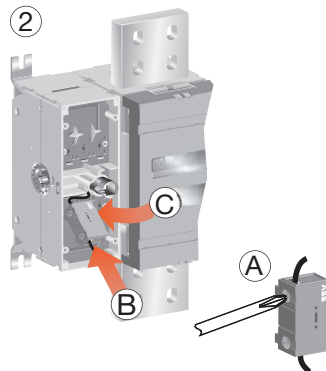
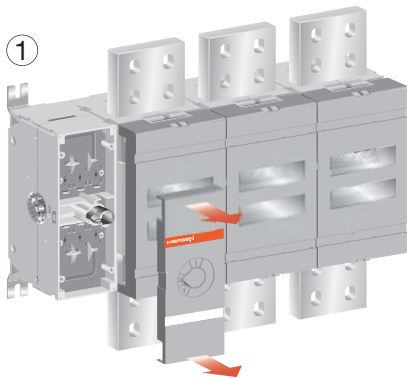
LON2500S LOFF2500S Locking mechanism



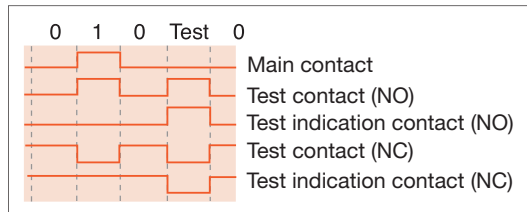
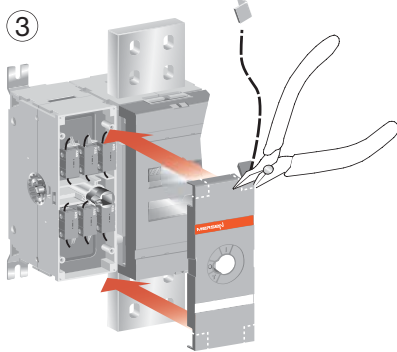
A07340

M3200-4000x Non-Fused

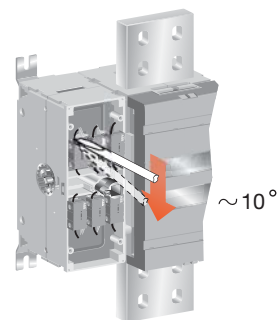
Internally-mounted Auxiliary contacts



OR



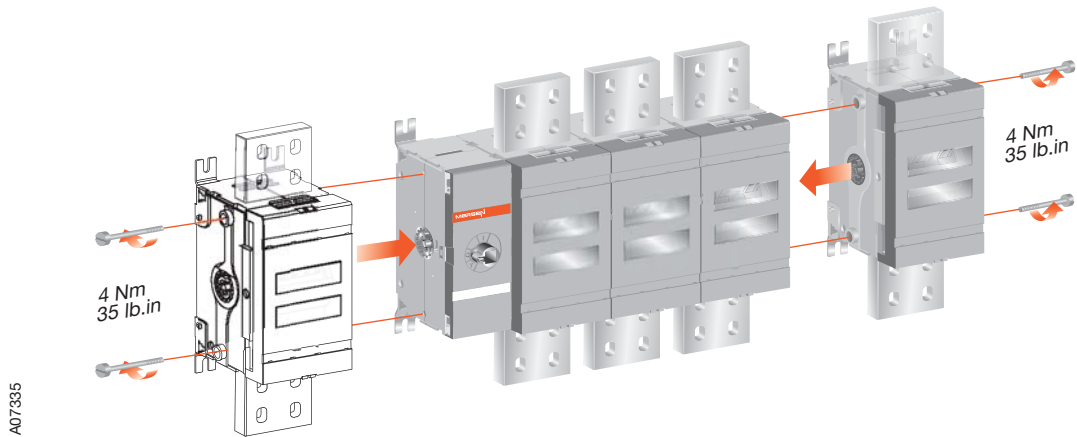
Remove



A07341

M3200-4000x Non-Fused

Fourth pole



4Px4000 Neutral pole

