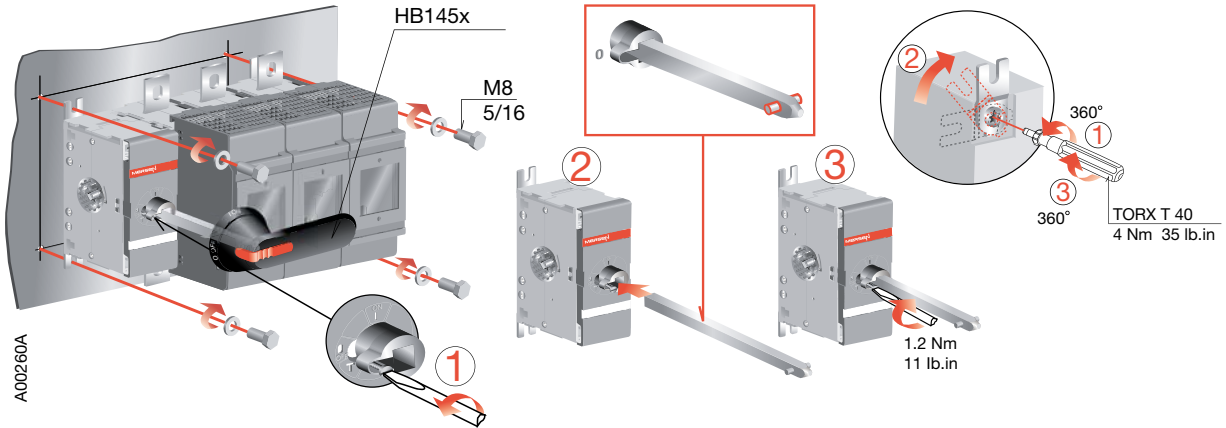
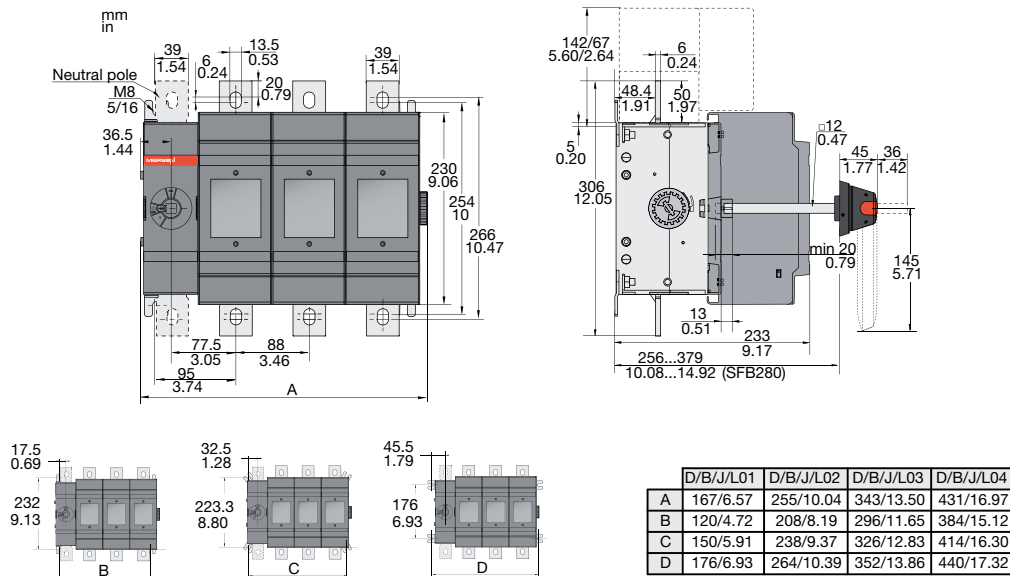


M600x - M800x Fused

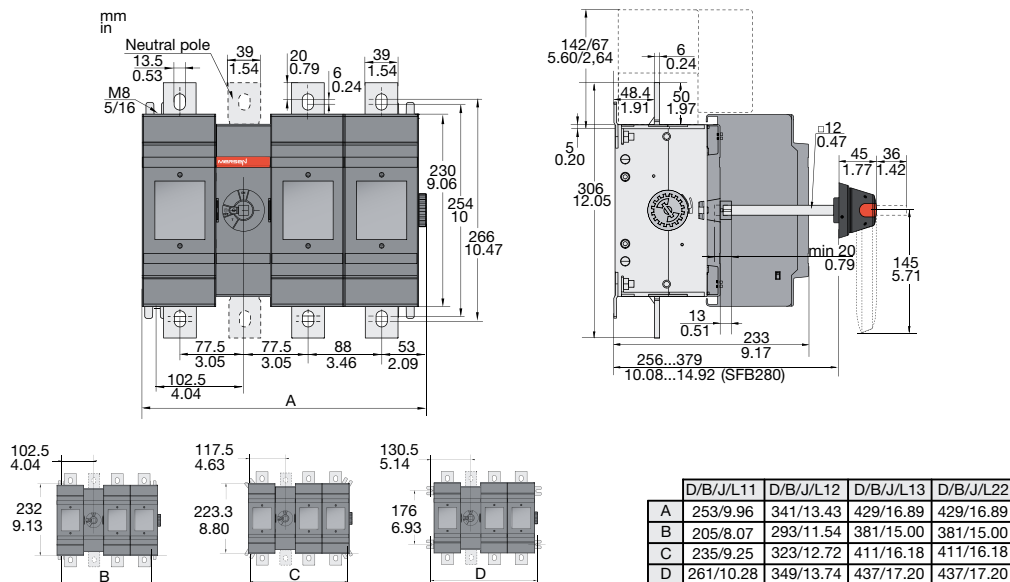
M600x - M800x Fused



For DIN, BS, J and L Fuse types with gearbox on the side

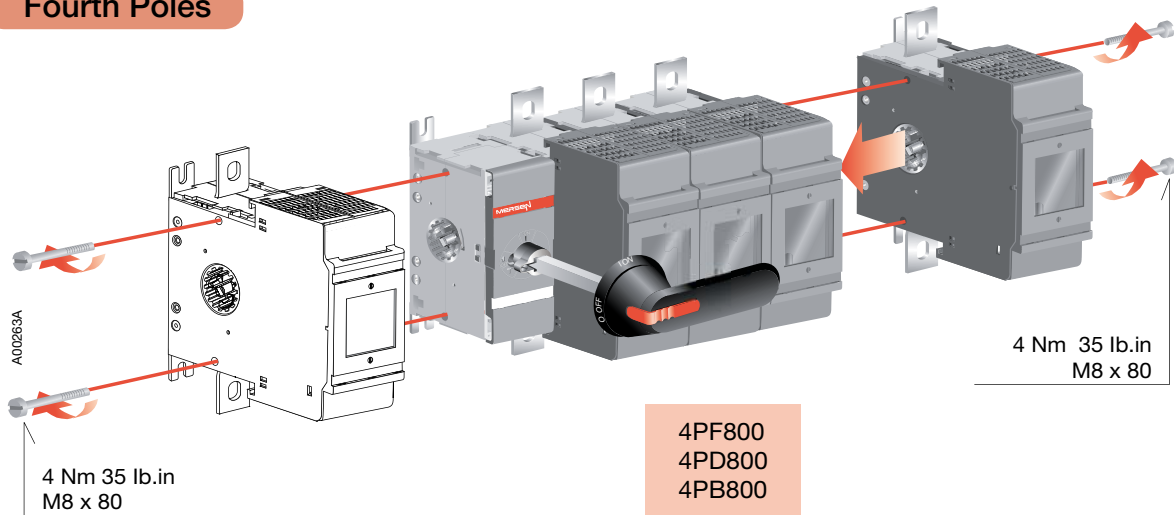


For DIN, BS, J and L Fuse Types with gearbox in the middle

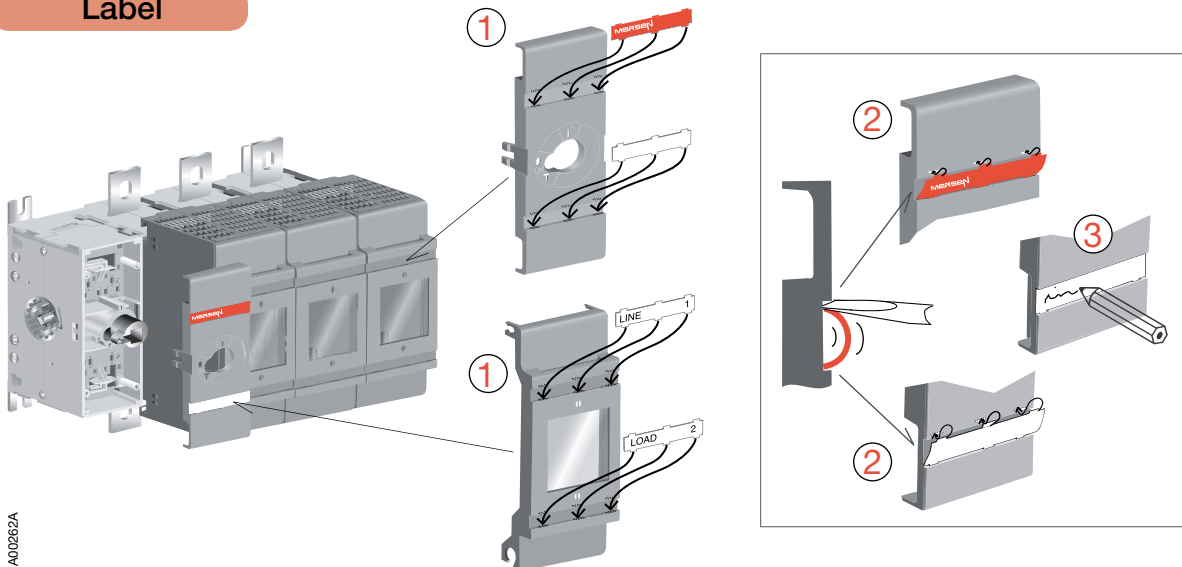


M600x - M800x Fused

Fourth Poles

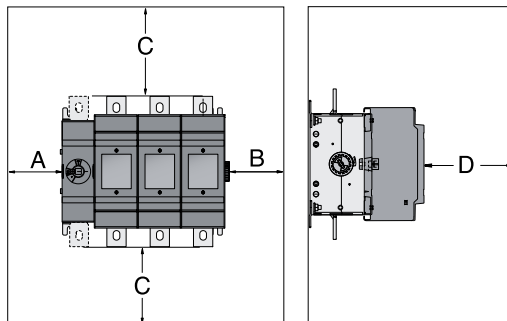


Label



Clearances per UL 98

M600J
M800L



Minimum enclosure size or equivalent volume

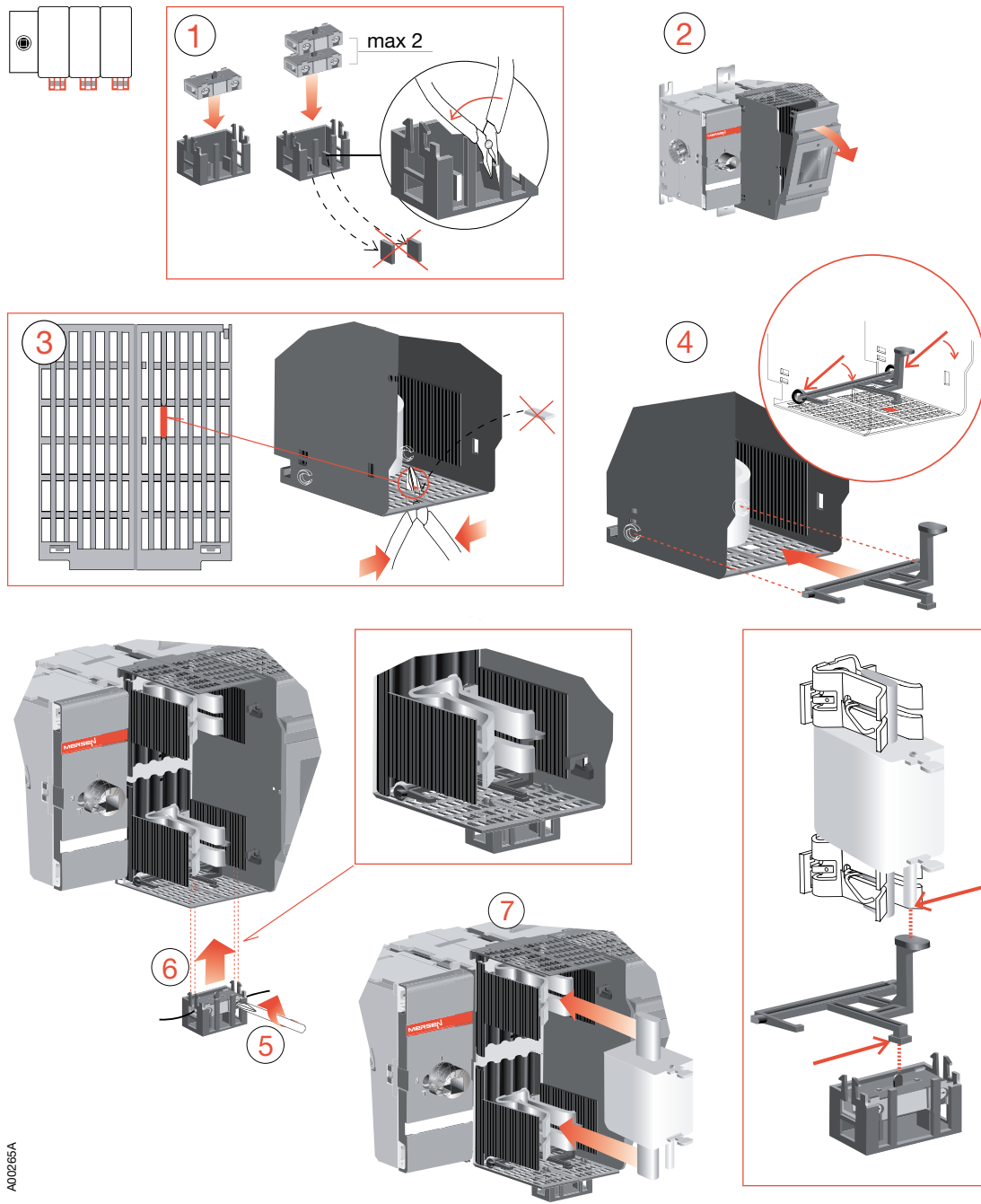
Switch	Height mm/in	Width mm/in	Depth mm/in
M600J	914/36	610/24	254/10
M800L	700/27.5	900/35.4	400/15.7

A	B	D
0	13 mm 0.5 in	13 mm 0.5 in

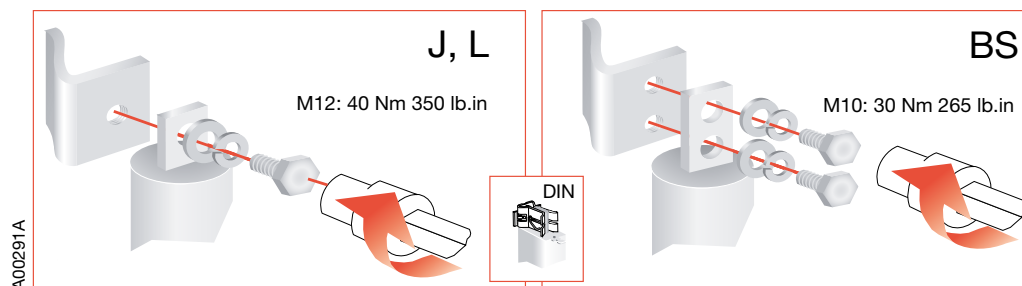
C	
Cable size	
AWG	MCM
2	250
100 mm 4 in	200 mm 8 in
1	300
100 mm 4 in	250 mm 10 in
1/0	350
125 mm 5 in	300 mm 12 in
2/0	400
150 mm 6 in	330 mm 13 in
3/0-4/0	500
175 mm 7 in	356 mm 14 in
	600
	381 mm 15 in

M600x - M800x Fused

Blown Fuse Indicators

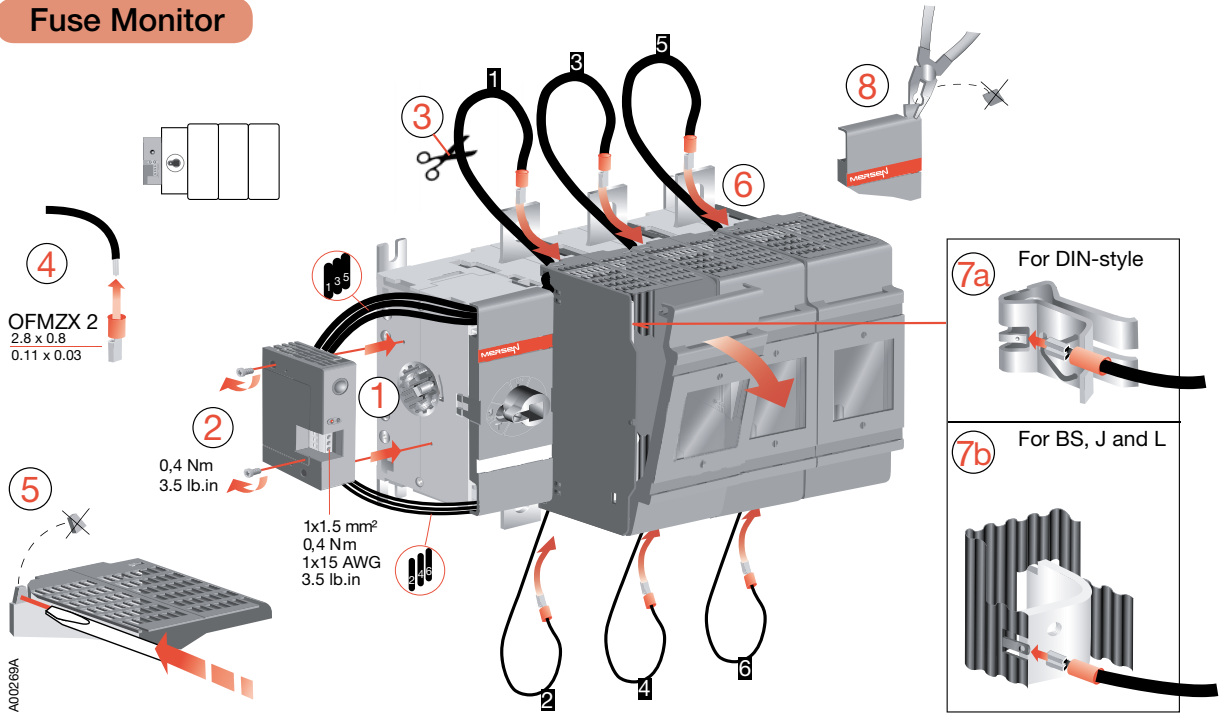


Fuse links



M600x - M800x Fused

Fuse Monitor



Locking Mechanism

