



**MERSEN**  
Expertise, our source of energy

SOLUTIONS FOR  
SAFER PANELS

FINGER SAFE  
POWER  
DISTRIBUTION  
BLOCKS



# FINGER-SAFE POWER DISTRIBUTION BLOCKS



Building on our revolutionary UltraSafe™ fuse holders, we've expanded the safety concept into a line of power distribution blocks — Mersen's Finger-Safe Power Distribution Blocks (FSPDB). The features that today's panel builders demand are available in a "finger-safe" power distribution block offering global acceptance, a compact footprint, and the snap-on simplicity of DIN-rail mounting.

## FSPDBs - 100KA SCCR

With OSHA's increased scrutiny on safety and the requirements of NFPA 70E, it's critical to provide safer panels. And the best way to do so is to use all "finger-safe" components. This eliminates the need for more costly methods such as mounting plexiglass sheets to cover the entire panel.

Whether it's for new designs or retrofits, when panel builders and OEMs think safety, they think Mersen. And no wonder. With "finger-safe" components ranging from our line for the incoming main disconnect switch, our popular UltraSafe fuse holders, and our FSPDB line of power distribution blocks, Mersen has a solution for all your panel's safety needs.

## FEATURES & BENEFITS

**"Finger-safe" design** – Fully covered block ensures that no one can touch it. Fingers simply can't touch live parts.

**Global acceptance** – The FSPDB line is UL, CSA, and IEC compliant. CE Marking ensures acceptance throughout the European community.

**Mounting feet** – Means for direct panel mounting provides additional flexibility.

**Captive set screws** – Unique channel design ensures the captivity of the wire termination set screws. Screws can never be lost.

**Cap plugs** – Convenient accessory provides the ability to maintain touch safety on unused openings.

**Multiple-pole assembly** – If desired for panel mounting, simply snap in accessory pin for rigid fit.

**DIN rail mounting** – Integral design allows for quick and easy installations on 35mm DIN rail.

**Compact modularity** – Single, two, three or multiple pole configurations in the most compact footprint.

**Circuit identifications** – Optional marker system allows users to easily ID their circuits.

## AGENCY APPROVALS

- UL Recognized Component - File E73571, Guide XCFR2
- CSA Certified - Class 6228, File 69363
- IEC-947-7-1, 529, 68-2-6, CE Marked.

# SOLUTIONS FOR SAFER PANELS

## CATALOG NOMENCLATURE AND RATINGS

Catalog Number		Ampere Rating (Based on NEC Table 310 - 16 for 75 °C Cu wire)	Line			Load			SCCR	Max Required Overcurrent Protection Fuse Amperage					
Aluminum (90 °C Cu/ AL wire)	Copper (75 °C Cu wire only)		Wire Range		Openings per Pole	Wire Range		Openings per Pole		Class J (AJT)	Class T (A3T/ A6T)	RK1 (A2D/ A6D, A2K/ A6K)	RK5 (TR/ TRS)	Class G (AG)	Class CC (ATDR, ATQR, ATMR)
			AWG/ kcmil	mm <sup>2</sup>		AWG/ kcmil	mm <sup>2</sup>								
FSPDB1A	FSPDB1C	175	2/0 - #14	70 - 2.5	1	2/0 - #14	70 - 2.5	1	100kA	200A	200A	200A	100A	60A	30A
FSPDB2A	FSPDB2C	175	2/0 - #14	70 - 2.5	1	#2 - #14	35 - 2.5	4	100kA	200A	200A	200A	100A	60A	30A
FSPDB3A	FSPDB3C	310	350 - #6 2/0 - #14	185 - 16 70 - 2.5	1	#8 - #14	35 - 2.5	8	100kA	400A	400A	400A	200A	60A	30A
FSPDB4A	FSPDB4C	335	400 - #6	185 - 16	1	400 - #6	185 - 16	1	100kA	400A	400A	400A	200A	60A	30A
FSPDB5A	FSPDB5C	840	600 - #4	300 - 25	2	600 - #4	300 - 25	2	100kA	400A	400A	400A	200A	60A	30A

Mersen PDBs meet the latest UL508A and NEC requirements with 100kA short circuit current rating with proper fusing.

## OUTLINE DIMENSIONS

Dimension	FSPDB1A FSPDB1C Figure 1		FSPDB2A FSPDB2C Figure 1		FSPDB3A FSPDB3C Figure 2		FSPDB4A FSPDB4C Figure 1		FSPDB5A FSPDB5C Figure 2	
	mm	in	mm	in	mm	in	mm	in	mm	in
A	25.4	1.00	28.4	1.12	46.9	1.85	39	1.54	72	2.84
B	43.3	1.70	57.8	2.28	64.3	2.53	108	4.25	91	3.58
C	49.5	1.95	56.0	2.21	64.3	2.53	80	3.15	80	3.15
D	45.1	1.78	51.6	2.03	59.8	2.36	75.5	2.97	-	-
E	39.4	1.55	39.4	1.55	51.5	2.03	50.1	1.97	50.1	1.97
F	72.6	2.86	87.7	3.45	100.8	3.97	145.5	5.73	145	5.71
G	59.6	2.35	74.6	2.94	82.4	3.24	120.6	4.75	127.5	5.02
H	5.2	0.21	5.1	0.20	6.5	0.26	7	0.28	3	0.12
I	-	-	-	-	31.5	1.24	-	-	52	2.04
J	5.3	0.21	6.4	0.25	6.5	0.26	6.5	0.26	6.5	0.26
K	10	0.40	11.7	0.46	8.9	0.35	16	0.63	8.5	0.34

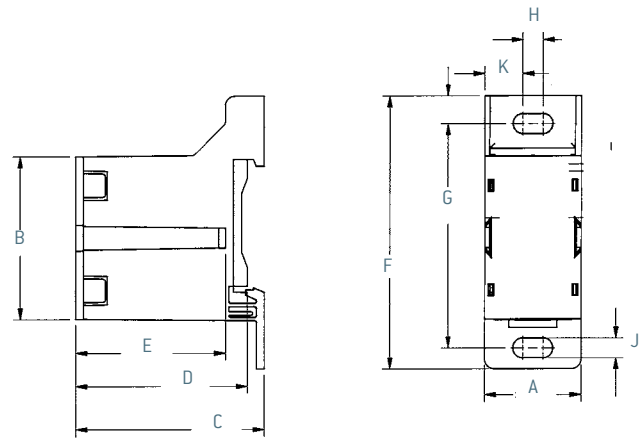


Figure 1

## ACCESSORIES

Catalog #	Description
FSPIN1	Accessory pin to form multiple pole block
FSCIM1	Circuit identification marker for 2/0 & #2 max conductors
FSCIM2	Circuit identification marker for 350, 400 & 600 km max conductors
FSCAP1	Cap plug for spare 2/0 openings
FSCAP2	Cap plug for spare 350 kcmil openings
FSEA	Pair of end anchors

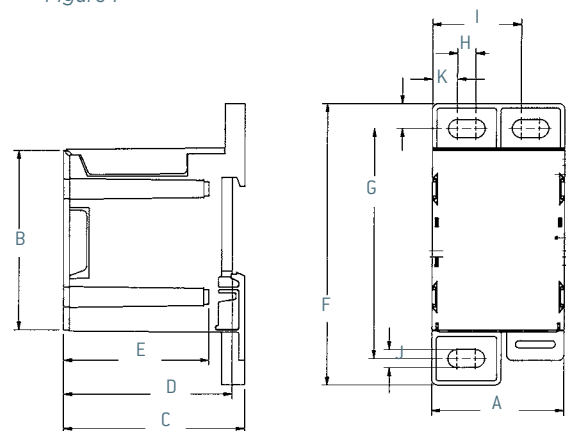


Figure 2

## TO LEARN MORE...

For more information about our Finger-Safe Power Distribution Blocks — the next generation in panel safety — visit [ep.mersen.com](http://ep.mersen.com), contact your Mersen representative, or call us today at 978-462-6662.



MERSEN IS A GLOBAL EXPERT  
IN ELECTRICAL POWER AND  
ADVANCED MATERIALS

#### NORTH AMERICA

**USA**  
Mersen USA  
374 Merrimac Street  
Newburyport, MA 01950  
T : +1 978 462 6662

**CANADA**  
Mersen Canada  
6200 Kestrel Road  
Mississauga, ON L5T 1Z1  
T : +1 416 252 9371

#### EUROPE

**FRANCE**  
Mersen France SB S.A.S.  
15 rue Jacques de Vaucanson  
F-69720 Saint-Bonnet-de-Mure  
T : +33 4 72 22 66 11

#### ASIA

**CHINA**  
Mersen Shanghai  
No.55-A6. Shu Shan Road  
Songjiang 201611 Shanghai  
T : +86 21 6760 2388



[EP.MERSEN.COM](http://EP.MERSEN.COM)