

## 1- PURPOSE

This product family is in the scope of European Union directive 2012/19/EU on Waste Electrical and Electronic Equipment (WEEE). The product family must be disposed according to the legislation of the country. This document is intended for use by end of life recyclers or treatment facilities. It provides the basic information to assure an appropriate end of life treatment for the components and materials of the product.

This **End of life sheet** is defined according to requirements to **ANNEX VII of directive 2012/19/EU on waste electrical and electronic equipment (WEEE)**.

## 2- PRODUCT DISASSEMBLY INSTRUCTIONS

Most parts can be removed easily by hand. In some cases, common tools such as Philips/Torx and/or flat-head screw drivers may be necessary. To remove discrete components such as the varistors, needle-nose pliers may be helpful.

The recommendation is to be depolluted by relevant recyclers.

## 3- PRODUCT MATERIAL INFORMATION

The following substances, preparations, or components should be disposed of or recovered separately from other WEEE:

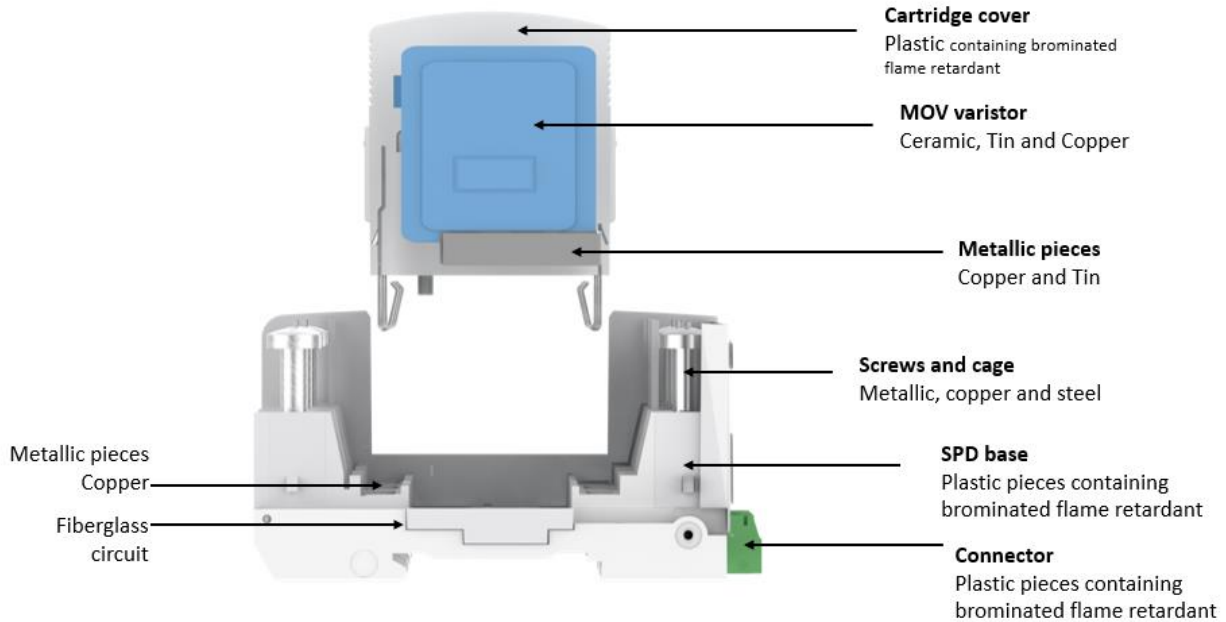
### 3-1 Printed circuit boards > 10 cm<sup>2</sup>

### 3-2 Plastics containing brominated flame retardant

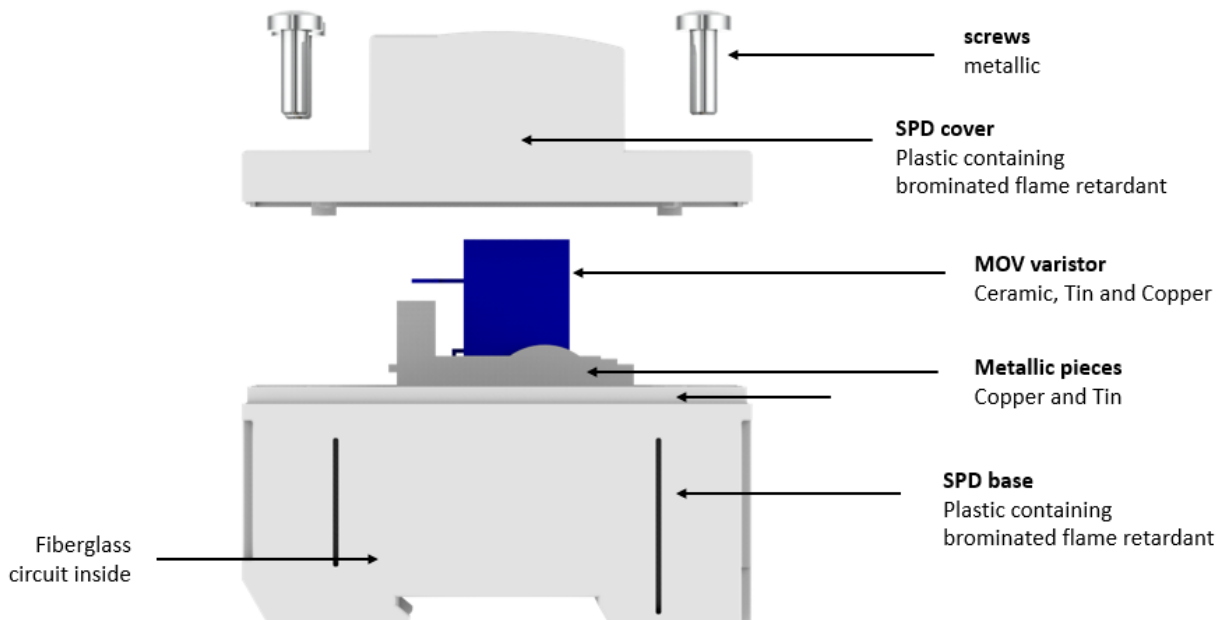
See below the material description for each product range

SPD SCHEMATIC DRAWING:

Product range: **Surge-Trap® pluggable SPD**



Product range: **Surge-Trap® Monobloc SPD**



Product range: **Surge-Trap® STL range**

