

PRODUCT RANGE: D01 Fusegear

1- PURPOSE

This product family is in the scope of European Union directive 2012/19/EU on Waste Electrical and Electronic Equipment (WEEE). The product family must be disposed according to the legislation of the country. This document is intended for use by end of life recyclers or treatment facilities. It provides the basic information to assure an appropriate end of life treatment for the components and materials of the product.

This **End of life sheet** is defined according to requirements to **ANNEX VII of directive 2012/19/EU on waste electrical and electronic equipment (WEEE)**

2- PRODUCT DISASSEMBLY INSTRUCTIONS

Most parts can be removed easily by hand. In some cases, common tools such as Philips/Torx and/or flat-head screw drivers may be necessary. The recommendation is to be depolluted by relevant recyclers.

3- PRODUCT MATERIAL INFORMATION

The following substances, preparations, or components should be disposed of or recovered separately from other WEEE:

3-1 printed circuit boards > 10 cm²

→ USCC, USGCC, USM, USGM, and dead front cover fuse holder products with monitoring device used for indication facilities



Date : 12/2/2021

Published by :
Mersen USA
374 Merrimac Street
Newburyport, MA 01950
USA

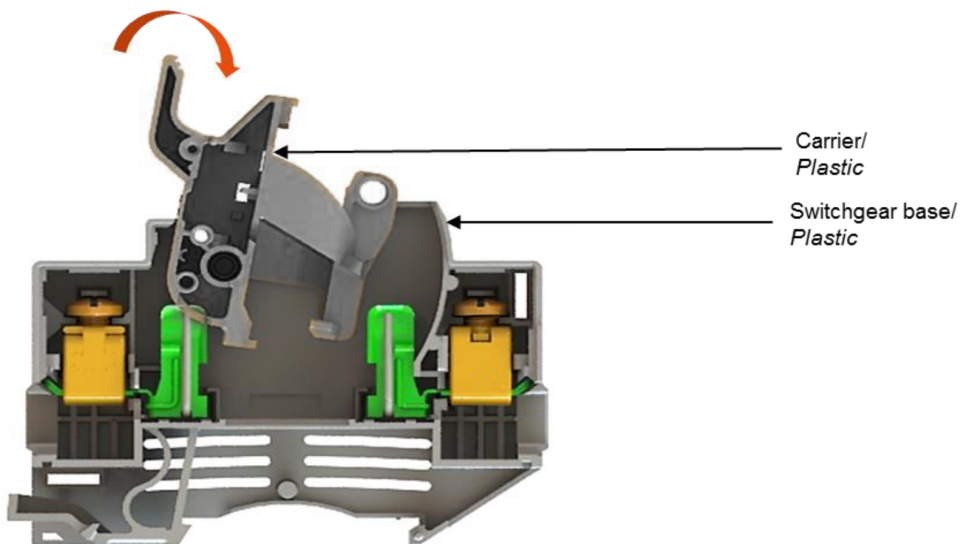
PRODUCT RANGE: D01 Fusegear

3-2 Plastic containing brominated flame retardant

→ Some plastic parts of fuse holder products



Product Types	Plastic parts
Ultrasafe fuse holder	carrier and housing
PV fuse holder	carrier and housing



Date : 12/2/2021

Published by :
Mersen USA
374 Merrimac Street
Newburyport, MA 01950
USA