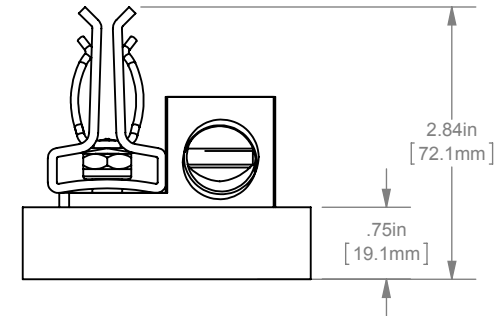
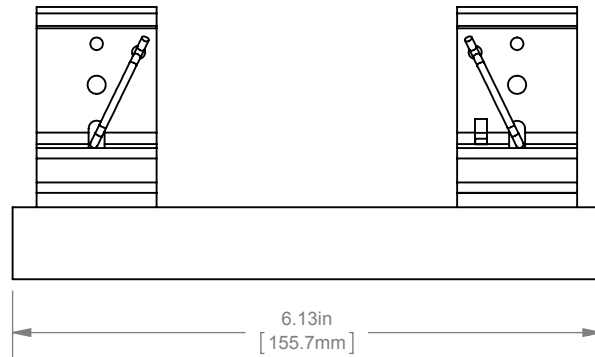
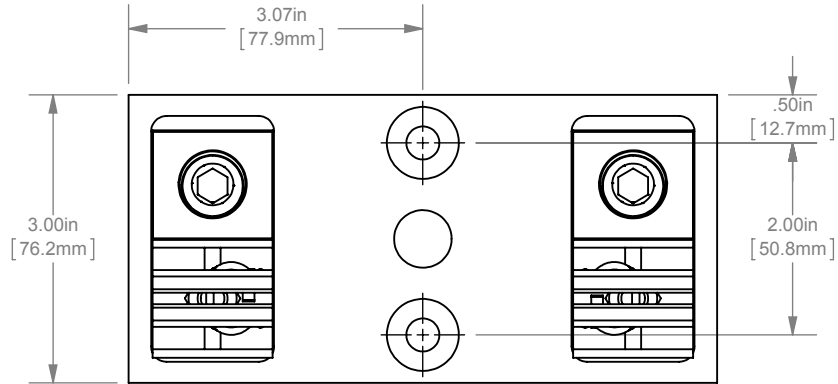


REV.	DATE	ECO	DESCRIPTION	BY	CK	APP
A	1/17/2014	N/A	REDRAWN IN SOLIDWORKS; ADDED 62051J	GDR	N/A	N/A



NOTES:

1. MATERIAL COMPOSITION AND RATING:
BASE - THERMOPLASTIC 125°C RTI
2. ALL TOLERANCES ±.010 UNLESS OTHERWISE NOTED

62051J	CU BOX	200K	275	75	CU	E52283	IZLT	LR32169
62001J	AL BOX	200K	375	75	CU-UL	E52283	IZLT	LR32169
P/N	CONN TYPE	RMS SYM RATIN	TORQUE (IN-LBS)	°C	TYPE	FILE NO.	GUIDE NO.	REPORT NO.
				WIRE				

DIMENSIONS IN [] ARE MILLIMETERS



MERSEN USA NEWBURYPORT-MA, LLC
374 MERRIMAC STREET
NEWBURYPORT, MA 01950

62001J, 62051J

FUSE BLOCK, 1P CLASS J

200A 600V

OUTLINE DIMENSIONS
NOT TO BE USED FOR PRODUCTION

700508

PRODUCT MANAGER

SIGN:

DATE:

DESIGN ENGINEER

SIGN:

DATE: (SEE ECO)