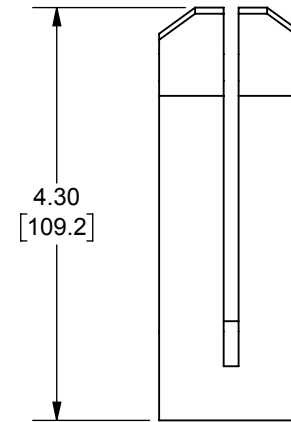
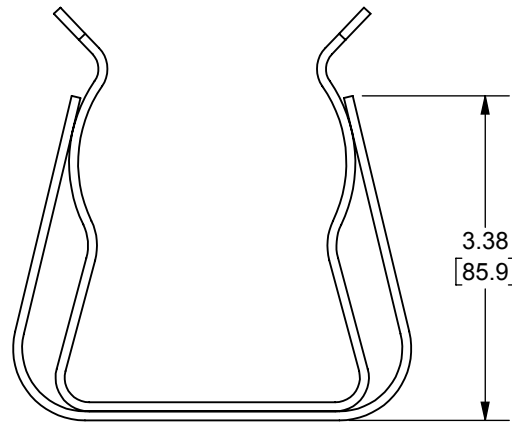
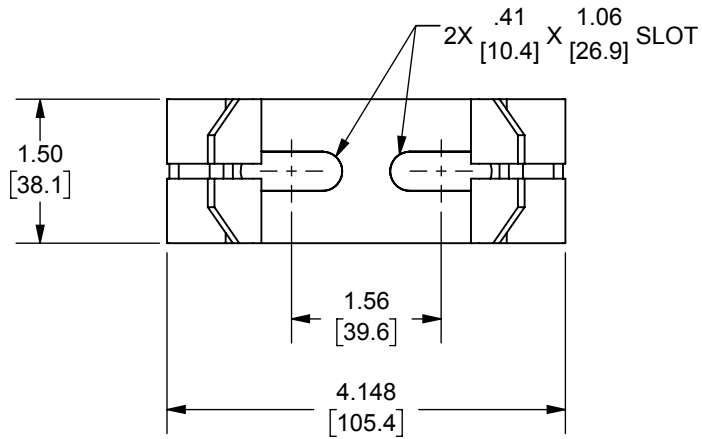


REV.	DATE	ECO	DESCRIPTION	BY	CK	APP
B	1/22/20	N/A	REDRAWN	GDR	N/A	N/A



DIMENSIONS IN [] ARE MILLIMETERS



MERSEN USA NEWBURYPORT-MA, LLC
374 MERRIMAC STREET
NEWBURYPORT, MA 01950

PRODUCT MANAGER

SIGN: B.BETTS

DATE: 1/29/2020

DESIGN ENGINEER

SIGN: K.HORNE

DATE: 1/28/2020

CAT. NO. 228-700-530

3" MEDIUM VOLTAGE CLIP

OUTLINE DIMENSIONS
NOT TO BE USED FOR PRODUCTION

700580