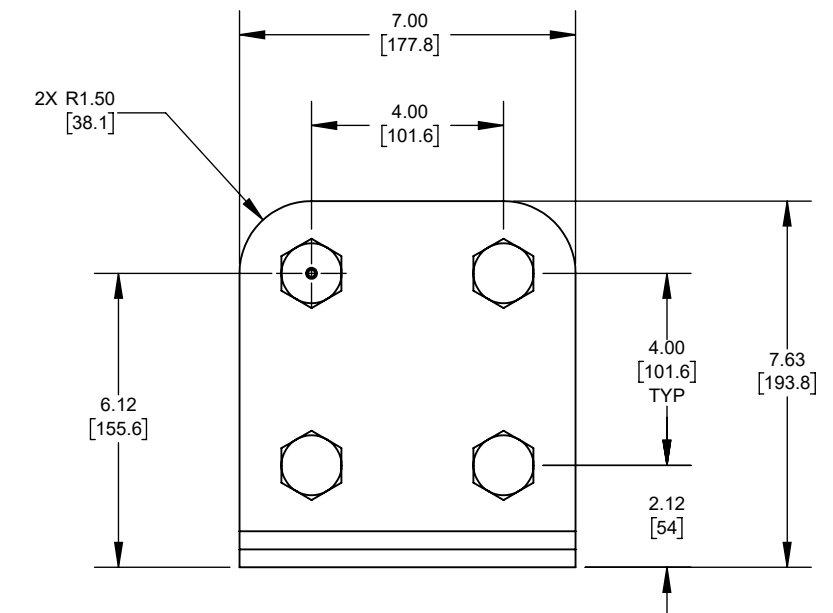
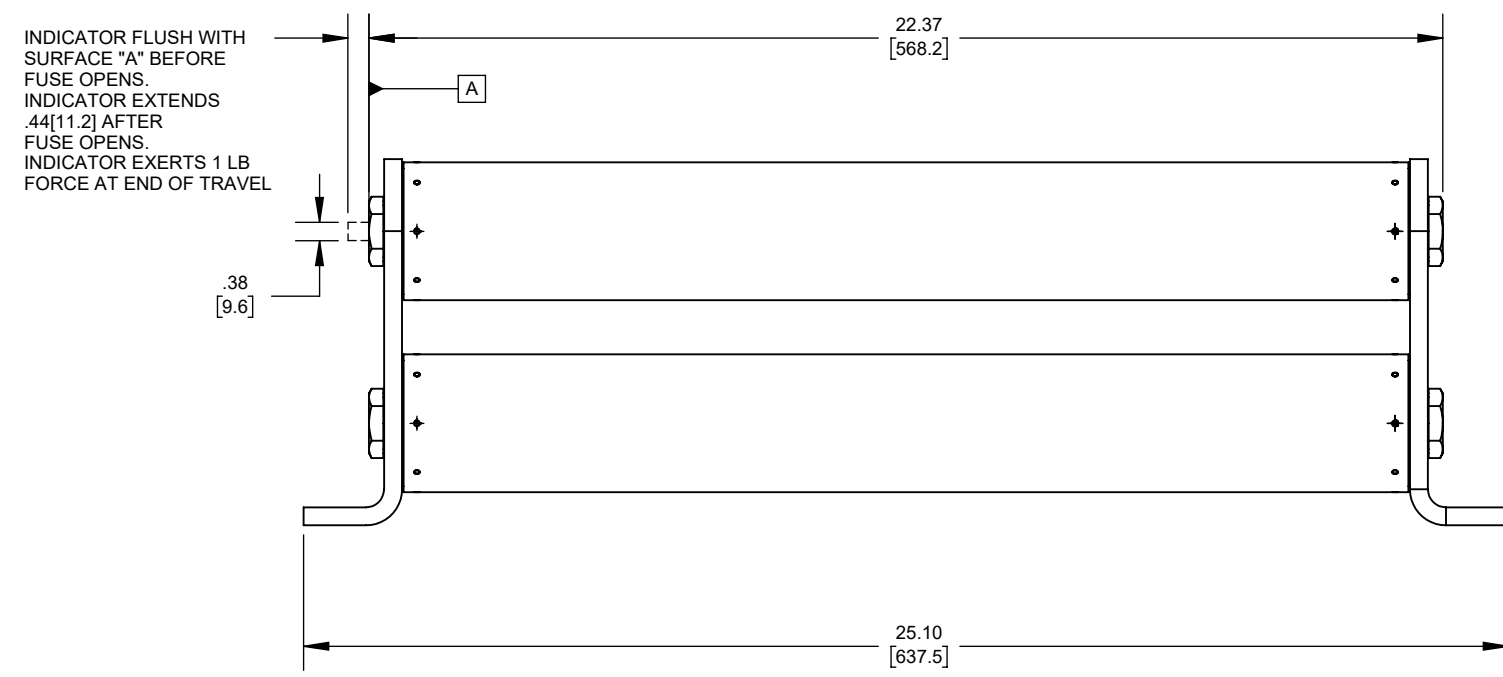
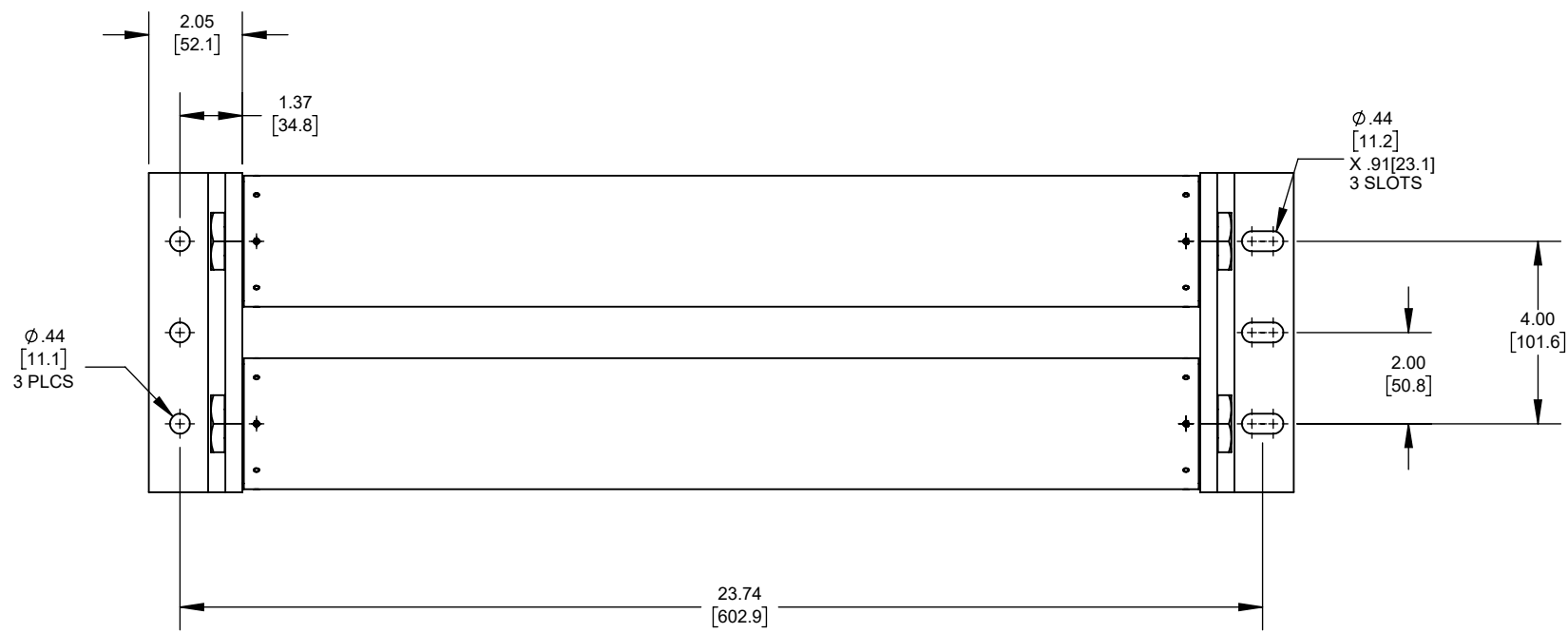


REV.	DATE	ECO	DESCRIPTION	BY	CK	APP
-	12/15/2003	N/A	INITIAL RELEASE	KMH	N/A	N/A
B	10/27/2023	17857	REDRAWN FROM CADRA, UPDATED SCALE, .44[11.2] WAS .50in(12.7mm) AND 1 LB WAS 2 LBS	LA	N/A	SEE ECO



OUTLINE DIMENSIONS  
NOT TO BE USED FOR PRODUCTION  
DIMENSIONS IN [ ] ARE MILLIMETERS

Approval stage / Etat d'approbation: <b>APPROUVÉ POUR FABRICATION / APPROVED FOR MANUFACTURING</b>		Product Class:/ Product Type: <b>MV E-RATED BOLT-IN FUSE AMP-TRAP</b>	
Initial ECO / ECO initiale: <b>ECO-17857-000</b>		Product amp rating:/ Voltage rating: <b>1200E 5.0kV MAX</b>	
Draw by / Dessiné par: <b>Luis ARMENTA</b>	Date: <b>11/14/2023</b>	Title / Titre: <b>OUTLINE A050B4D0R0-1200E</b>	Weight / Masse:
Checked by / Vérifié par: <b>Yadyra Fang</b>	Date: <b>11/14/2023</b>	Drawing / de dessin: <b>700676</b>	Rev / Rév: <b>B</b>
Electrical Power 374 MERRIMAC STREET NEWBURYPORT, MA 01950	Éch / Scale: <b>1:4</b> Format / Size: <b>B</b>	Part / Article: <b>SEE TABLE</b>	Page: 1/1



A050B4D0R0-1200E	1200E
CATALOG NUMBER	RATING

Ce plan strictement confidentiel est la propriété exclusive de la société MERSEN sans l'autorisation écrite de laquelle il ne peut être ni reproduit, ni copié, ni communiqué à des tiers.  
This drawing and specifications there on is property of MERSEN and shall not be reproduced or copied or used in whole or in part as the base for manufacture or sale of item without written permission.