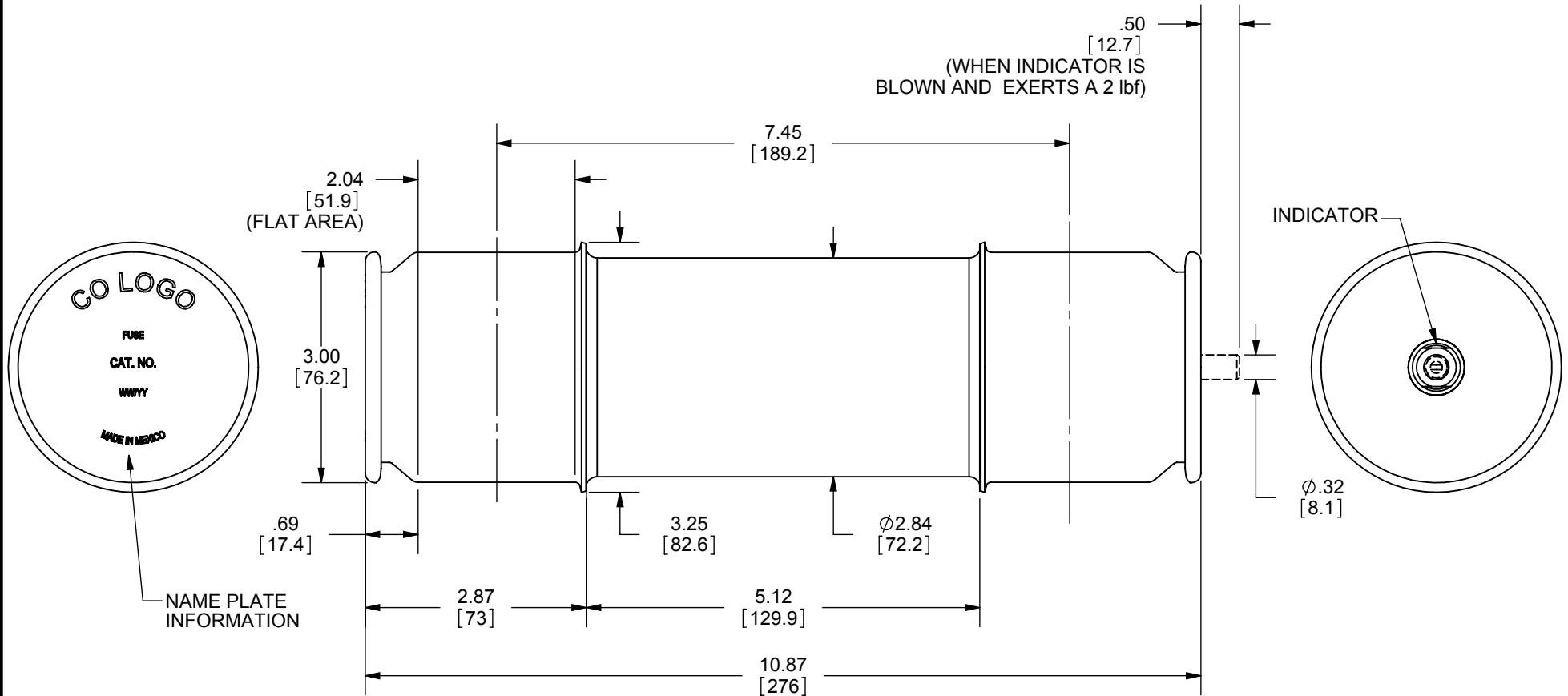


REV.	DATE	ECO	DESCRIPTION	BY	CK	APP
-	5/5/10	N/A	INITIAL RELEASE	KMH	N/A	N/A



DIMENSIONS IN [] ARE MILLIMETERS



MERSEN USA NEWBURYPORT-MA, LLC
374 MERRIMAC STREET
NEWBURYPORT, MA 01950

A240R(1 THRU 12)R
MEDIUM VOLTAGE
R-RATED
1R THRU 12R 2.6KV

OUTLINE DIMENSIONS
NOT TO BE USED FOR PRODUCTION

701485

PRODUCT MANAGER

DESIGN ENGINEER

SIGN:

SIGN:

DATE:

DATE: