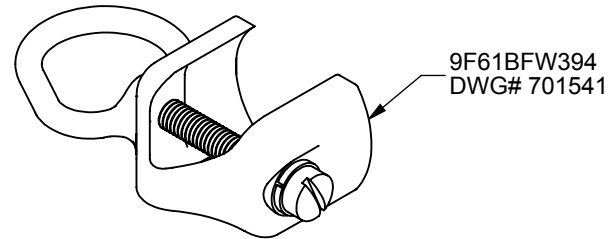
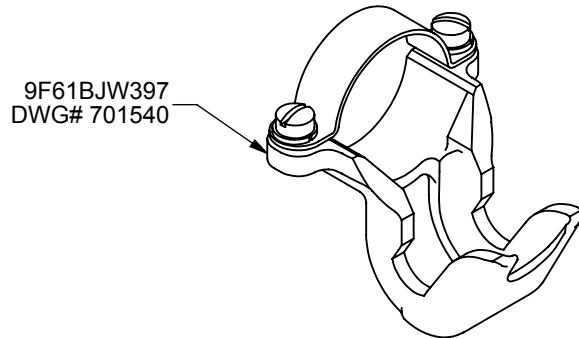
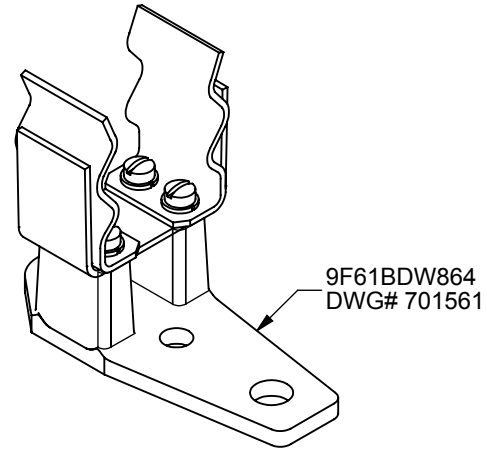
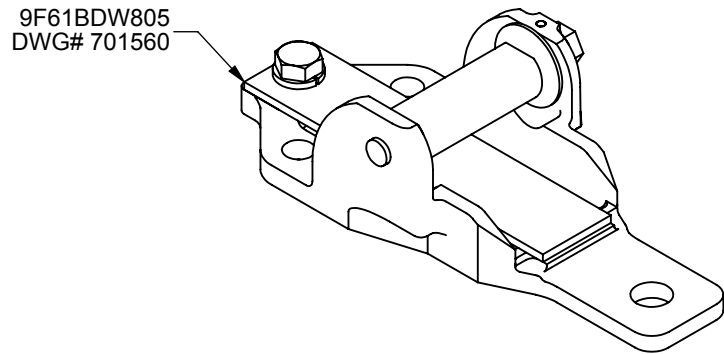


REV.	DATE	ECO	DESCRIPTION	BY	CK	APP
-	9/24/10	N/A	INITIAL RELEASE	RB		N/A



DIMENSIONS IN [ ] ARE MILLIMETERS



MERSEN USA NEWBURYPORT-MA, LLC  
374 MERRIMAC STREET  
NEWBURYPORT, MA 01950

9F61BNW731  
SP 2 IN. D LIVE PARTS FD

OUTLINE DIMENSIONS  
NOT TO BE USED FOR PRODUCTION

701542

PRODUCT MANAGER

SIGN:

DATE:

DESIGN ENGINEER

SIGN:

DATE: