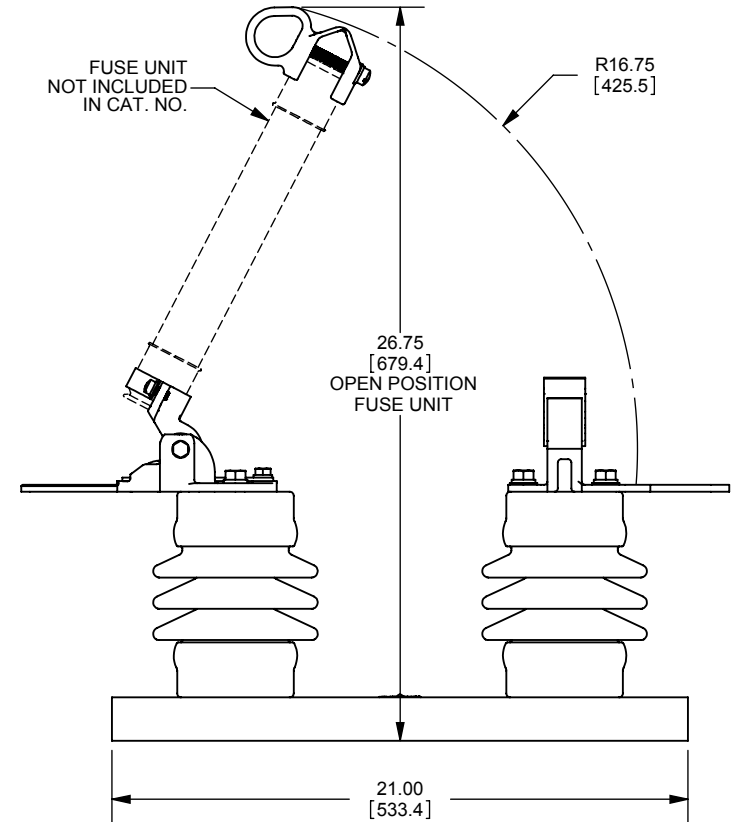
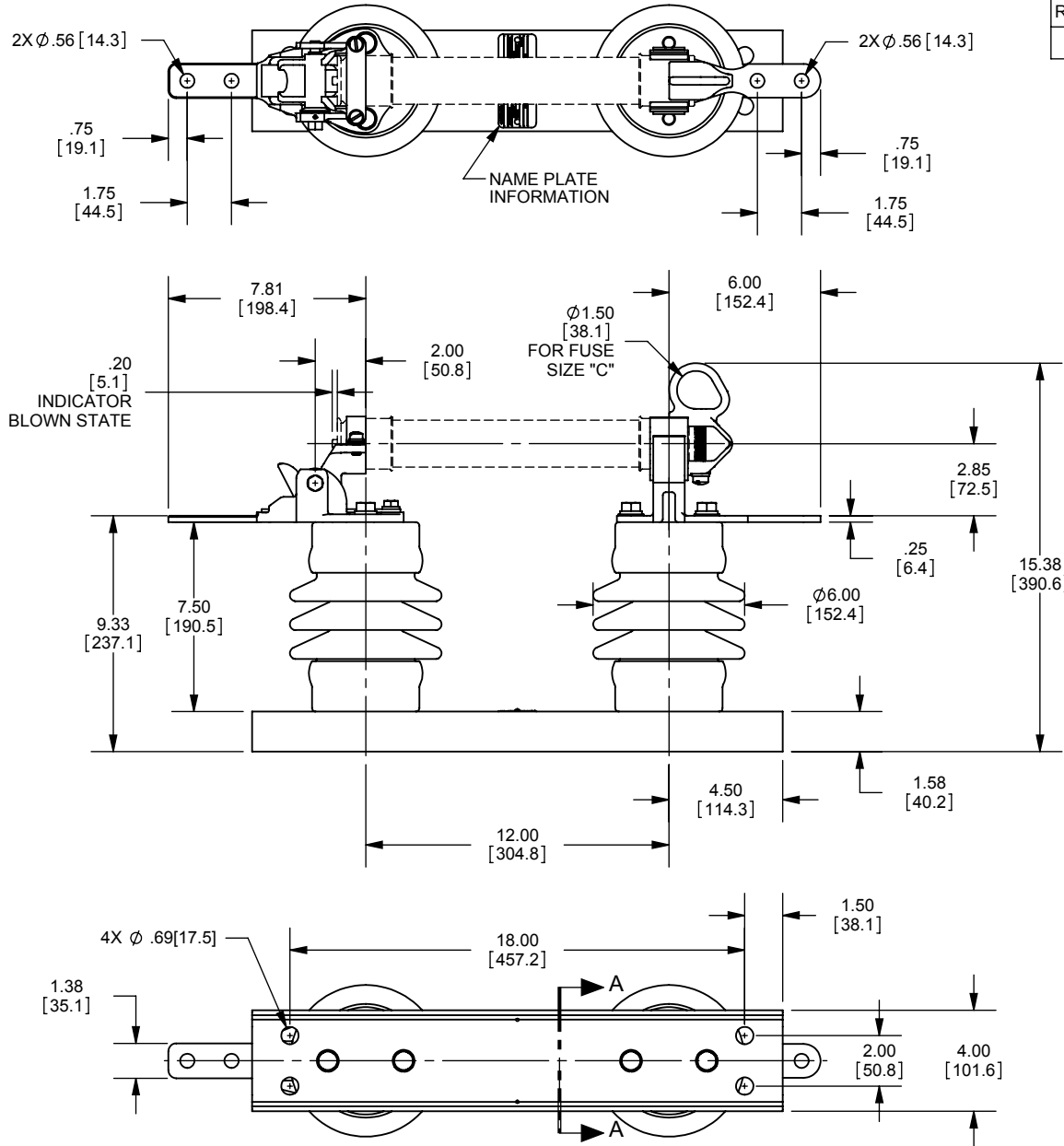


REV.	DATE	ECO	DESCRIPTION	BY	CK	APP
-	2/28/11	N/A	INITIAL RELEASE	RB	N/A	N/A



DIMENSIONS IN [ ] ARE MILLIMETERS



MERSEN USA NEWBURYPORT-MA, LLC  
374 MERRIMAC STREET  
NEWBURYPORT, MA 01950

**9F61CEF210**  
**FUSE DISCONNECT SWITCH**  
**EKO-3C**  
**8.25kV MAX 95kV BIL**

OUTLINE DIMENSIONS  
NOT TO BE USED FOR PRODUCTION

**701572**

PRODUCT MANAGER

DESIGN ENGINEER

SIGN:

SIGN:

DATE:

DATE: