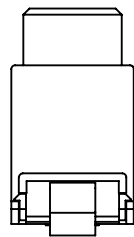
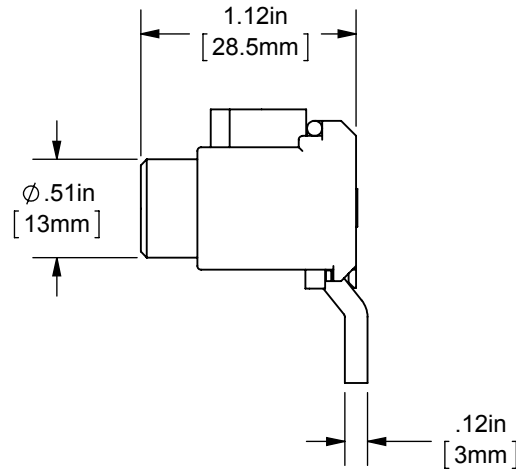
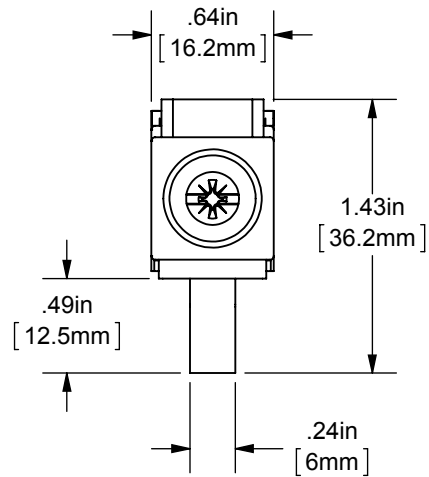
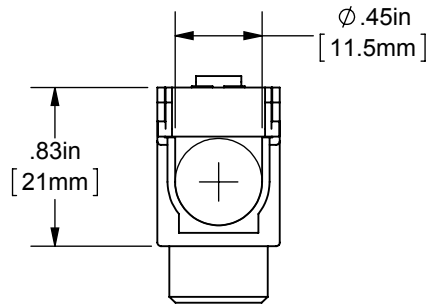
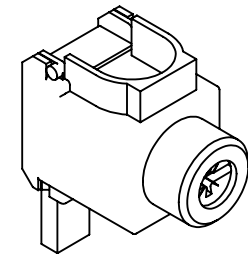


REV.	DATE	ECO	DESCRIPTION	BY	CK	APP
A	2-13-13	N/A	MIRRORED ORIENTATION OF TAB	LDB	N/A	N/A



FEEDING: LENGTHWISE
 CROSS SECTION: 6-35mm²



DIMENSIONS IN [] ARE MILLIMETERS



MERSEN USA NEWBURYPORT-MA, LLC
 374 MERRIMAC STREET
 NEWBURYPORT, MA 01950

USBBC1

FEEDER TERMINAL

115A 1000VAC/DC

OUTLINE DIMENSIONS
 NOT TO BE USED FOR PRODUCTION

701722

PRODUCT MANAGER

SIGN:

DATE:

DESIGN ENGINEER

SIGN:

DATE: