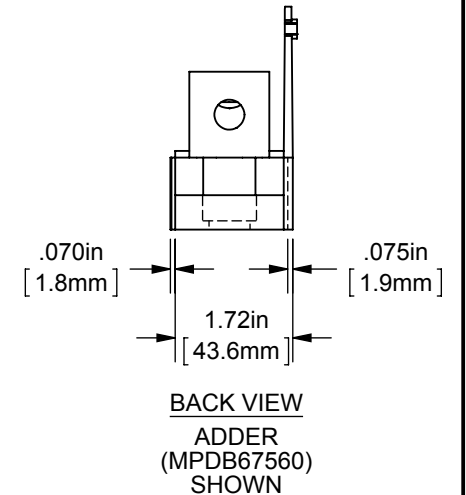
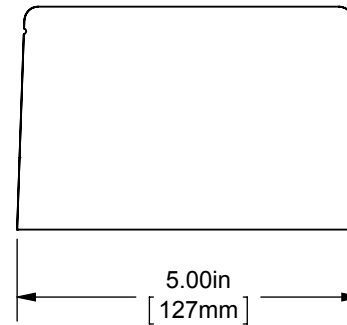
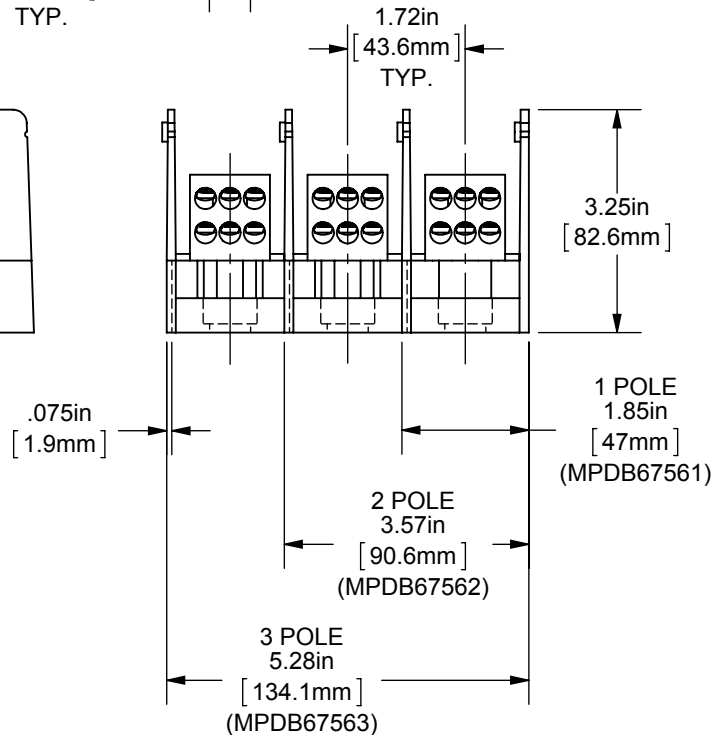
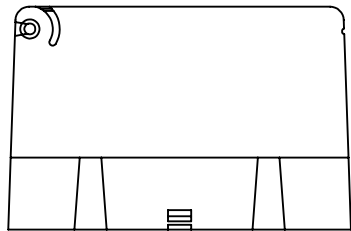
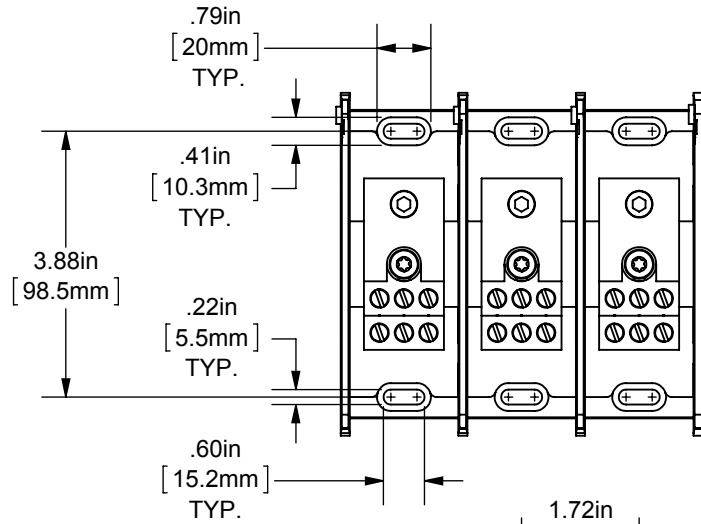


REV.	DATE	ECO	DESCRIPTION	BY	CK	APP
-	1-28-13	N/A	INITIAL RELEASE	LDB	N/A	N/A



DIMENSIONS IN [ ] ARE MILLIMETERS



MERSEN USA NEWBURYPORT-MA, LLC  
374 MERRIMAC STREET  
NEWBURYPORT, MA 01950

MPDB(67560,67561,67562,67563)

PDB 1-3P, ADDER AL INTERMEDIATE UL1953

(1) 2/0-14 X (6) 2-14

OUTLINE DIMENSIONS  
NOT TO BE USED FOR PRODUCTION

701870

PRODUCT MANAGER

SIGN:

DATE:

DESIGN ENGINEER

SIGN:

DATE: