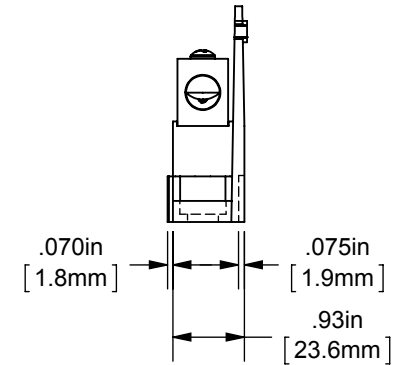
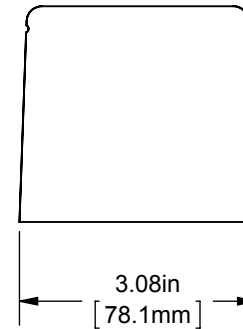
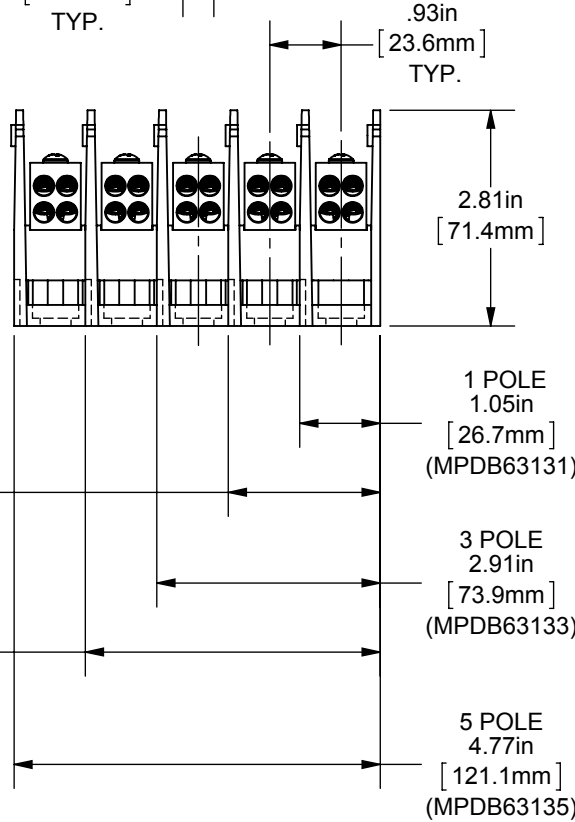
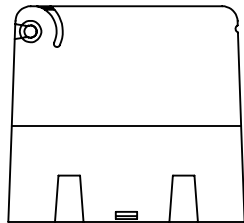
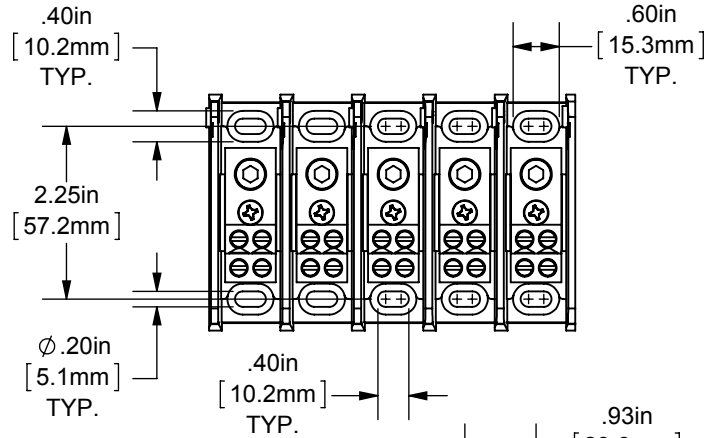


REV.	DATE	ECO	DESCRIPTION	BY	CK	APP
A	4-26-13	N/A	ADDED MPDB631(34,35)	GDR	N/A	N/A



BACK VIEW  
ADDER  
(MPDB63130)  
SHOWN

DIMENSIONS IN [ ] ARE MILLIMETERS



MERSEN USA NEWBURYPORT-MA, LLC  
374 MERRIMAC STREET  
NEWBURYPORT, MA 01950

MPDB631(30, 31, 32, 33, 34, 35)

PDB 1-5P, ADDER AL MINIATURE UL1953

(1) 2/0-14 X (4) 4-14

OUTLINE DIMENSIONS  
NOT TO BE USED FOR PRODUCTION

701871

PRODUCT MANAGER

SIGN:

DATE:

DESIGN ENGINEER

SIGN:

DATE: