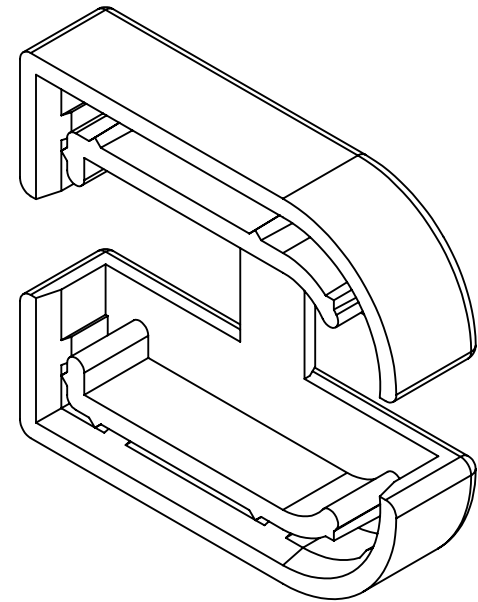
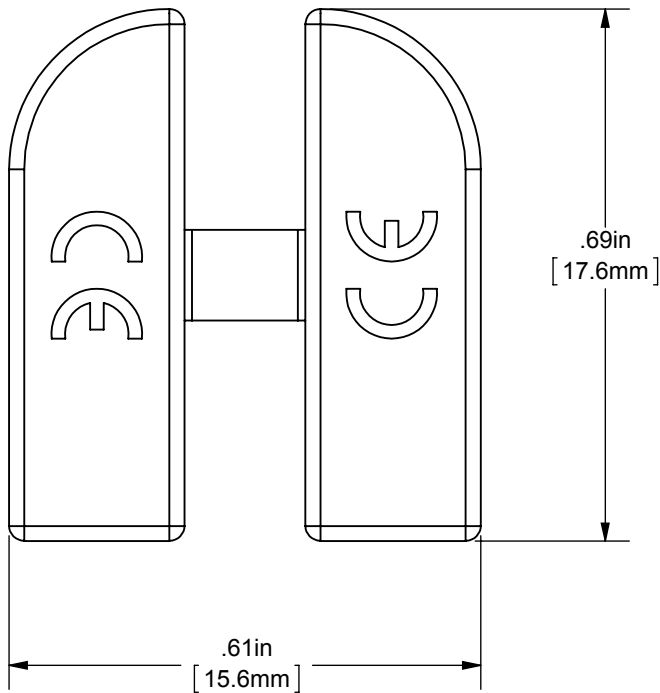
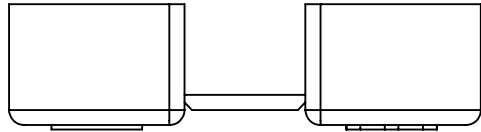


REV.	DATE	ECO	DESCRIPTION	BY	CK	APP
-	2-20-13	N/A	INITIAL RELEASE	LDB	N/A	N/A



DIMENSIONS IN [] ARE MILLIMETERS



MERSEN USA NEWBURYPORT-MA, LLC
374 MERRIMAC STREET
NEWBURYPORT, MA 01950

USBB1PHEC

USBB 1-PH END CAP

OUTLINE DIMENSIONS
NOT TO BE USED FOR PRODUCTION

701877

PRODUCT MANAGER

DESIGN ENGINEER

SIGN:

SIGN:

DATE:

DATE: