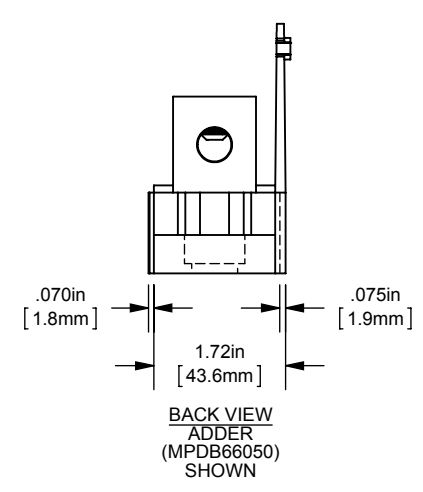
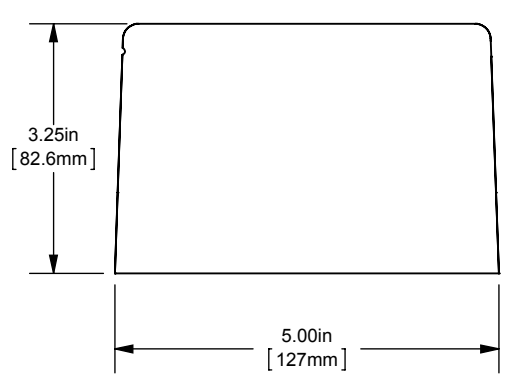
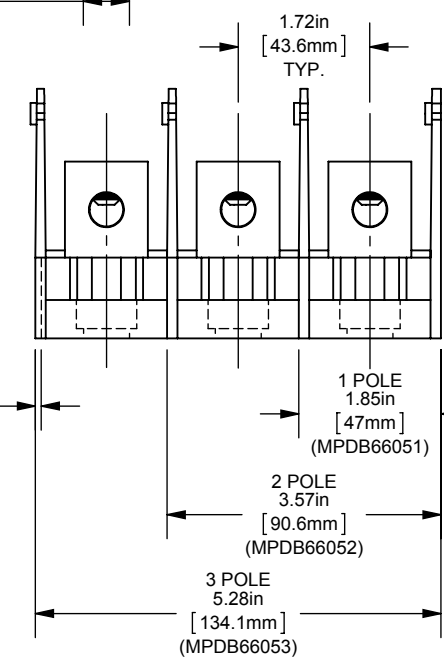
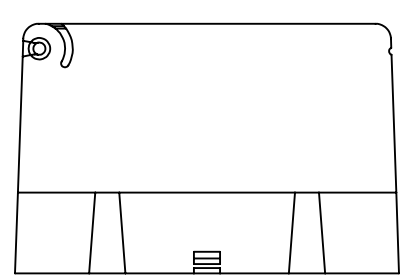
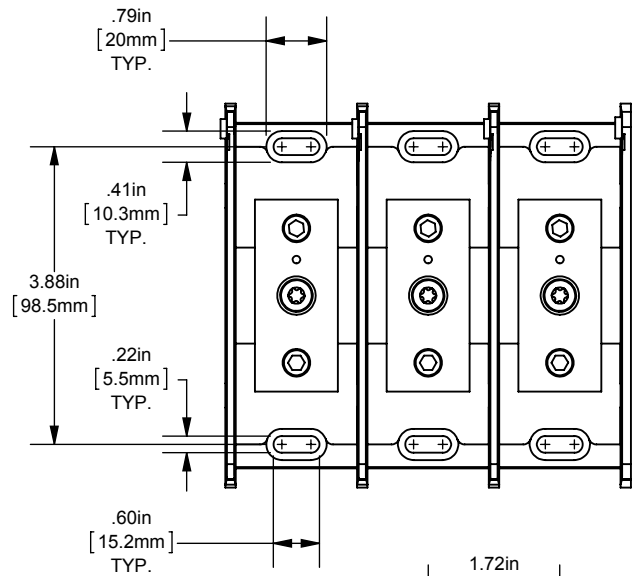


REV.	DATE	ECO	DESCRIPTION	BY	CK	APP
-	8/8/2013	N/A	INITIAL RELEASE	GDR	N/A	N/A



DIMENSIONS IN [ ] ARE MILLIMETERS



MERSEN USA NEWBURYPORT-MA, LLC  
374 MERRIMAC STREET  
NEWBURYPORT, MA 01950

**MPDB(66050,66051,66052,66053)**  
**PDB 1-3P, ADDER COPPER INTERMEDIATE**  
**(1) 2/0-14 X (1) 2/0-14**

OUTLINE DIMENSIONS  
NOT TO BE USED FOR PRODUCTION

**701900**  
SHEET 1 OF 1

PRODUCT MANAGER  
SIGN:  
DATE:

DESIGN ENGINEER  
SIGN:  
DATE: (SEE ECO)