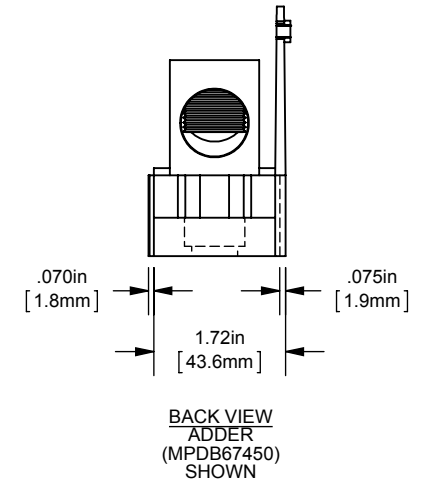
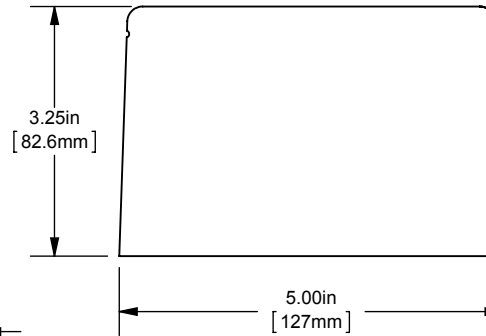
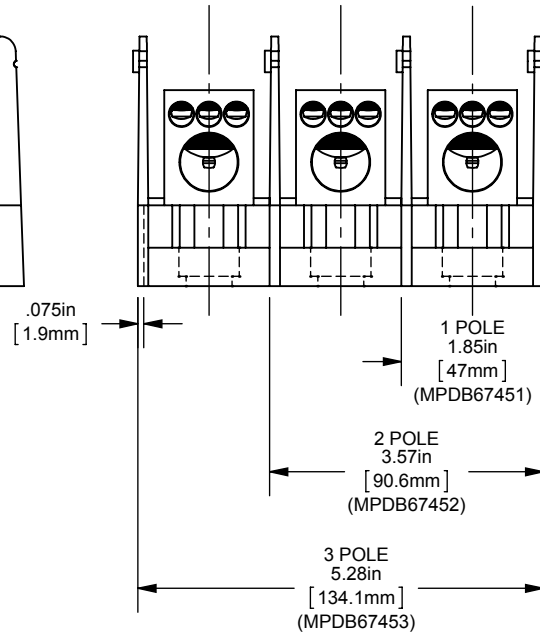
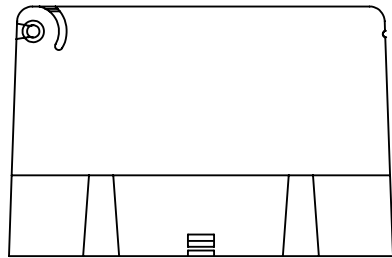
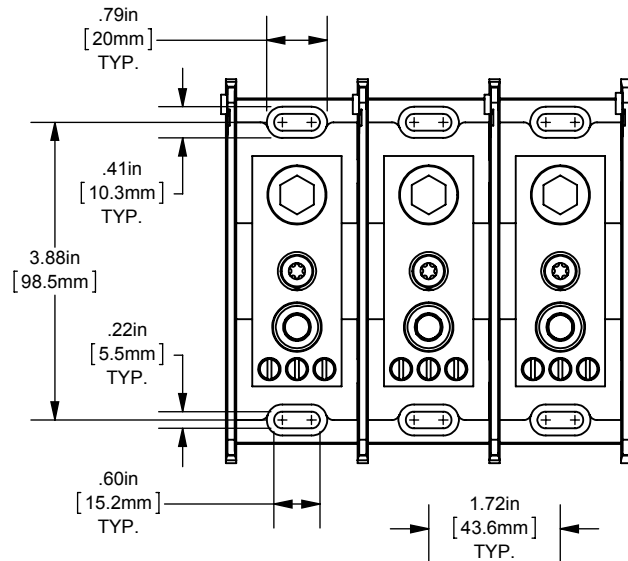


REV.	DATE	ECO	DESCRIPTION	BY	CK	APP
-	8/9/2013	N/A	INITIAL RELEASE	GDR	N/A	N/A



DIMENSIONS IN [ ] ARE MILLIMETERS



MERSEN USA NEWBURYPORT-MA, LLC  
374 MERRIMAC STREET  
NEWBURYPORT, MA 01950

MPDB(67450,67451,67452,67453)

OUTLINE DIMENSIONS  
NOT TO BE USED FOR PRODUCTION

PDB 1-3P, ADDER ALUMINUM INTERMEDIATE

701904

PRODUCT MANAGER

DESIGN ENGINEER

SIGN:

SIGN:

DATE:

DATE: (SEE ECO)

(1) 500-4 X (1) 350-6 & (3) 2-14