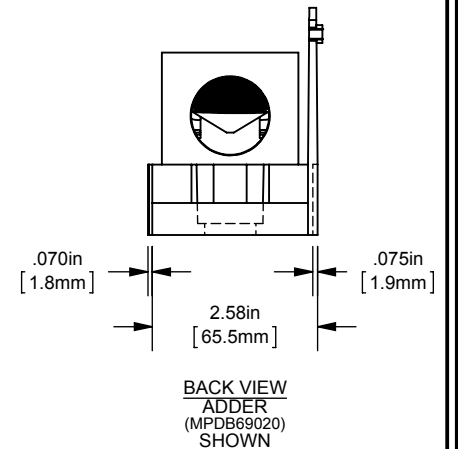
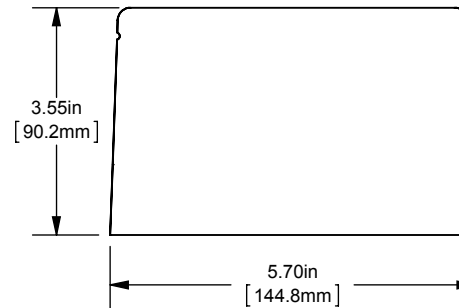
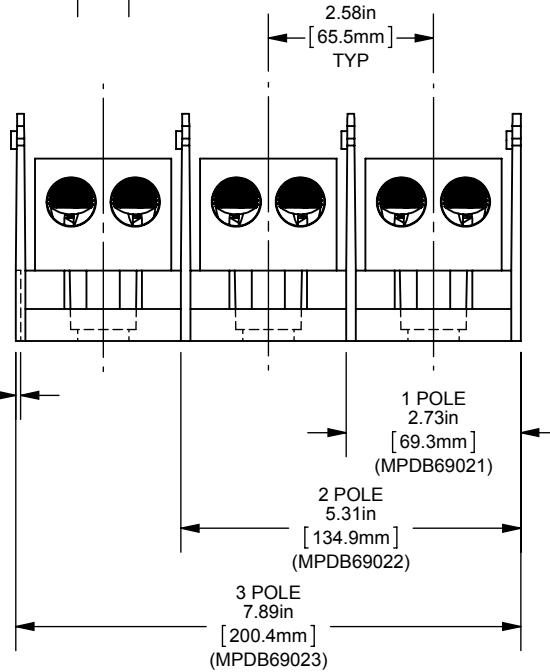
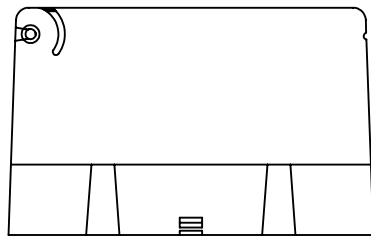
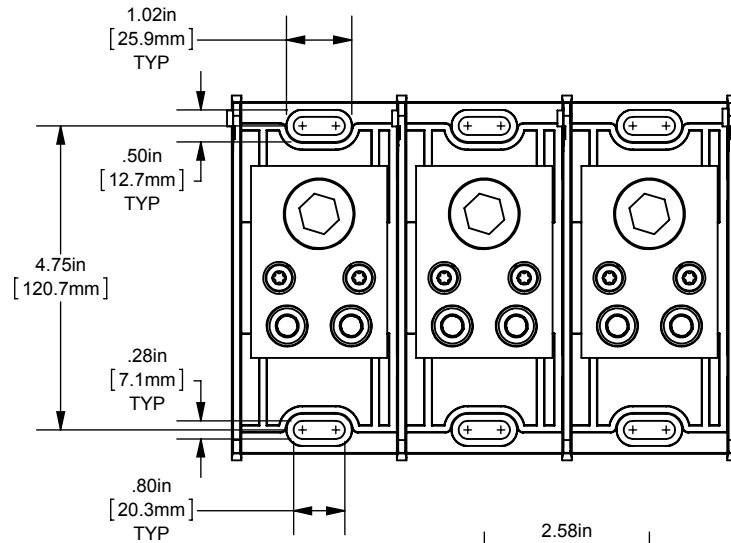


REV.	DATE	ECO	DESCRIPTION	BY	CK	APP
-	9/20/2013	N/A	INITIAL RELEASE	GDR	N/A	N/A



DIMENSIONS IN [] ARE MILLIMETERS



MERSEN USA NEWBURYPORT-MA, LLC
374 MERRIMAC STREET
NEWBURYPORT, MA 01950

MPDB(69020, 69021, 69022, 69023)

PDB 1-3P, ADDER ALUMINUM LARGE

(1) 1000-250 X (2) 350-6

OUTLINE DIMENSIONS
NOT TO BE USED FOR PRODUCTION

702016

PRODUCT MANAGER

SIGN:

DATE:

DESIGN ENGINEER

SIGN:

DATE: (SEE ECO)