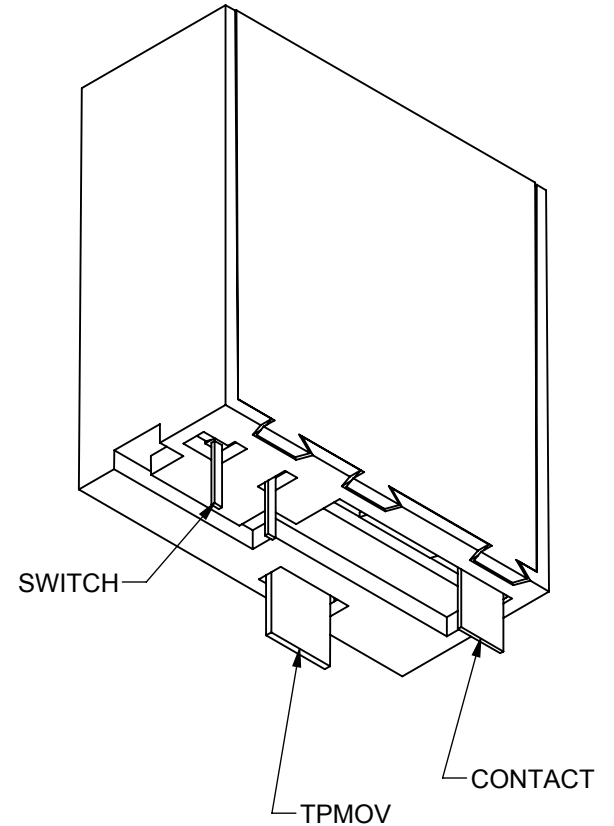
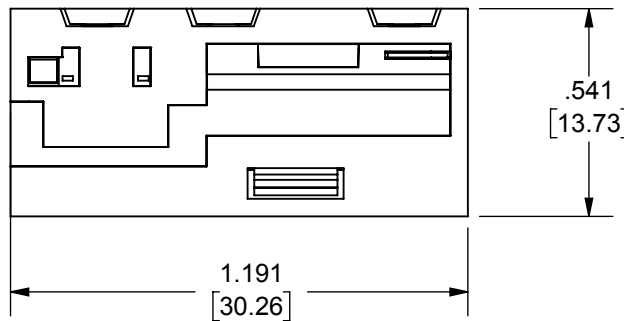
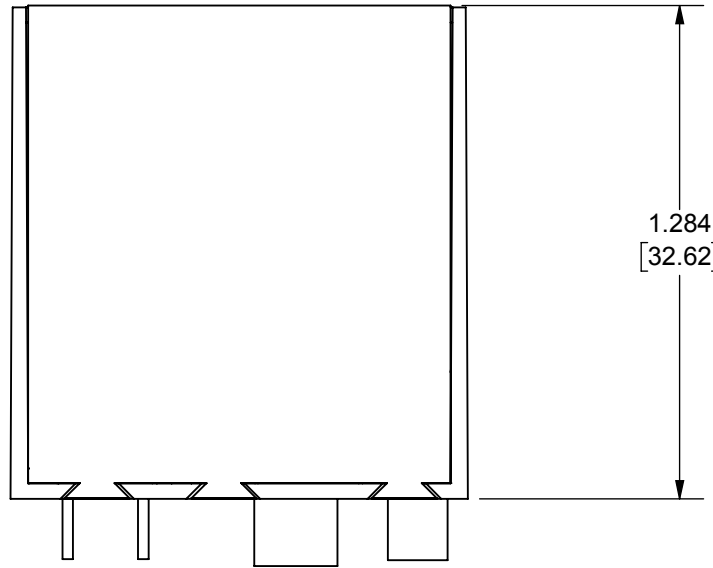
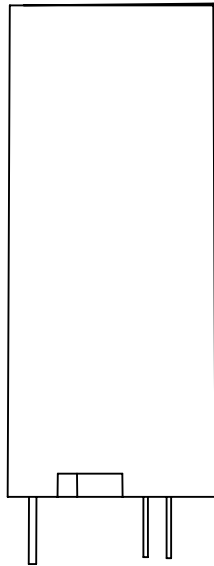


REV.	DATE	ECO	DESCRIPTION	BY	CK	APP
A	6/13/19	N/A	REMOVED NOTES; ADDED LEFT, REAR AND ISO VIEWS, ADDED PIN DETAIL	RLM	NA	NA

FRONT



DIMENSIONS IN [] ARE MILLIMETERS

OUTLINE DIMENSIONS
NOT TO BE USED FOR PRODUCTION



MERSEN USA NEWBURYPORT-MA, LLC
374 MERRIMAC STREET
NEWBURYPORT, MA 01950

25TPMOVSL(150,320), (150D,320D)

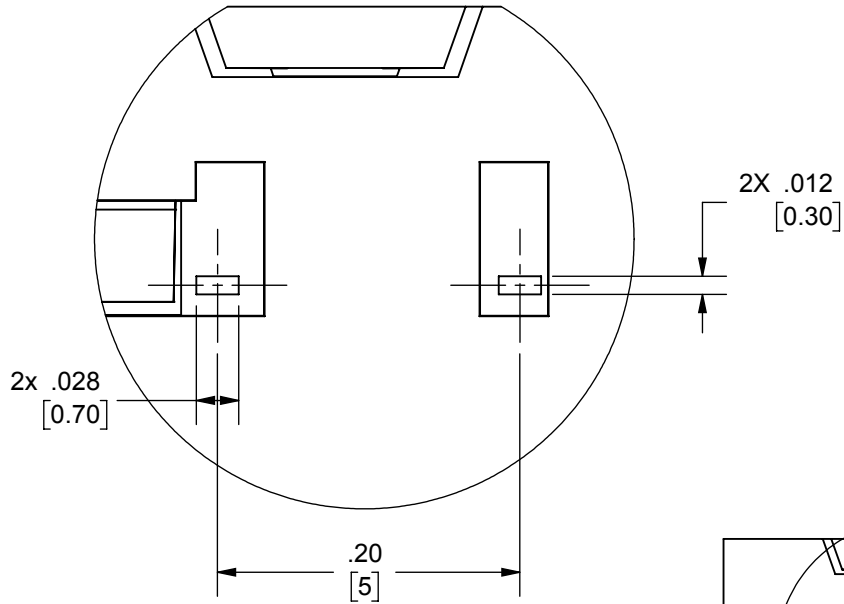
PRODUCT MANAGER
SIGN: S. MUTABDZIJA

DESIGN ENGINEER
SIGN: G.BENTO

DATE: 9/30/19

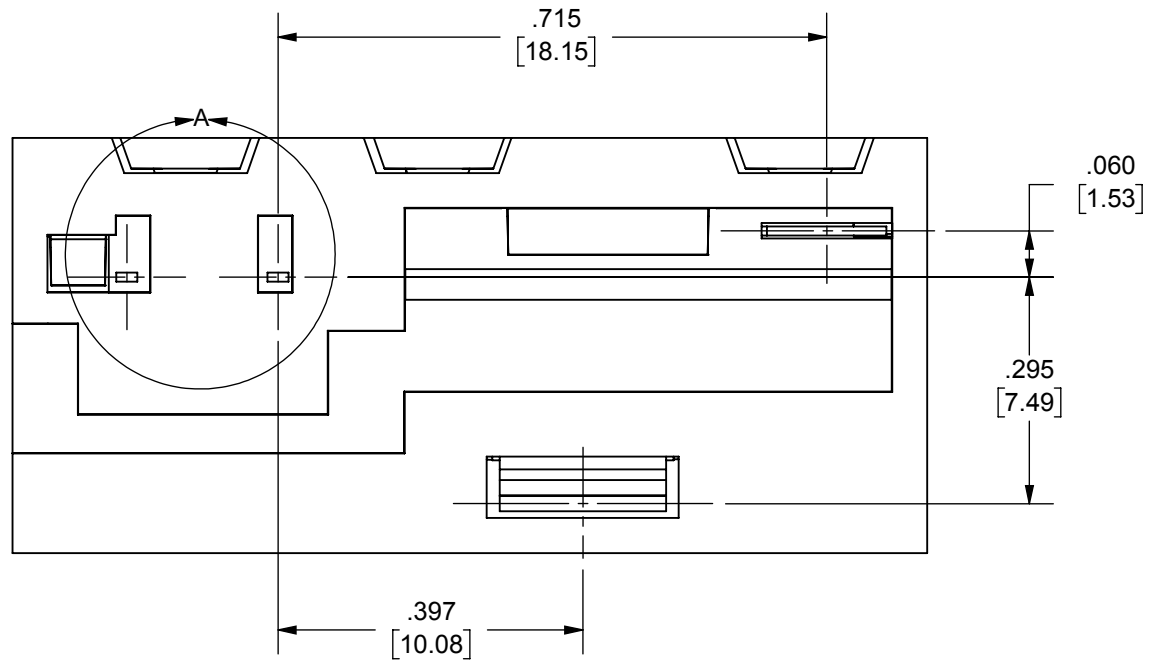
DATE: 9/30/19

702259



DETAIL A
SCALE 8 : 1

BOTTOM
PIN DETAIL
SCALE 4 : 1



DIMENSIONS IN [] ARE MILLIMETERS

OUTLINE DIMENSIONS
NOT TO BE USED FOR PRODUCTION

merse

MERSEN USA NEWBURYPORT-MA, LLC
374 MERRIMAC STREET
NEWBURYPORT, MA 01950

25TPMOVSL(150,320), (150D,320D)

PRODUCT MANAGER
SIGN: S. MUTABDZIJA

DESIGN ENGINEER
SIGN: G.BENTO

DATE: 9/30/19

DATE: 9/30/19