

Fuse Bases for Motor High Voltage Fuse-links

FUSE HOLDERS, FUSE BASES AND SUPPORTS

IEC HV FUSE SUPPORTS



FEATURES & BENEFITS

- For indoor use

APPLICATIONS

- Fuse Bases for Motor High Voltage Fuse-links - ASB Series

STANDARDS

- According to DIN 43624

Fuse bases for HV fuse link for motor protection with diameter 45mm and lengths 192, 292, and 442mm.

The indicating device enables electrical actuating of the opening mechanism for a circuit or triggering of an indicator during the melting of a fuse equipped with a trip-indicator.

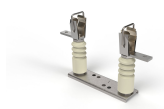
This very robust and original device means freedom for any mechanical system and offers the advantage of being able to incorporate a microswitch unit or units according to the equipment configuration.

TECHNICAL DATA OVERVIEW

Body Material	Base Plate: Steel Clip: Copper Clip spring: Inox Terminal lug: Brass
---------------	-------------------------------------------------------------------------------

Fuse Bases for Motor High Voltage Fuse-links

PRODUCT RANGE



SI130-45-192

MV Motor Fuse Holder 3.6KV/7.2KV 192mm

Catalog number	Item number	Rated voltage AC (IEC)	Dielectric withstand between live parts and earth (50 Hz - 1 min)	Dielectric withstand between live parts and earth (1,2/50µs)	Package	Weight
SI130-45-192	R091187	3.6 kV	27 kV	60 kV	1	4.9 kg



SI130-45-292

MV Motor Fuse Holder 3.6KV/7.2KV 292mm

Catalog number	Item number	Rated voltage AC (IEC)	Dielectric withstand between live parts and earth (50 Hz - 1 min)	Dielectric withstand between live parts and earth (1,2/50µs)	Package	Weight
SI130-45-292	P092818	7.2 kV	27 kV	60 kV	1	4.8 kg



SI130-45-442

MV Motor Fuse Holder 3.6KV/7.2KV 442mm

Catalog number	Item number	Rated voltage AC (IEC)	Dielectric withstand between live parts and earth (50 Hz - 1 min)	Dielectric withstand between live parts and earth (1,2/50µs)	Package	Weight
SI130-45-442	Q092819	7.2 kV	27 kV	60 kV	1	5.2 kg



SI175-45-442

MV Motor Fuse Holder 12KV 442mm

Catalog number	Item number	Rated voltage AC (IEC)	Dielectric withstand between live parts and earth (50 Hz - 1 min)	Dielectric withstand between live parts and earth (1,2/50µs)	Package	Weight
SI175-45-442	Q075569	12 kV	45 kV	95 kV	1	5.2 kg

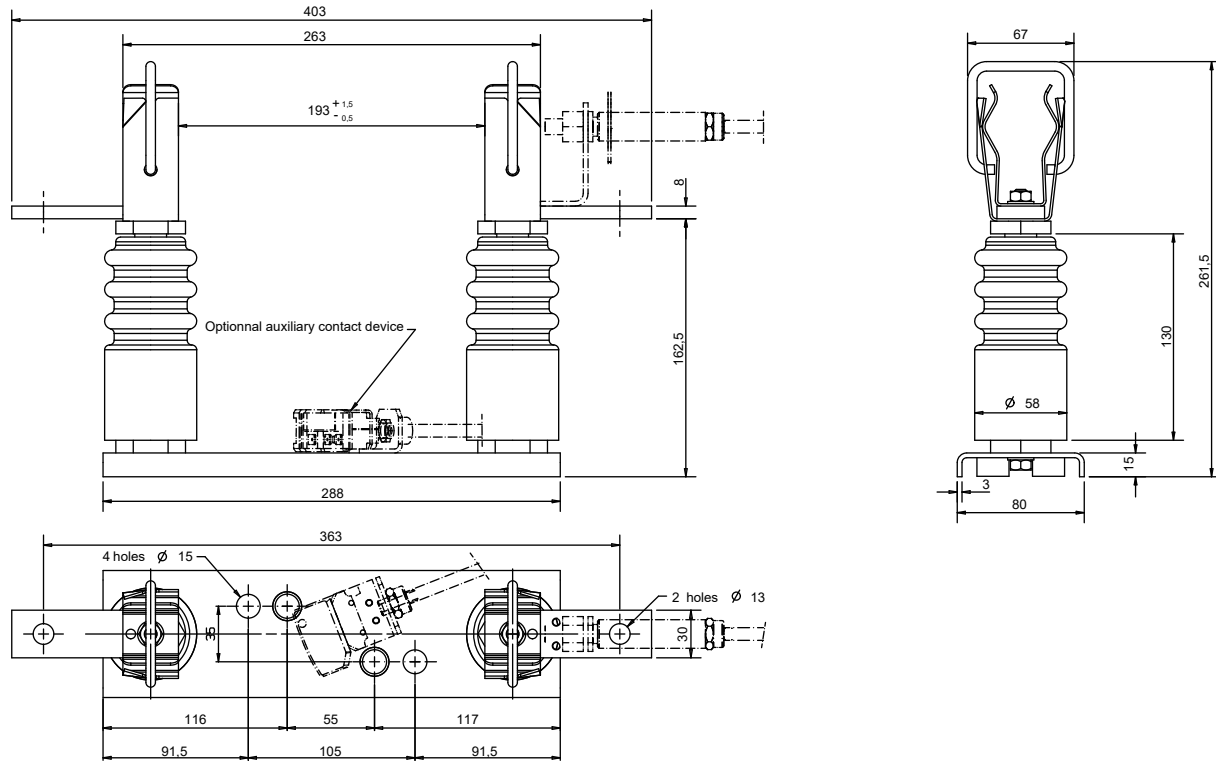
Indicating Device

Catalog number	Item number	Rated voltage of corresponding fuse-holder	Indication System	Design	Length	Package	Weight
MC1-5NFLEXQS500	E092855	12-36kV	1 microswitch	Length flexible part: 550mm	710 mm	1	0.2 kg
MC1-9NFLEXQS500	F092856	12-36kV	2 microswitches	Length flexible part: 550mm	710 mm	1	0.2 kg

Fuse Bases for Motor High Voltage Fuse-links

DIMENSIONS

MV Motor Fuse Holder 3.6KV/7.2KV 192mm

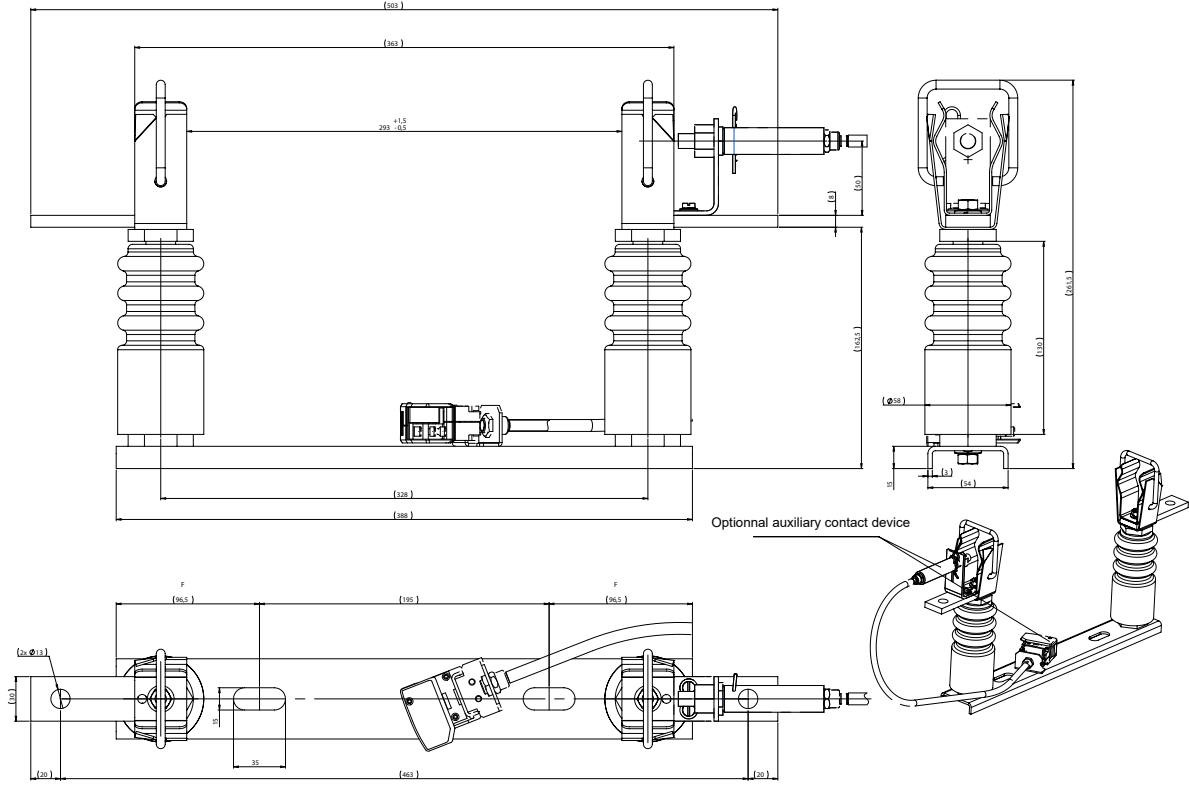


Dimensions in mm

Fuse Bases for Motor High Voltage Fuse-links

DIMENSIONS

MV Motor Fuse Holder 3.6KV/7.2KV 292mm

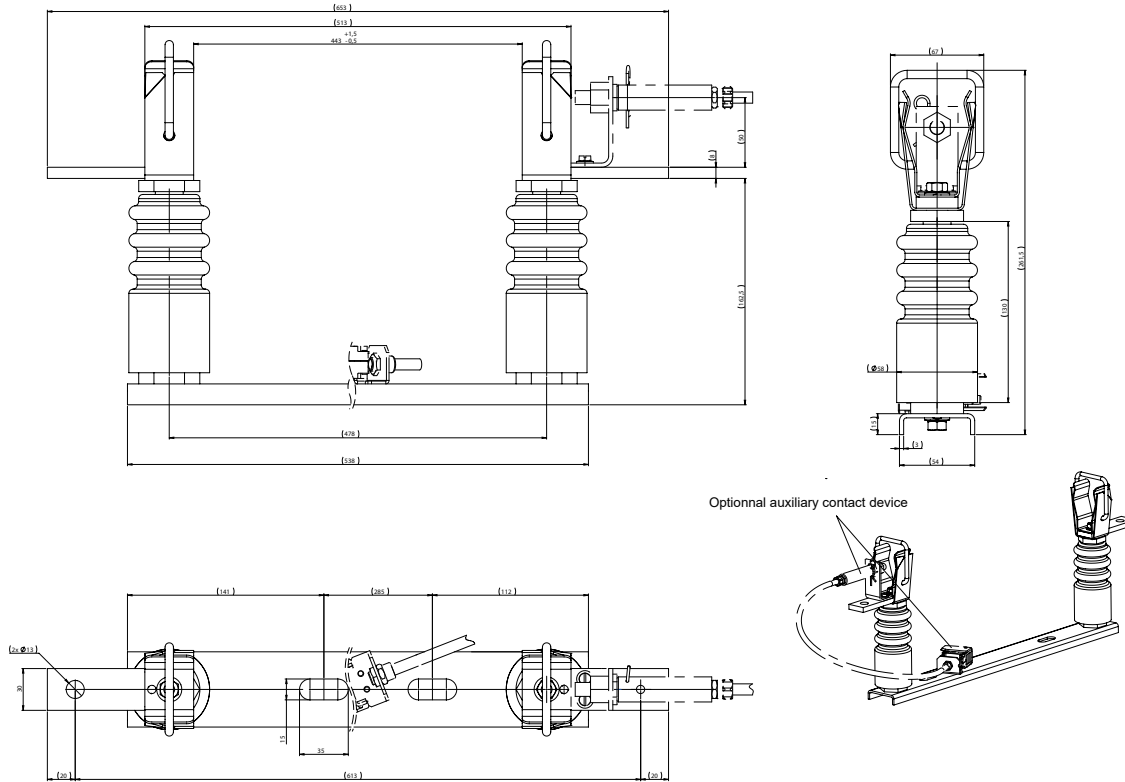


Dimensions in mm

Fuse Bases for Motor High Voltage Fuse-links

DIMENSIONS

MV Motor Fuse Holder 3.6KV/7.2KV 442mm

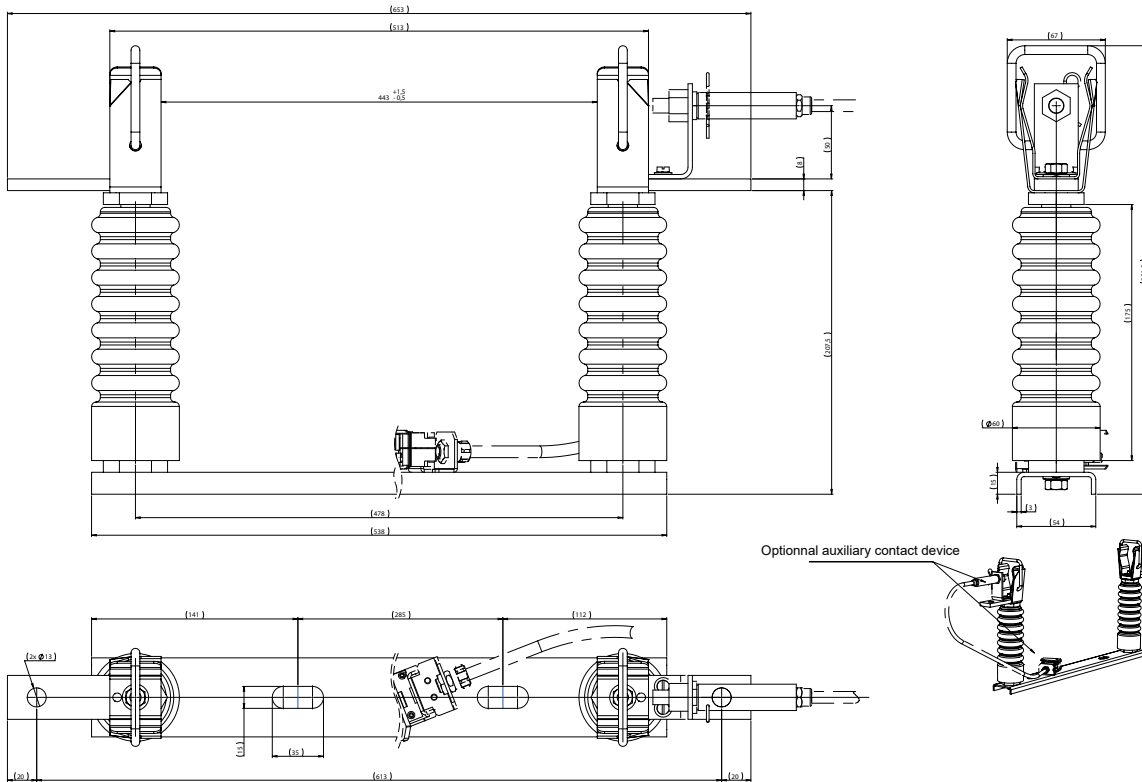


Dimensions in mm

Fuse Bases for Motor High Voltage Fuse-links

DIMENSIONS

MV Motor Fuse Holder 12KV 442mm



Dimensions in mm

MC1-9NFLEXQS500

MC1-5NFLEXQS500

