

HPJ

1000VDC Class J Open Style Fuse Holders

FUSE BLOCKS & HOLDERS

MERSEN PV APPROVED CLASS J FUSE HOLDERS FOR USE WITH CLASS J PHOTOVOLTAIC FUSES



FB

Designed specifically for Mersen's HP6J and HP10J series of photovoltaic fuses, Mersen's HPJ fuse holders are certified for use with 90°C temperature rated conductors, an industry first. Fuse holders are available with box connectors, stud connectors or a combination of the two in order to meet various customer requirements. Insulators are either molded glass-filled polycarbonate or phenolic with verified dielectric strength in excess of 2500V. All fuse clips are made of high conductivity tin-plated copper.

CATALOG NUMBERS

Ampere Rating	Clip Configuration	Wire Range	Wire Type	Stud Type	Catalog Number	Temperature Rating of Wire Terminal
BOX TO BOX TERMINAL CONFIGURATION, 1-POLE						
100	In-line	2/0 - #6	Cu	—	61006HPJ	90°C
200	Side	350kcmil - #6	Al/Cu	—	62001HPJ	75°C
400	In-line	{2} 350kcmil - #6		—	64031HPJ	
600	In-line	{2} 500kcmil - #4		—	6631HPJ	
BOX TO STUD TERMINAL CONFIGURATION, 1-POLE						
100	In-line	2/0 - #6	Cu	1/4-20	61041HPJ	90°C
200	Side	350kcmil - #6	Al/Cu	5/16-18	62041HPJ	75°C
400	In-line	{2} 350kcmil - #6		3/8-16	64041HPJ	
600	In-line	{2} 500kcmil - #4		1/2-13	6641HPJ	
STUD TO STUD TERMINAL CONFIGURATION, 1-POLE						
100	In-line	—	Al/Cu	1/4-20	61016HPJ	N/A
200	Side	—		5/16-18	62011HPJ	
400	In-line	—		3/8-16	64011HPJ	
600	In-line	—		1/2-13	6611HPJ	

RATINGS:

- **Volts:** 1000VDC
- **Amps:** 100A, 200A, 400A, 600A
- **SCCR:** 100kA

FEATURES/BENEFITS:

- UL approved for use with 90°C temperature rated conductors
Box and/or stud wire terminals available
- UL Listed to UL's standard for photovoltaic fuse holders

APPLICATIONS:

- Re-combiner box (sub-combiner, array combiner, master combiner) applications
- Inverter DC input
- Battery charge controllers

RECOMMENDED FUSE USAGE:

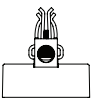
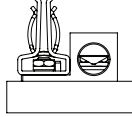
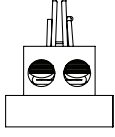
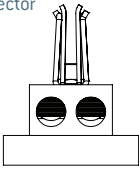
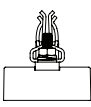
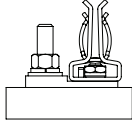
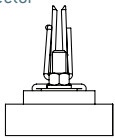
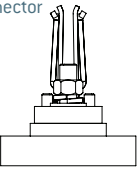
- Mersen HP6J series HelioProtection photovoltaic fuses

APPROVALS:

- UL listed to Standard 2579 File E333668 (70A to 600A)
- CSA Component Certified C22.2

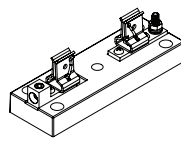
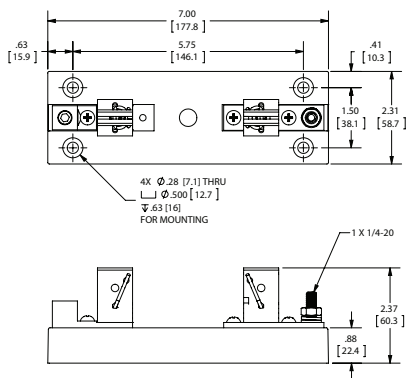


CLIP & CONNECTOR TYPES

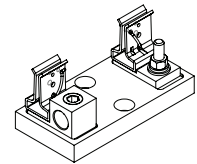
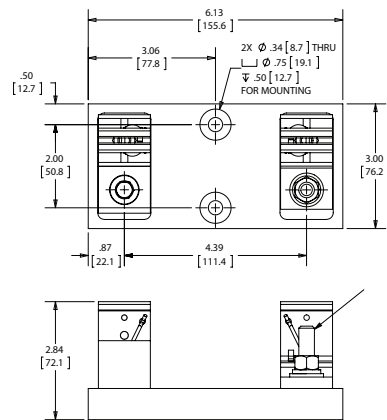
100A	200A	400A	600A
<p>Box Connector</p> 	<p>Box Connector</p> 	<p>Box Connector</p> 	<p>Box Connector</p> 
<p>Stud Connector</p> 	<p>Stud Connector</p> 	<p>Stud Connector</p> 	<p>Stud Connector</p> 

DIMENSIONS*

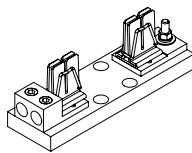
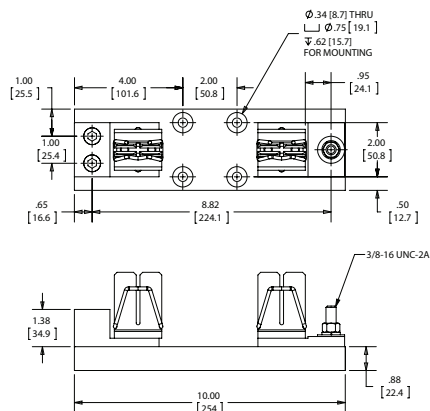
100A



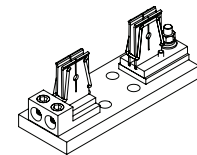
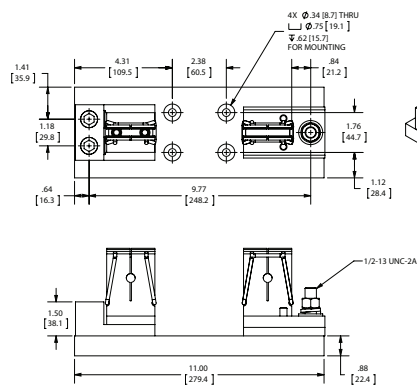
200A



400A



600A



*Box to Stud Terminal configuration shown for reference only. Also available in box-box and stud-stud terminal configurations.

FB