

# HelioProtection® NH fuse-links 800VAC

## NH gG 800VAC

### SPECIAL PURPOSE FUSES

### PHOTOVOLTAIC FUSES



Mersen NH fuse-links 800VAC was engineered and designed specifically for photovoltaic systems. gG types are full range breaking capacity fuse-links and are used to protect cables and equipment. They can interrupt any surge, from the lowest fusing up to their breaking capacity, and so can be used alone as protection. They are the perfect solution of protection when used with DC/800VAC Solar inverters.

### TECHNICAL DATA OVERVIEW

Voltage AC	800 VAC
Ampere Range (A)	200 ... 315 A
Size per Standard	NH3
Speed/Characteristic	gG
I.R. AC (IEC)	120 kA

### FEATURES & BENEFITS

- Low fault current interrupting capability
- Temperature cycle withstand capability
- Durable construction for enhanced system longevity
- High efficiency with low power losses

### APPLICATIONS

- General purpose cable and line protection at 800VAC
- Solar installation AC combiner box

### STANDARDS

- IEC 60269-2
- RoHS compliance



# HelioProtection® NH fuse-links 800VAC

## NH gG 800VAC

### PRODUCT RANGE



NH3GG80V200

#### NH3C gG 800VAC Plain Blade

Catalog number	Item number	Rated current $I_n$	Pre-arcing $I^2t$	Clearing $I^2t$ at Rated Voltage	Breaking capacity $I_b$	Power dissipation at $I_n$	Power dissipation at $0.7 \times I_n$	Width	Package	Weight
NH3GG80V200	R1204180	200 A	70 kA <sup>2</sup> s	690 kA <sup>2</sup> s	120 kA	14.5 W	6.4 W	65 mm	3	0.79 kg
NH3GG80V250	S1204181	250 A	110 kA <sup>2</sup> s	1100 kA <sup>2</sup> s	120 kA	22 W	9.7 W	65 mm	3	0.79 kg



NH3GG80V250

#### NH3 gG 800VAC Plain Blade

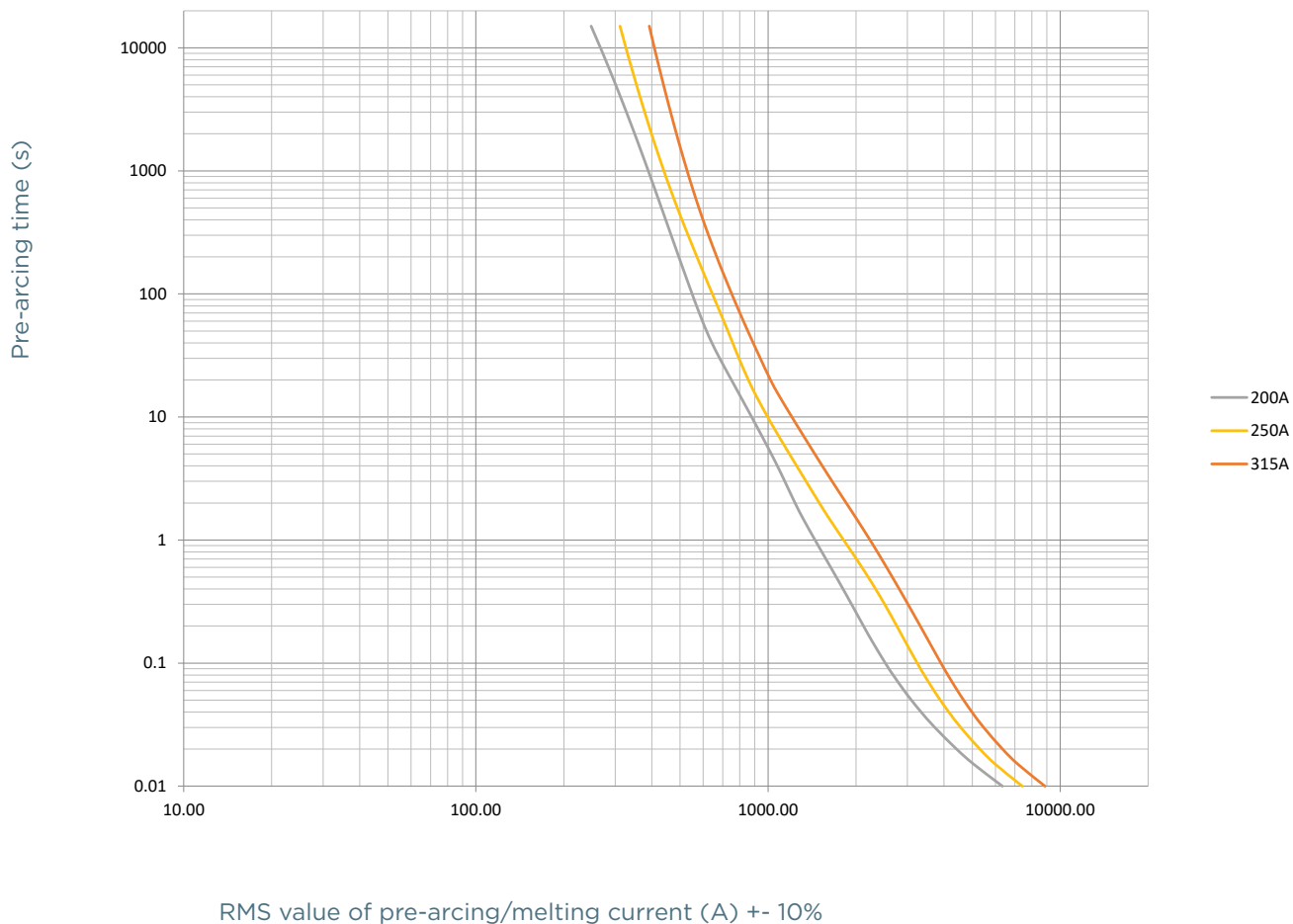
Catalog number	Item number	Rated current $I_n$	Pre-arcing $I^2t$	Clearing $I^2t$ at Rated Voltage	Breaking capacity $I_b$	Power dissipation at $I_n$	Power dissipation at $0.7 \times I_n$	Width	Package	Weight
NH3GG80V315	T1204182	315 A	140 kA <sup>2</sup> s	1340 kA <sup>2</sup> s	120 kA	29 W	12.8 W	73 mm	3	1.27 kg



NH3GG80V315

## TIME CURRENT CHARACTERISTIC CURVES

Special purpose gG fuse link NH3C 800V 200-250A, NH3 800V 315A

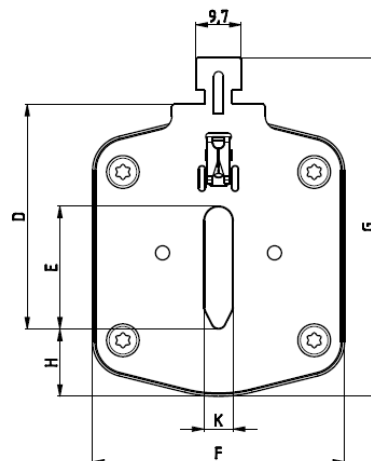
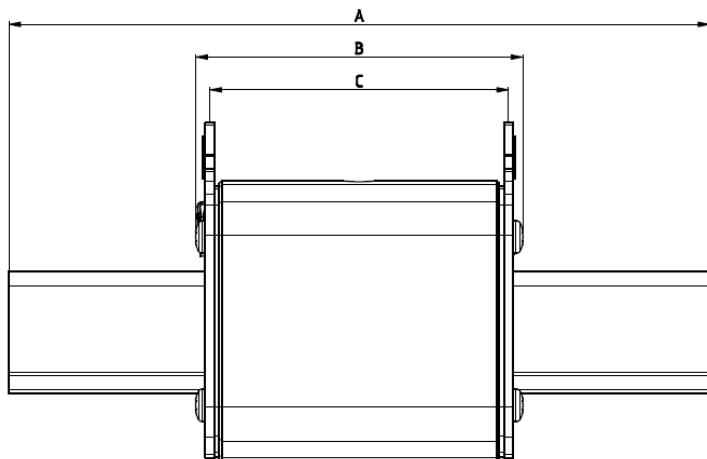


# HelioProtection® NH fuse-links 800VAC

## NH gG 800VAC

### DIMENSIONS

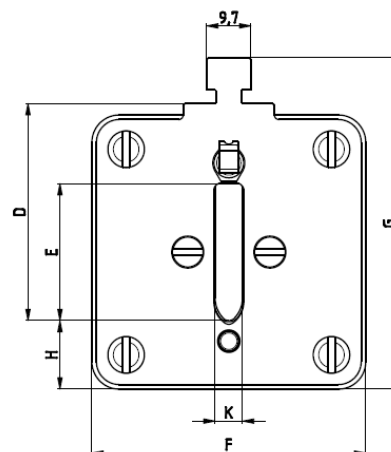
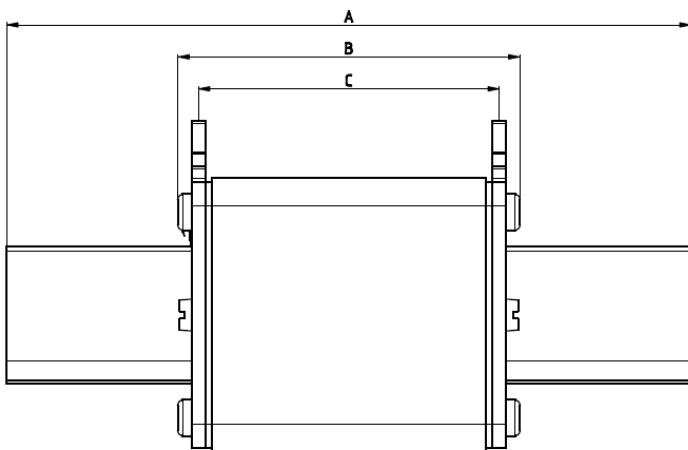
#### NH Size 3C Plain Blade



A	B	C	D	E	F	G	H	K
150	72	65	60	33	65	84	14	6

Dimensions in mm

#### NH Size 3 Plain Blade



A	B	C	D	E	F	G	H	K
150	74	70	60	37	73	87	13	6

Dimensions in mm