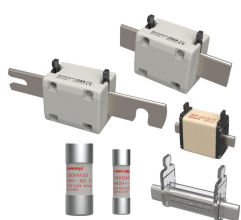


Low voltage fuse-links ENEDIS

LOW VOLTAGE IEC FUSES

IEC CYLINDRICAL AND NH FUSE-LINKS



Range of fuses developed to protect the low voltage public network, is used together with circuit breakers.

This range is able to clear high short-circuit currents but also over-currents after a variable duration defined by their time-current characteristics.

TECHNICAL DATA OVERVIEW

Voltage AC	440 VAC
Ampere Range (A)	30 ... 400 A
Speed/Characteristic	aD
Body Material	Ceramic and plastic
Product Size	14x51, 22x58, size 00, size 2

FEATURES & BENEFITS

- Low power dissipation fuses
- Dimensions according to technical specification Enedis NH 63-S-20 and NH 63-S-83

APPLICATIONS

- To be use associated with circuit breaker
- LV distribution panels
- Meter cabinets
- Switching cabinets

STANDARDS

- Technical specification HN 63-S-20 / 83
- IEC 60269-1-3



Low voltage fuse-links ENEDIS

PRODUCT RANGE

Cylindrical 14x51 - AD



Catalog number	Item number	ENEDIS Number	Rated voltage AC (IEC)	Rated current I_n	Rated breaking capacity AC	Power dissipation at 1.1 I_n	Package	Weight
14AD44V30	M200755	69 42 617	440 V	30 A	20 kA	1.7 W	10	19.6 g

14AD44V30

Cylindrical 22x58 - AD



Catalog number	Item number	ENEDIS Number	Rated voltage AC (IEC)	Rated current I_n	Rated breaking capacity AC	Power dissipation at 1.1 I_n	Package	Weight
22AD44V30	V200762	69 42 626	440 V	30 A	20 kA	1.7 W	10	51 g
22AD44V45	K201305	69 42 634	440 V	45 A	20 kA	2.9 W	10	51 g
22AD44V60	T201819	69 42 638	440 V	60 A	20 kA	4.2 W	10	51 g

22AD44V30

Neutral Link 14x51 AD



Catalog number	Item number	ENEDIS Number	Rated voltage AC (IEC)	Package	Weight
14AD44V-N	L228032	69 42 664	440 V	10	8.5 g

14AD44V-N

Neutral Link 22x58 AD



Catalog number	Item number	ENEDIS Number	Rated voltage AC (IEC)	Package	Weight
22AD44V-N	M228033	69 42 669	440 V	10	16.5 g

22AD44V-N

AD Fuse-links Size 00



Catalog number	Item number	ENEDIS Number	Rated voltage AC (IEC)	Rated current I_n	Rated breaking capacity AC	Power dissipation at 1.1 I_n	Package	Weight
NH00AD30	D1200580	69 43 516	440 V	30 A	20 kA	1.4 W	3	0.19 kg
NH00AD45	S1200570	69 43 514	440 V	45 A	20 kA	2.1 W	3	0.19 kg
NH00AD60	C1200579	69 43 513	440 V	60 A	20 kA	3.1 W	3	0.19 kg
NH00AD90	T1200571	69 43 520	440 V	90 A	20 kA	4.7 W	3	0.19 kg

NH00AD60

Low voltage fuse-links ENEDIS

PRODUCT RANGE

Neutral Links Size 00



Catalog number	Item number	ENEDIS Number	Rated voltage AC (IEC)	Package	Weight
6943512-ENEDIS	X1200574	69 43 512	440 V	12	66 g

6943512-ENEDIS

Blade Fuse-links Size 2 115mm - COMING SOON



Catalog number	Item number	ENEDIS Number	Rated voltage AC (IEC)	Rated current I _n	Rated breaking capacity AC	Package
6943007-ENEDIS	N1200566	69 43 007	440 V	125 A	50 kA	3
6943009-ENEDIS	P1200567	69 43 009	440 V	200 A	50 kA	3
6943013-ENEDIS	Q1200568	69 43 013	440 V	250 A	50 kA	3
6943016-ENEDIS	R1200569	69 43 016	440 V	400 A	50 kA	3

6943007-ENEDIS

Blade Fuse-links Size 2 160mm - COMING SOON



Catalog number	Item number	ENEDIS Number	Rated voltage AC (IEC)	Rated current I _n	Rated breaking capacity AC	Package
6943408-ENEDIS	Y1200575	69 43 408	440 V	125 A	50 kA	3
6943413-ENEDIS	Z1200576	69 43 413	440 V	200 A	50 kA	3
6943417-ENEDIS	A1200577	69 43 417	440 V	250 A	50 kA	3
6943424-ENEDIS	B1200578	69 43 424	440 V	400 A	50 kA	3

6943408-ENEDIS

Neutral Links Size 2 115mm



Catalog number	Item number	ENEDIS Number	Rated voltage AC (IEC)	Package	Weight
6943450-ENEDIS	V1200572	69 43 450	440 V	3	0.22 kg

6943450-ENEDIS

Neutral Links Size 2 160mm



Catalog number	Item number	ENEDIS Number	Rated voltage AC (IEC)	Package	Weight
6943449-ENEDIS	W1200573	69 43 449	440 V	3	0.29 kg

6943449-ENEDIS

NH Fuse Handle without arm protection



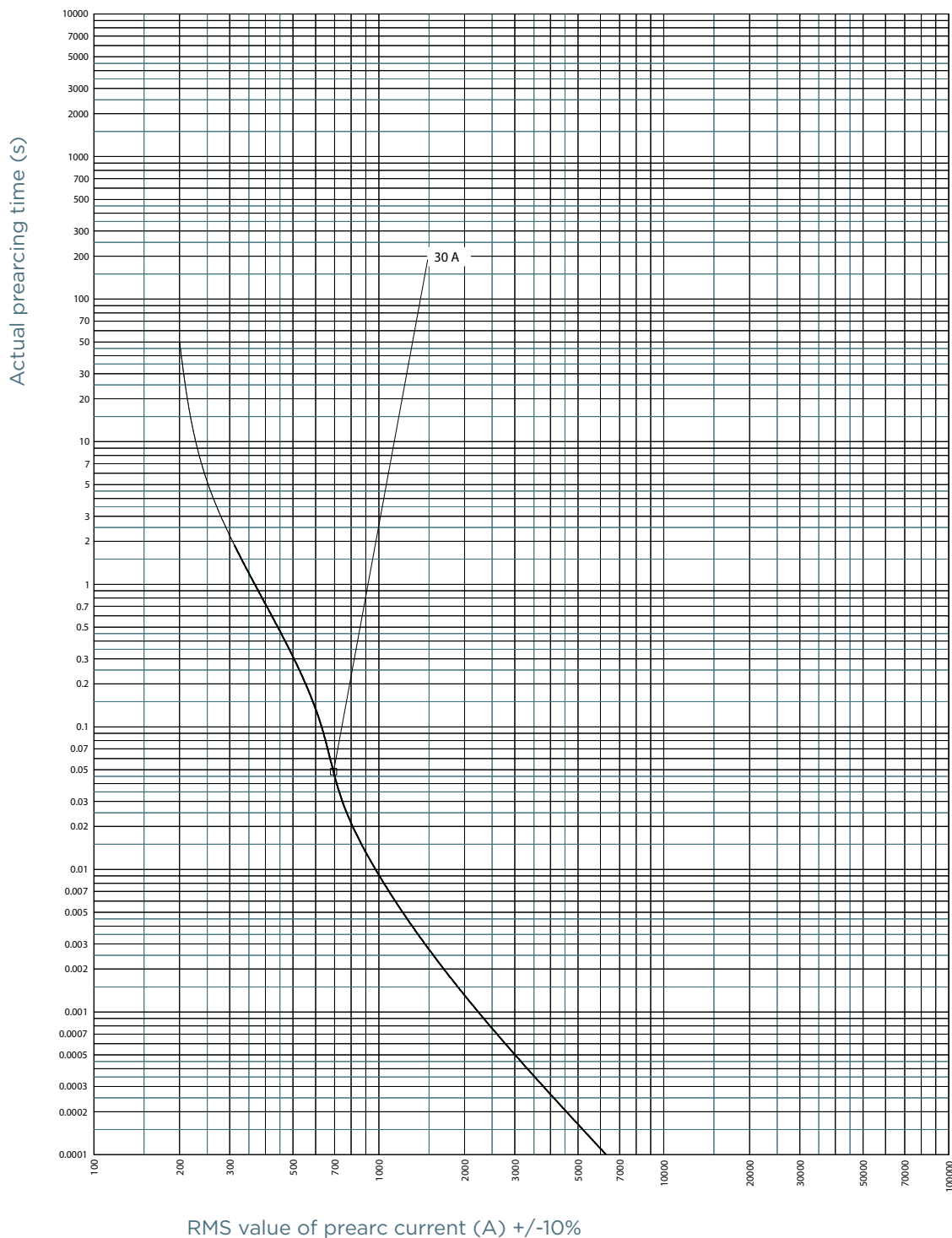
Catalog number	Item number	Size	Design	Package	Weight
NHHANDLE	P215592	00 to 4	without arm protection to DIN VDE 0636-2, DIN VDE 608-4	5/25	0.16 kg

NHHANDLE

Low voltage fuse-links ENEDIS

TIME CURRENT CHARACTERISTIC CURVES

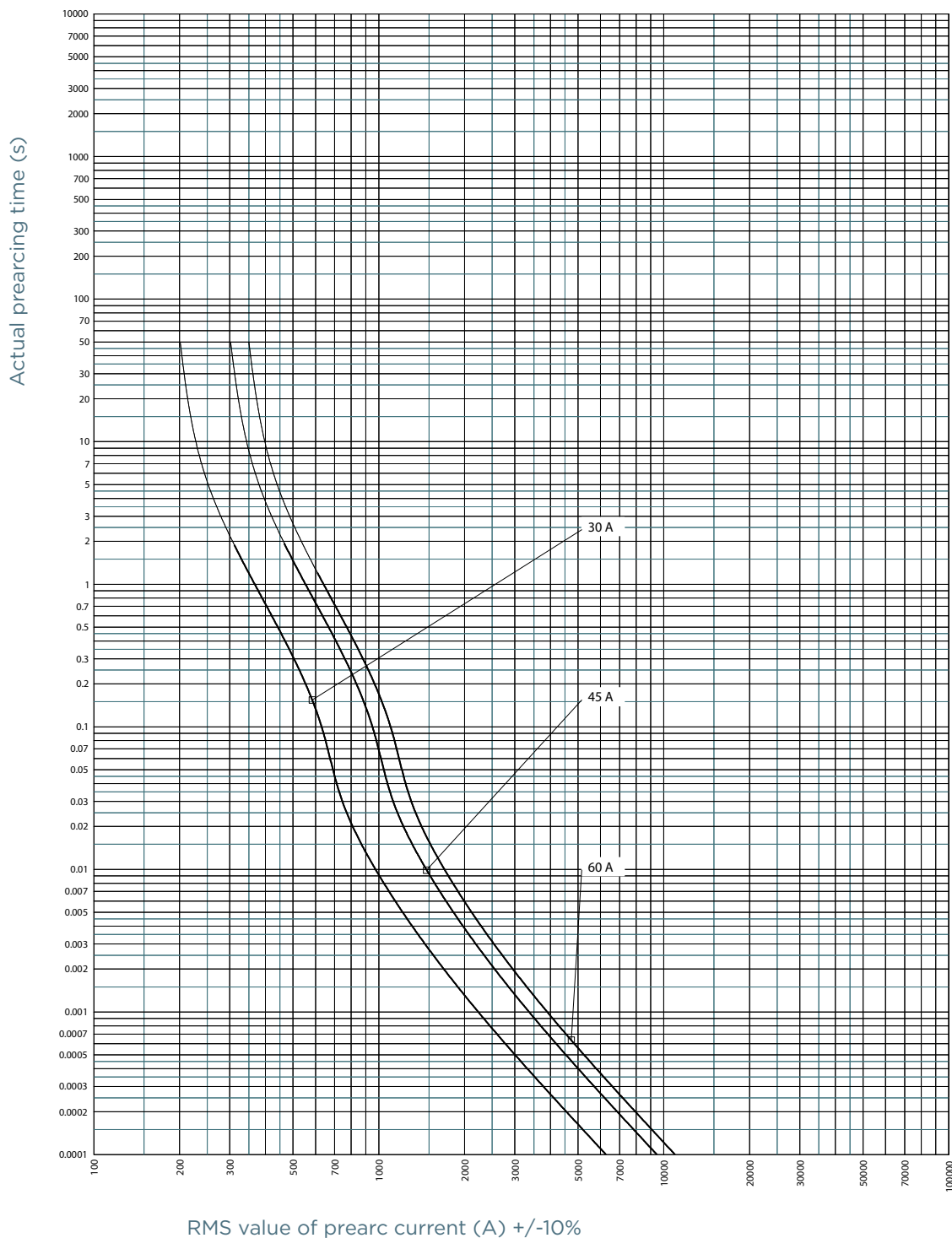
Cylindrical 14x51 - AD



Low voltage fuse-links ENEDIS

TIME CURRENT CHARACTERISTIC CURVES

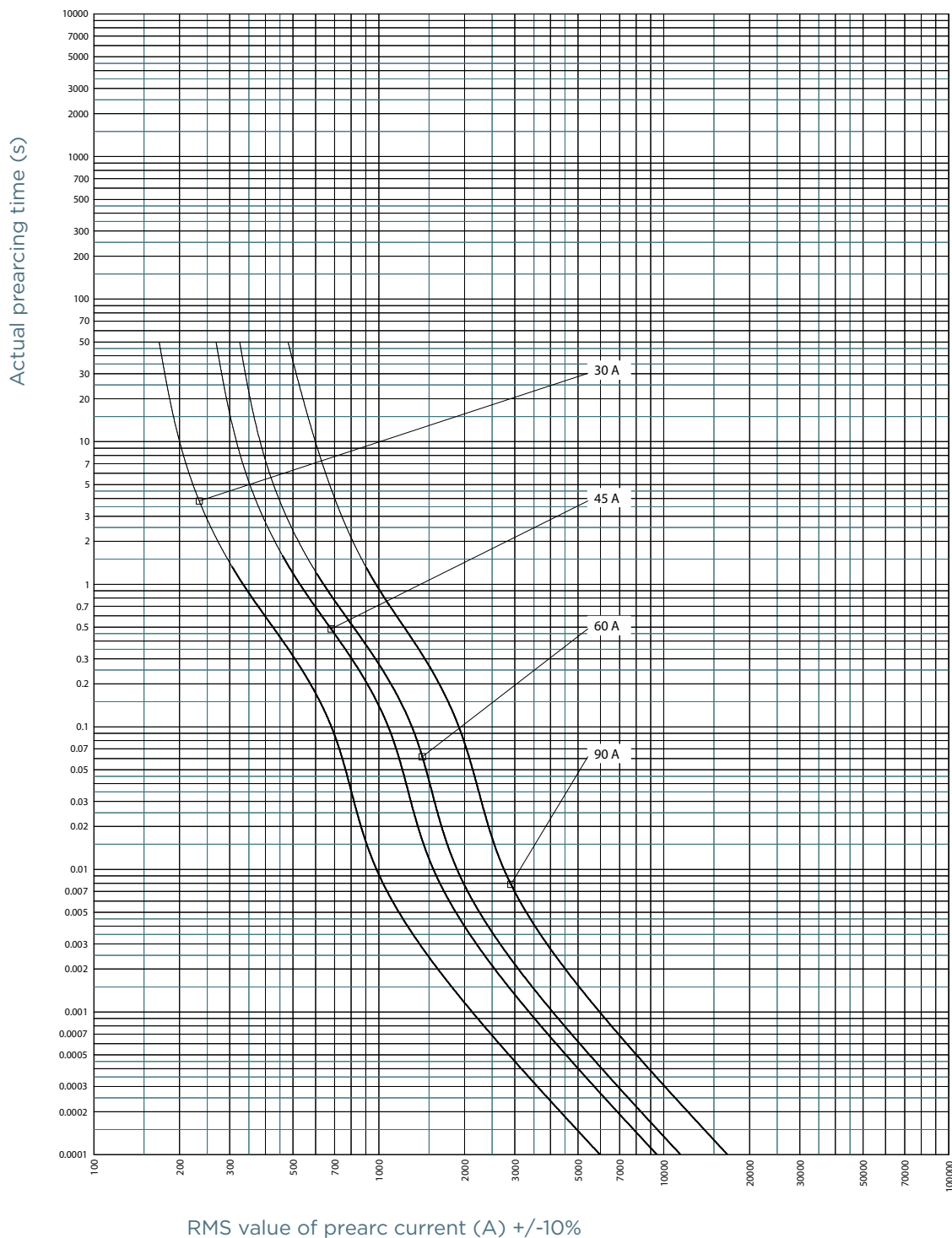
Cylindrical 22x58 - AD



Low voltage fuse-links ENEDIS

TIME CURRENT CHARACTERISTIC CURVES

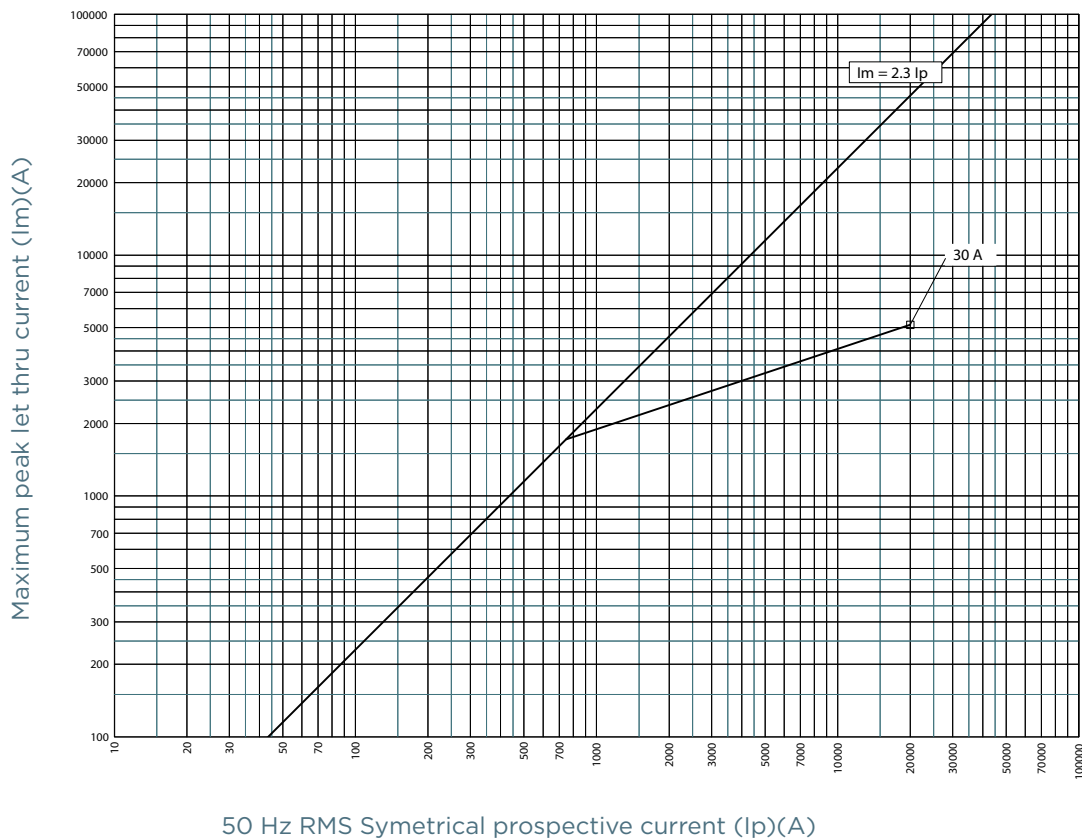
AD Fuse-links Size 00



Low voltage fuse-links ENEDIS

CUT-OFF CURRENT CHARACTERISTIC

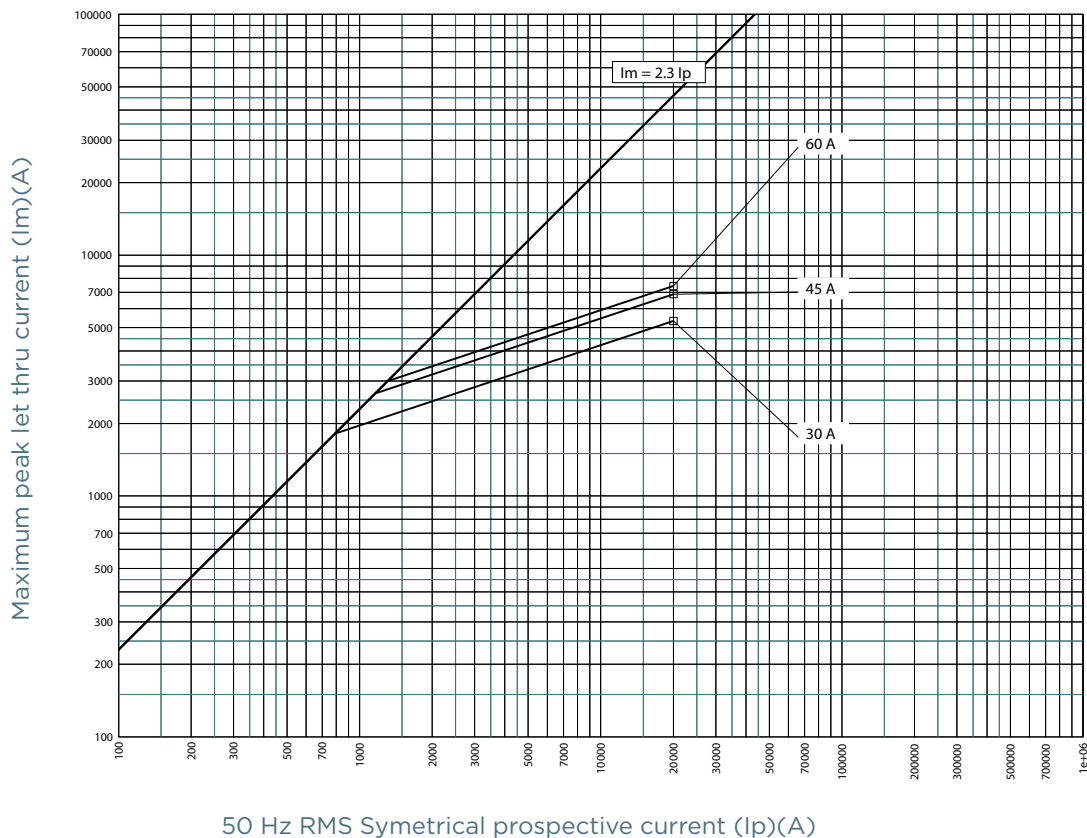
Cylindrical 14x51 - AD



Low voltage fuse-links ENEDIS

CUT-OFF CURRENT CHARACTERISTIC

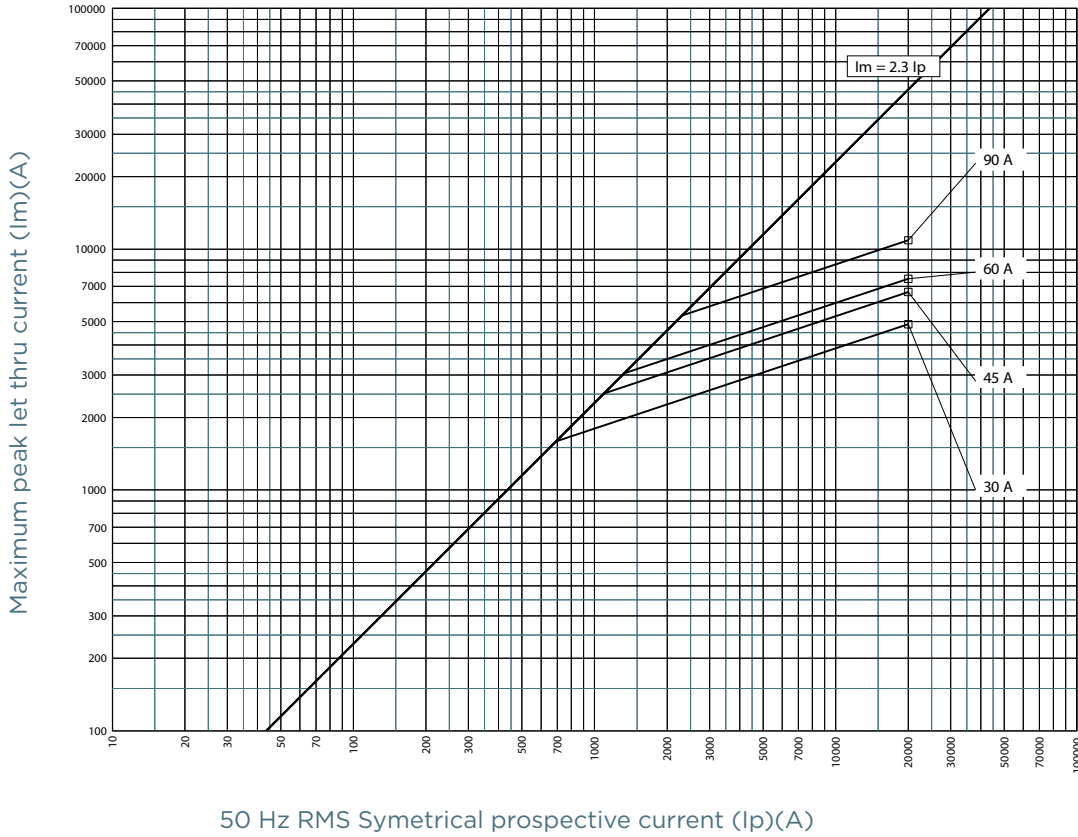
Cylindrical 22x58 - AD



Low voltage fuse-links ENEDIS

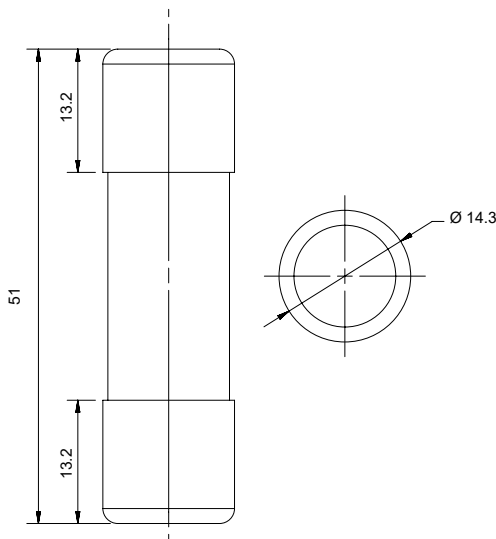
CUT-OFF CURRENT CHARACTERISTIC

AD Fuse-links Size 00



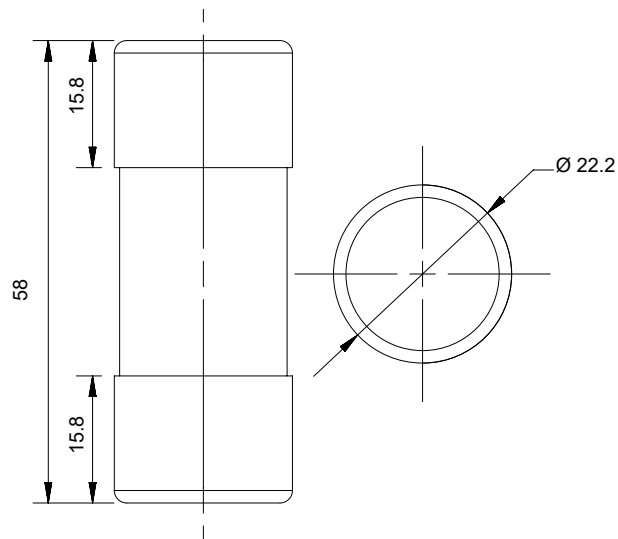
DIMENSIONS

Cylindrical 14x51 - AD



Dimensions in mm

Cylindrical 22x58 - AD

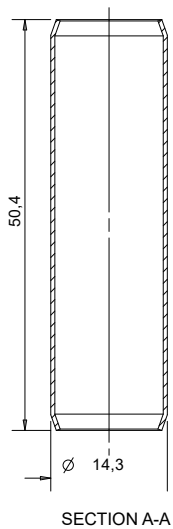


Dimensions in mm

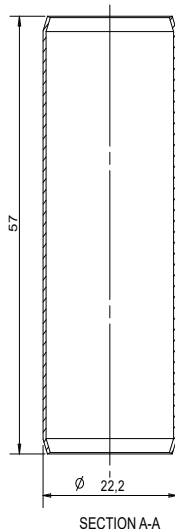
Low voltage fuse-links ENEDIS

DIMENSIONS

Neutral Link 14x51 AD Neutral Link 22x58 AD



Dimensions in mm

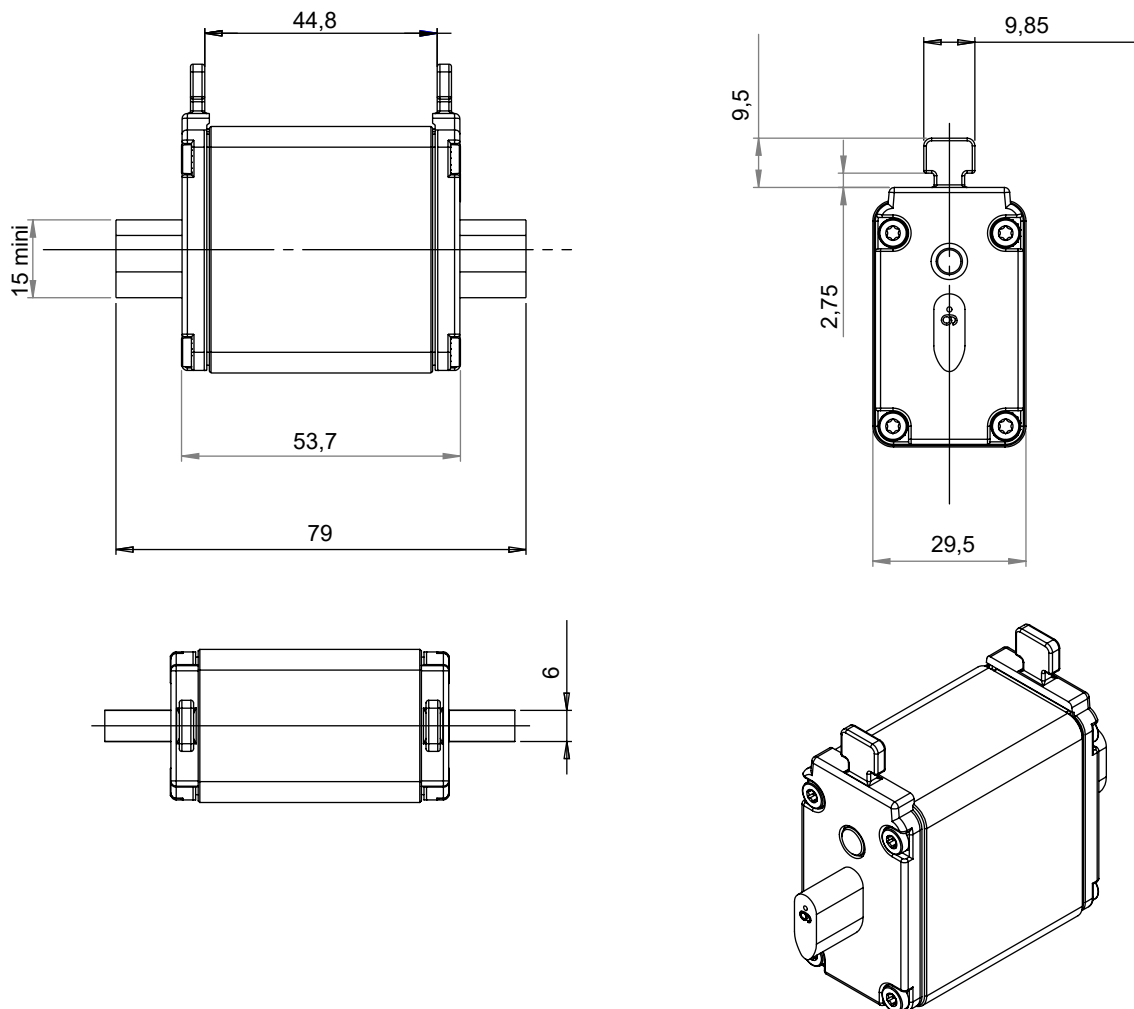


Dimensions in mm

Low voltage fuse-links ENEDIS

DIMENSIONS

AD Fuse-links Size 00

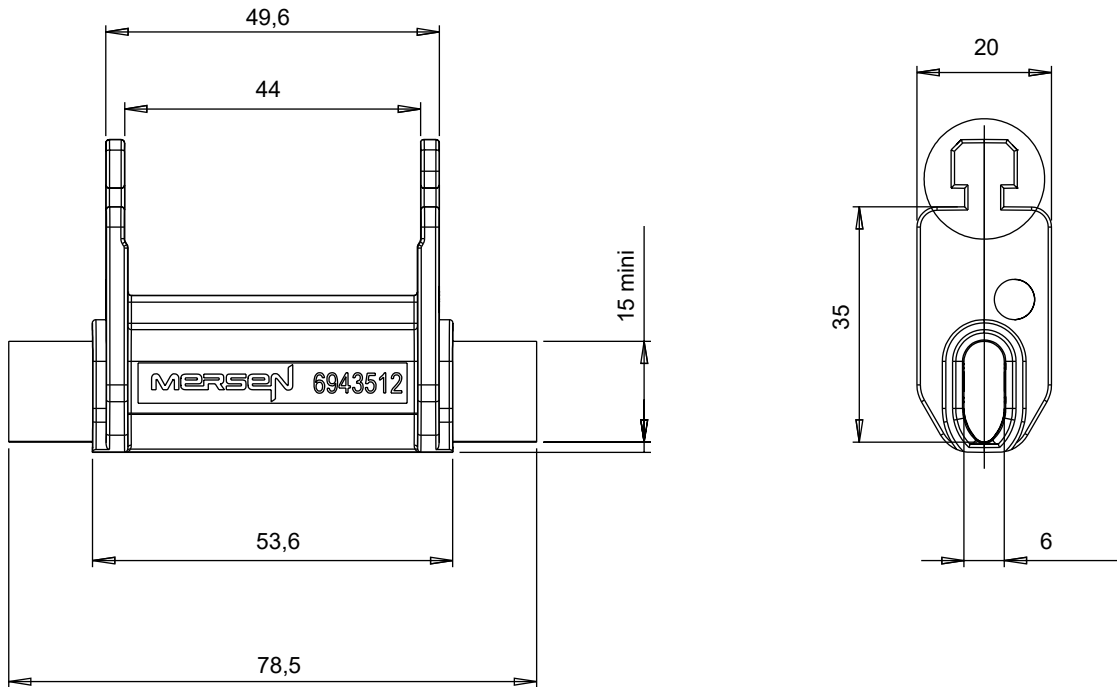


Dimensions in mm

Low voltage fuse-links ENEDIS

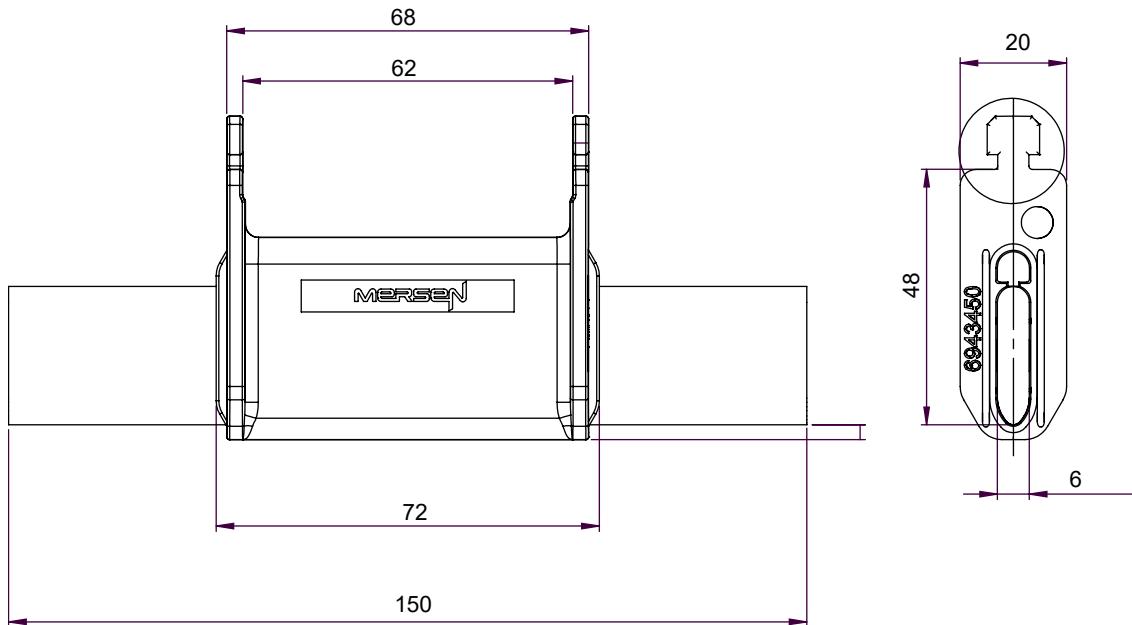
DIMENSIONS

Neutral Link size 00



Dimensions in mm

Neutral Link size 2 115mm



Dimensions in mm

