

Protistor® size 2x72 aR

1200VDC

SEMICONDUCTOR PROTECTION FUSES

SQUARE BODY HIGH-SPEED FUSE-LINKS DC PROTECTION



Mersen DC offers provide a very high performant protection for railway power and auxiliary circuits. Mersen DC Semiconductor fuse-links were developed to provide improved performance required by today's new DC equipment. These fuse-links are typically operated at more elevated temperature than other fuse type, have lower I^2t to minimize damage to protected components on short circuits, lower watt loss and longer life.

TECHNICAL DATA OVERVIEW

Voltage DC	1200 VDC
Ampere Range (A)	500 ... 840 A
Speed/Characteristic	aR
Product Size	2x72
Package	1

FEATURES & BENEFITS

- Low I^2t for improved semiconductor protection
- Extremely fast acting
- Excellent cycling capability

APPLICATIONS

- Protection of inverters
- Protection of motor drives
- Protection of UPS systems
- Protection of similar 1200V or less equipments
- Railway power and auxiliary circuits

STANDARDS

- IEC 60269-4 Compliance
- GB/T 13539.4-2016



Protistor® size 2x72 aR

1200VDC

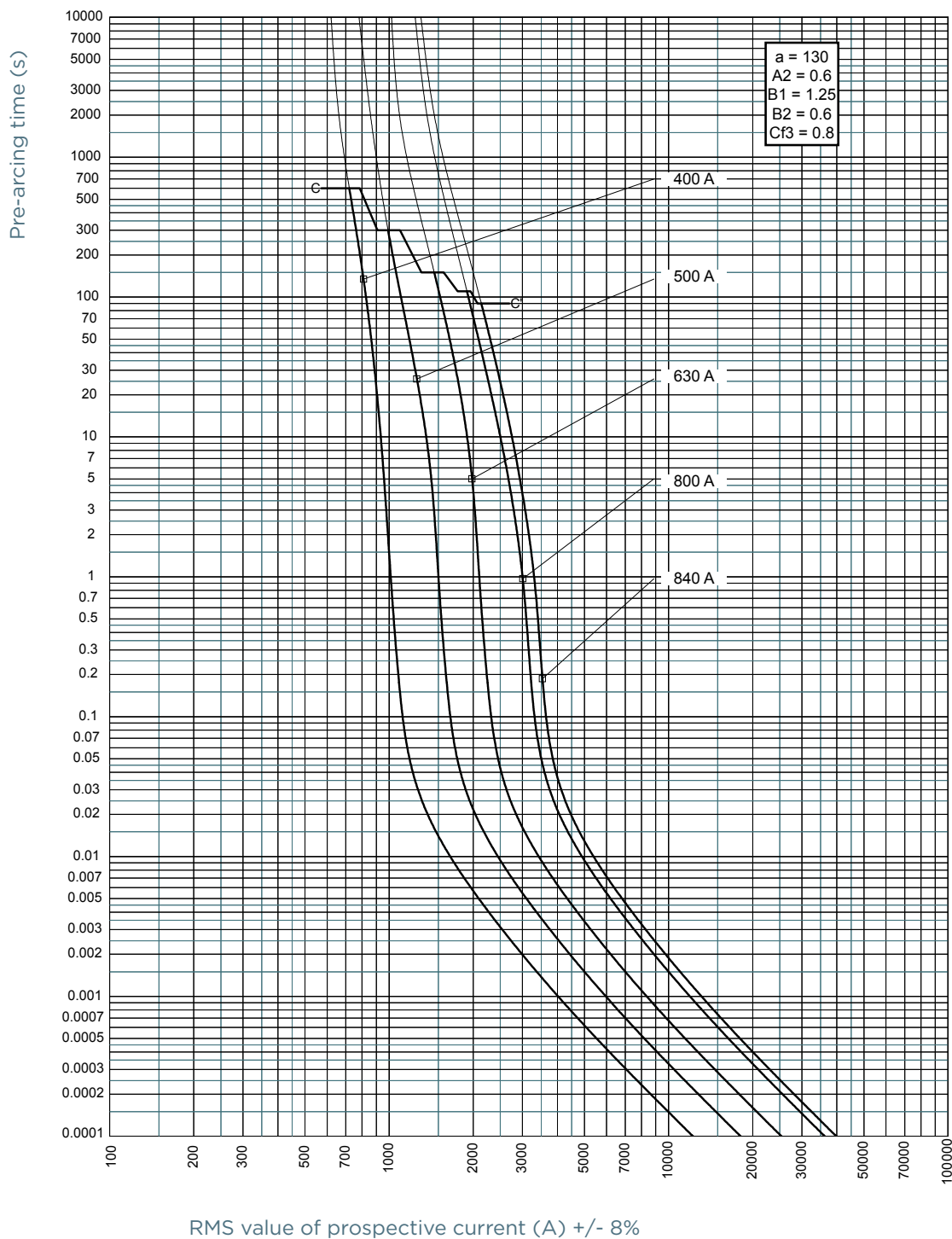
PRODUCT RANGE

Size 2x72 SR 1200VDC

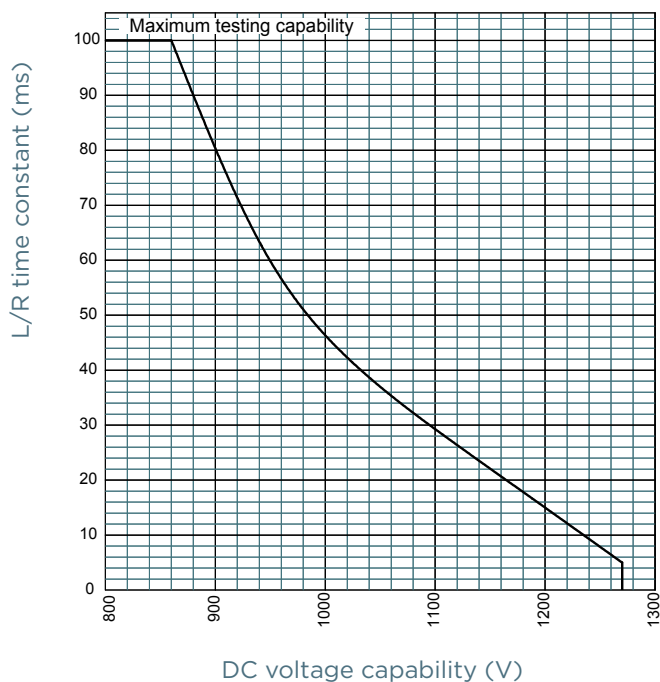
Catalog number	Item number	Rated voltage DC (IEC)	Rated current I_n	Rated breaking capacity DC	Max. total I^2t @1000V for L/R=15ms	Max. total I^2t @1000V for L/R=45ms	Power dissipation at I_n	Power dissipation at $0.8 I_n$
D272SG120V400QF	S077963	1200 V	400 A	100 kA	82 kA ² s	140 kA ² s	185 W	110 W
D272SG120V500QF	P077983	1200 V	500 A	100 kA	180 kA ² s	310 kA ² s	202 W	120 W
D272SG120V630QF	F079447	1200 V	630 A	100 kA	360 kA ² s	610 kA ² s	230 W	126 W
D272SG120V800QF	G079448	1200 V	800 A	100 kA	728 kA ² s	1250 kA ² s	270 W	139 W
D272SG120V840QF	H079449	1200 V	840 A	100 kA	880 kA ² s	1530 kA ² s	275 W	142 W

MERSEN reserves the right to change, update or correct, without notice, any information contained in this datasheet.

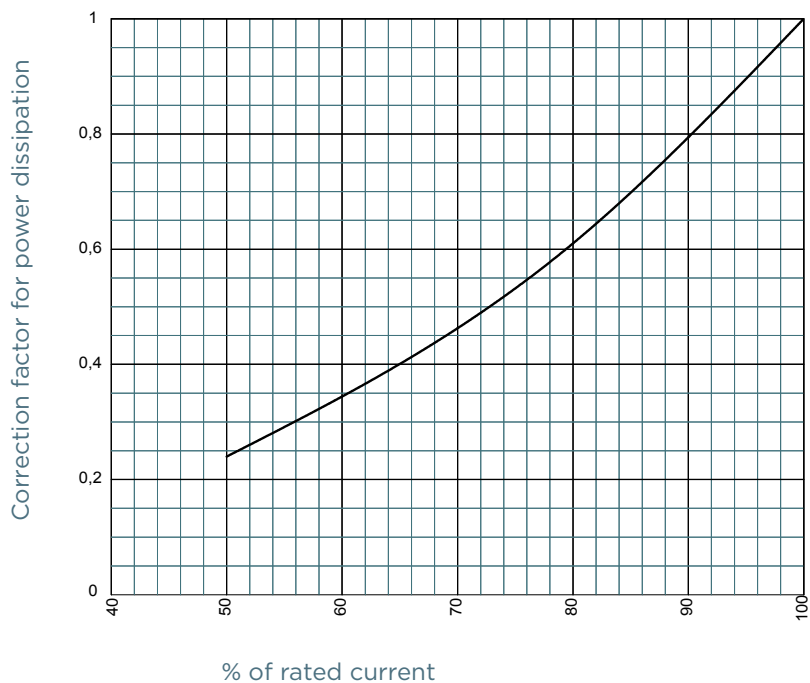
TIME CURRENT CHARACTERISTIC CURVES



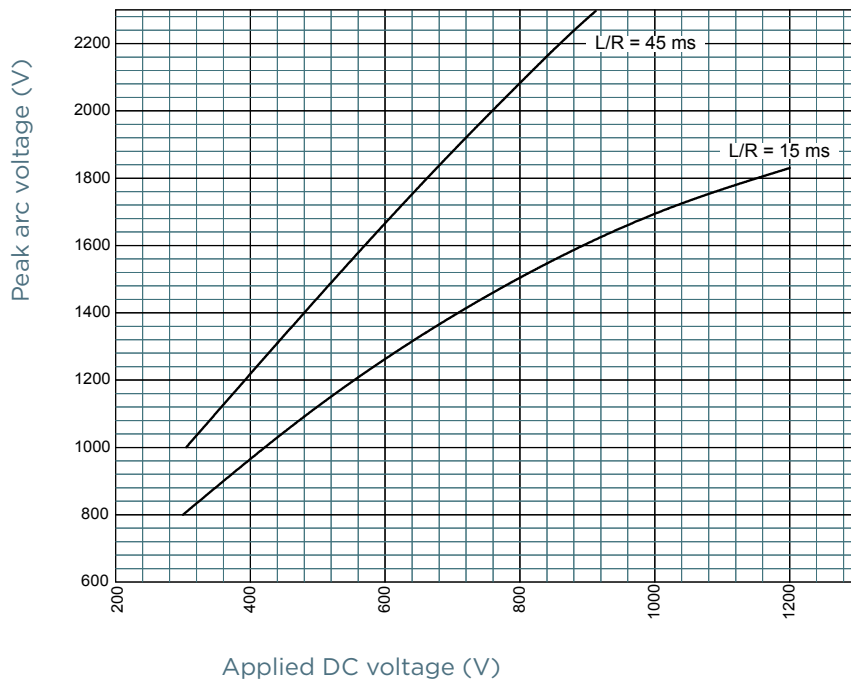
L/R TIME CONSTANT VS DC VOLTAGE CAPABILITY



POWER DISSIPATION



PEAK ARC VOLTAGE

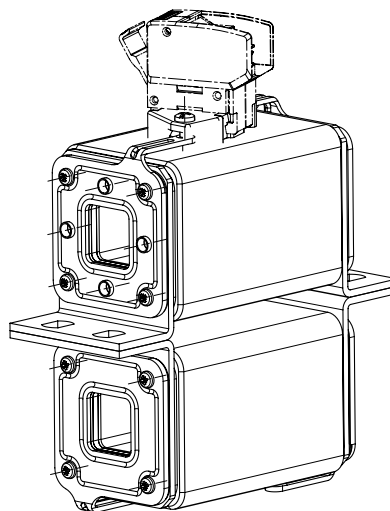
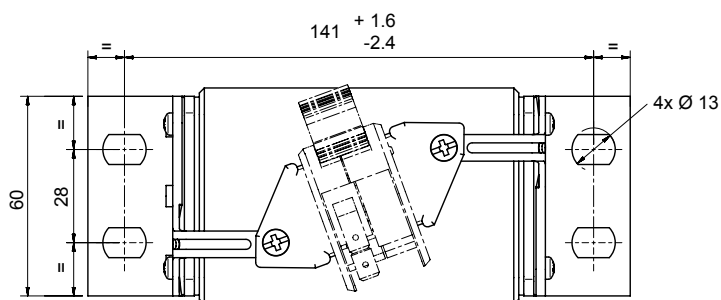
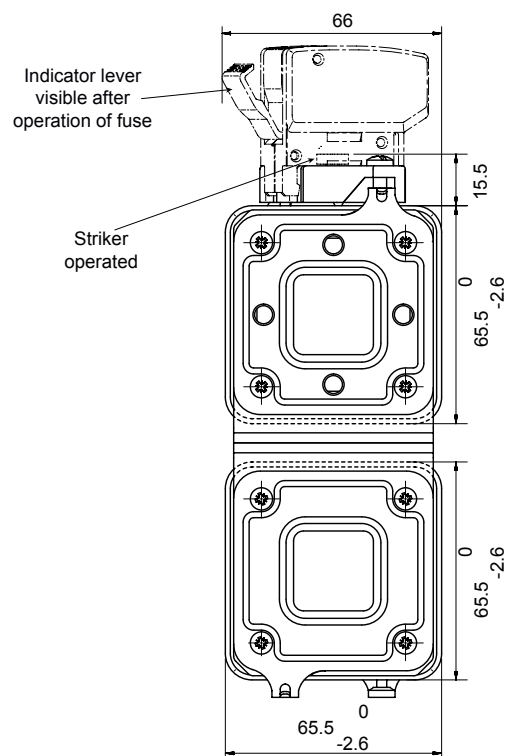
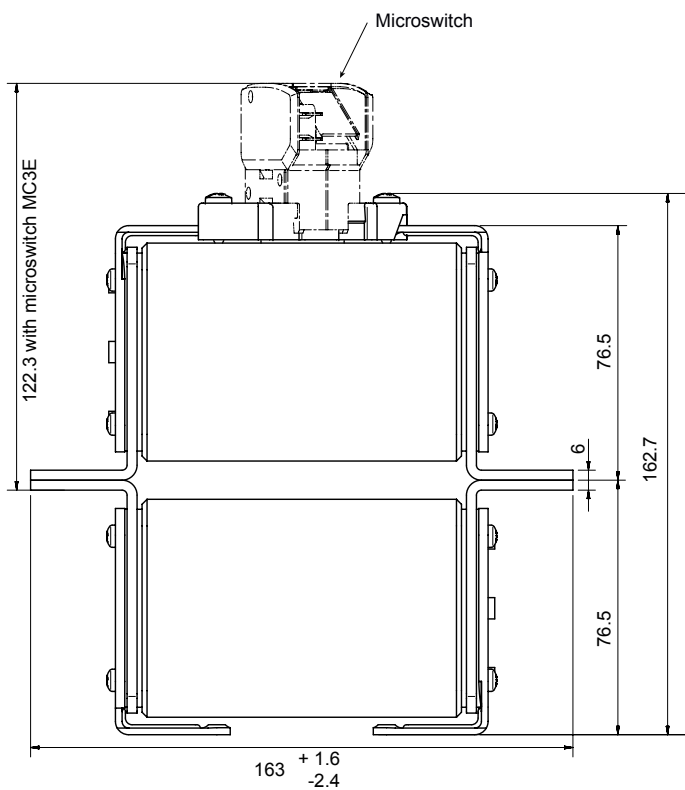


Protistor® size 2x72 aR

1200VDC

DIMENSIONS

Size 2x72 SR 1200VDC



Dimensions in mm