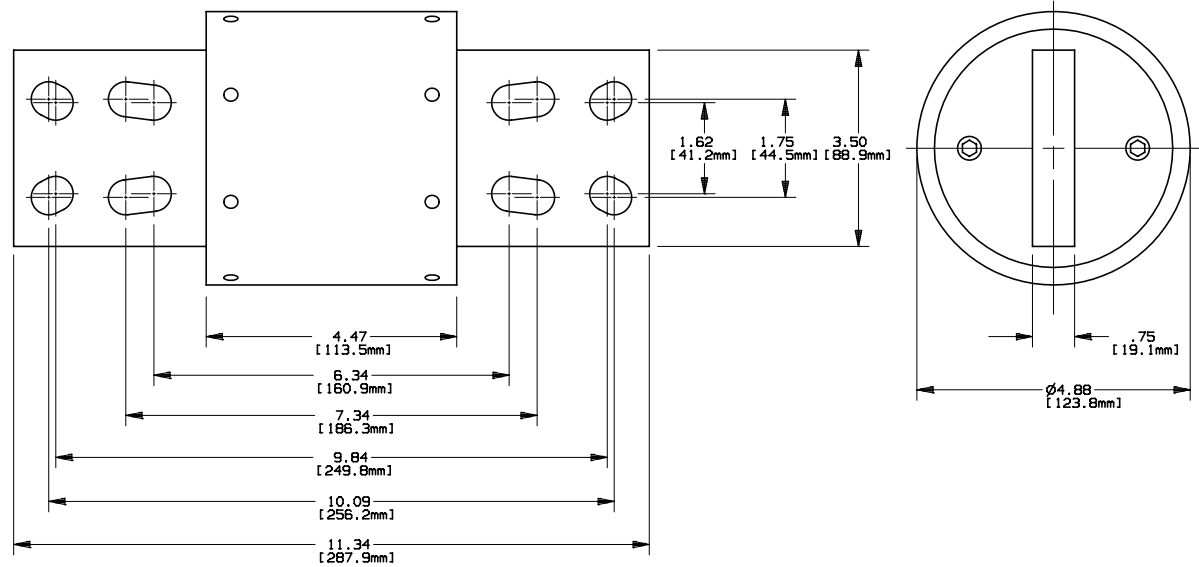


REV	DATE	ECO	DESCRIPTION	BY	CK	APP
D	4/1/04	N/A	UPDATED TO CURRENT STANDARD TUBE DIA WAS 5.00	ELO	N/A	N/A



FERRAZ SHAWMUT INC.
374 MERRIMAC STREET
NEWBURYPORT, MA 01950

A100P(1400-2000)-4
FORM 101 SEMICONDUCTOR FUSE
1400-2000A 1000V

OUTLINE DIMENSIONS
NOT TO BE USED FOR PRODUCTION

16350

PRODUCT MANAGER

DESIGN ENGINEER

SIGN:

SIGN:

DATE:

DATE: