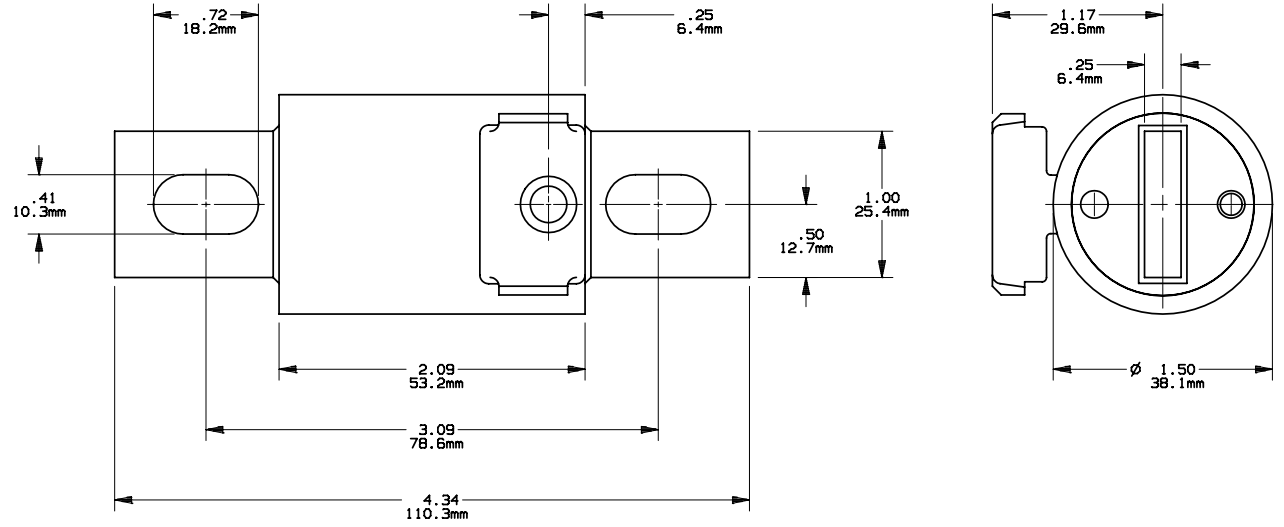



REV	DATE	ECO	DESCRIPTION	BY	CK	APP
A	10/29/07	NA	UPDATED FORMAT AND REDRAWN WAS ON DWG 17888 REV - REMOVED A50P(275,325)-4TA	JMM	NA	NA



	MERSEN USA NEWBURYPORT-MA, LLC 374 MERRIMAC STREET NEWBURYPORT, MA 01950
	PRODUCT MANAGER
DESIGN ENGINEER	SIGN: _____ DATE: _____

A50P(225, 250, 300, 350, 400) -4TA	
FORM 101	TYPE 4TA
225-400A	500V

OUTLINE DIMENSIONS NOT TO BE USED FOR PRODUCTION
17888