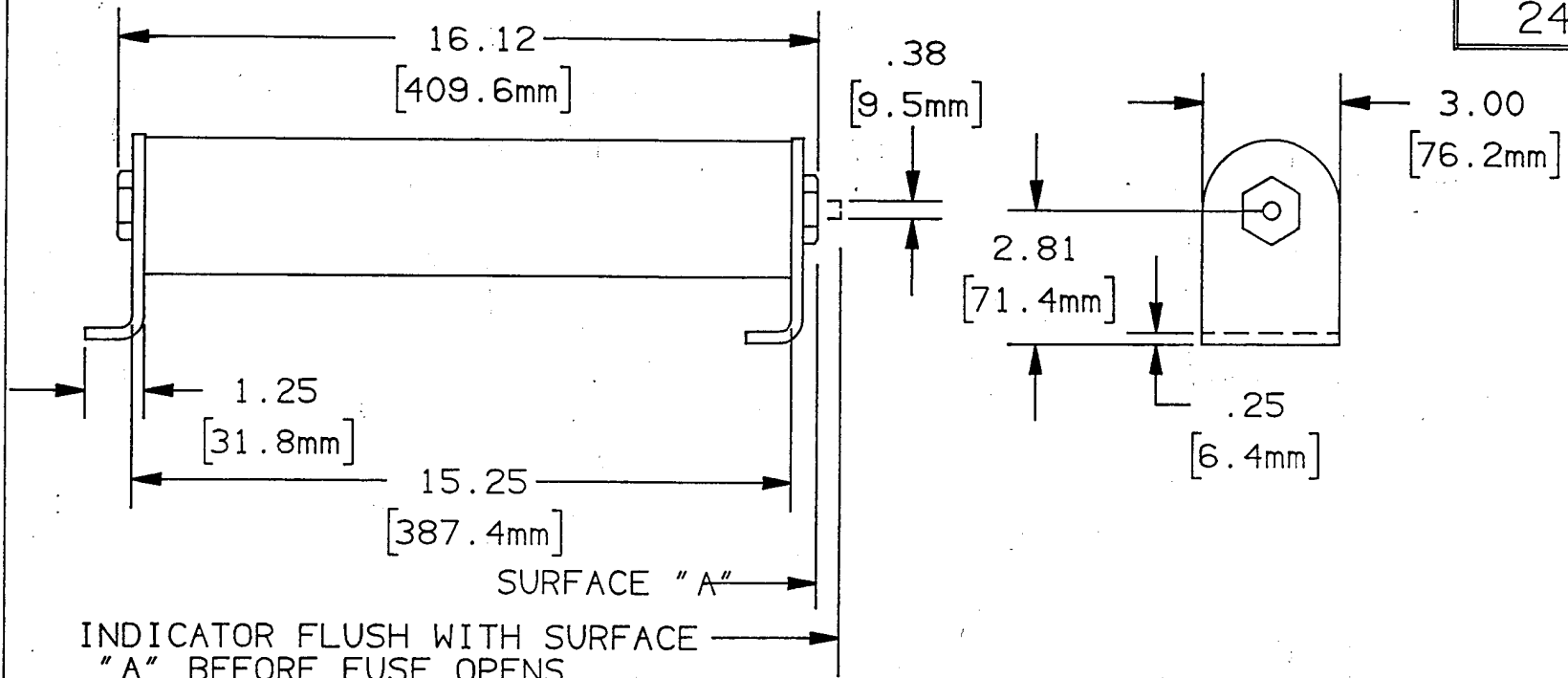


24401



INDICATOR FLUSH WITH SURFACE "A" BEFORE FUSE OPENS.  
 INDICATOR EXTENDS .50 (12.7mm) AFTER FUSE OPENS.  
 INDICATOR EXERTS 2 LBS FORCE AT END OF TRAVEL

RATING	CATALOG NO.	RATING	CATALOG NO.
10E	A055C1D0R0-10E	50E	A055C1D0R0-50E
15E	A055C1D0R0-15E	65E	A055C1D0R0-65E
20E	A055C1D0R0-20E	80E	A055C1D0R0-80E
25E	A055C1D0R0-25E	100E	A055C1D0R0-100E
30E	A055C1D0R0-30E	125E	A055C1D0R0-125E
40E	A055C1D0R0-40E	150E	A055C1D0R0-150E



**GOULD** 374 MERRIMAC STREET  
 NEWBURYPORT, MA 01950

PRODUCT MANAGER

SIGN: *A.C. Cleve*  
 DATE: *5/18/93*

DESIGN ENGINEER

SIGN: *L. O'Shields*  
 DATE: *1/29/93*

MEDIUM VOLTAGE AMP-TRAP  
 E-RATED GENERAL PURPOSE

CURRENT LIMITING FUSE  
 CL-14 SERIES, 10E TO 40E, 5.5KV MAX

OUTLINE DIMENSIONS  
 NOT TO BE USED FOR PRODUCTION

24401