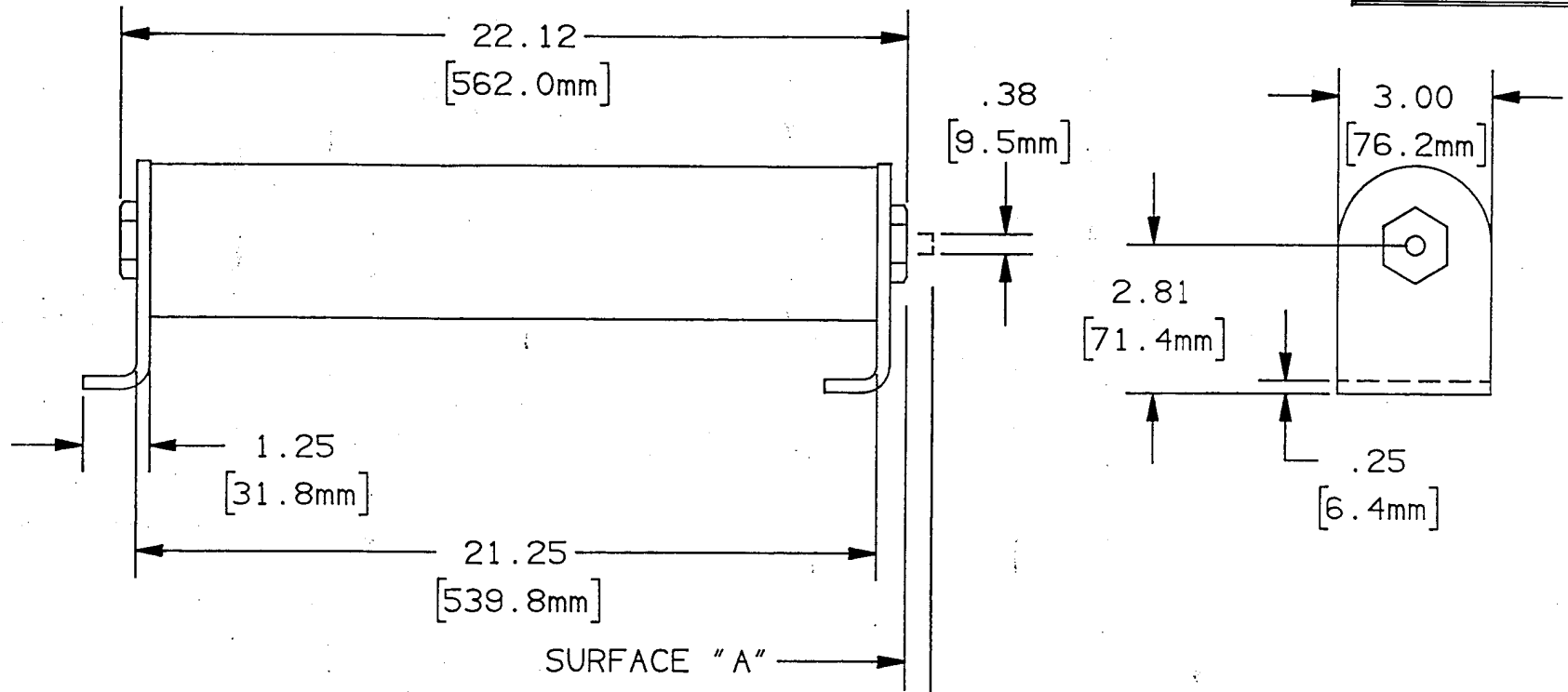


24402



INDICATOR FLUSH WITH SURFACE "A" BEFORE FUSE OPENS.
 INDICATOR EXTENDS .50 (12.7mm) AFTER FUSE OPENS.
 INDICATOR EXERTS 2 LBS FORCE AT END OF TRAVEL

RATING	CATALOG NO.
200E	A055C1D0R0-200E
250E	A055C1D0R0-250E
300E	A055C1D0R0-300E
400E	A055C1D0R0-400E

GOULD 374 MERRIMAC STREET
 NEWBURYPORT, MA 01950

PRODUCT MANAGER	DESIGN ENGINEER
SIGN: <i>H. C. Cline</i>	SIGN: <i>L. O. Shields</i>
DATE: 5/18/93	DATE: 1/29/93

MEDIUM VOLTAGE AMP-TRAP
 E-RATED GENERAL PURPOSE
 CURRENT LIMITING FUSE
 CL-14 SERIES, 200E TO 400E, 5.5KV MAX

OUTLINE DIMENSIONS
 NOT TO BE USED FOR PRODUCTION

24402