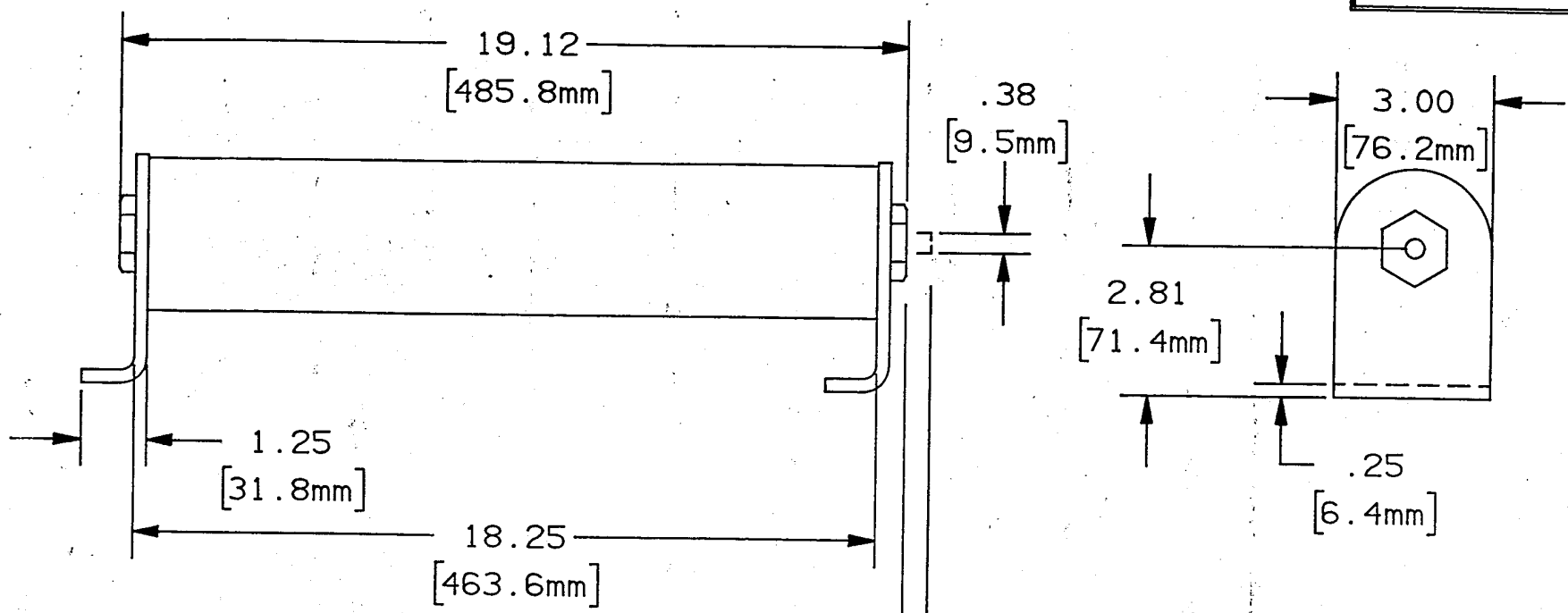


24403



SURFACE "A"

INDICATOR FLUSH WITH SURFACE "A" BEFORE FUSE OPENS.  
 INDICATOR EXTENDS .50 (12.7mm) AFTER FUSE OPENS.  
 INDICATOR EXERTS 2 LBS FORCE AT END OF TRAVEL

RATING	CATALOG NO.
10E	A155C1D0R0-10E
15E	A155C1D0R0-15E
20E	A155C1D0R0-20E
25E	A155C1D0R0-25E
30E	A155C1D0R0-30E
40E	A155C1D0R0-40E
50E	A155C1D0R0-50E

**GOULD** 374 MERRIMAC STREET  
 NEWBURYPORT, MA 01950

PRODUCT MANAGER SIGN: <i>F. C. Cleve</i> DATE: 5/18/93	DESIGN ENGINEER SIGN: <i>L. O'Shields</i> DATE: 1/29/93
--	---

MEDIUM VOLTAGE AMP-TRAP  
 E-RATED GENERAL PURPOSE  
 CURRENT LIMITING FUSE  
 CL-14 SERIES, 10E TO 50E, 15.5KV MAX

OUTLINE DIMENSIONS  
 NOT TO BE USED FOR PRODUCTION

24403