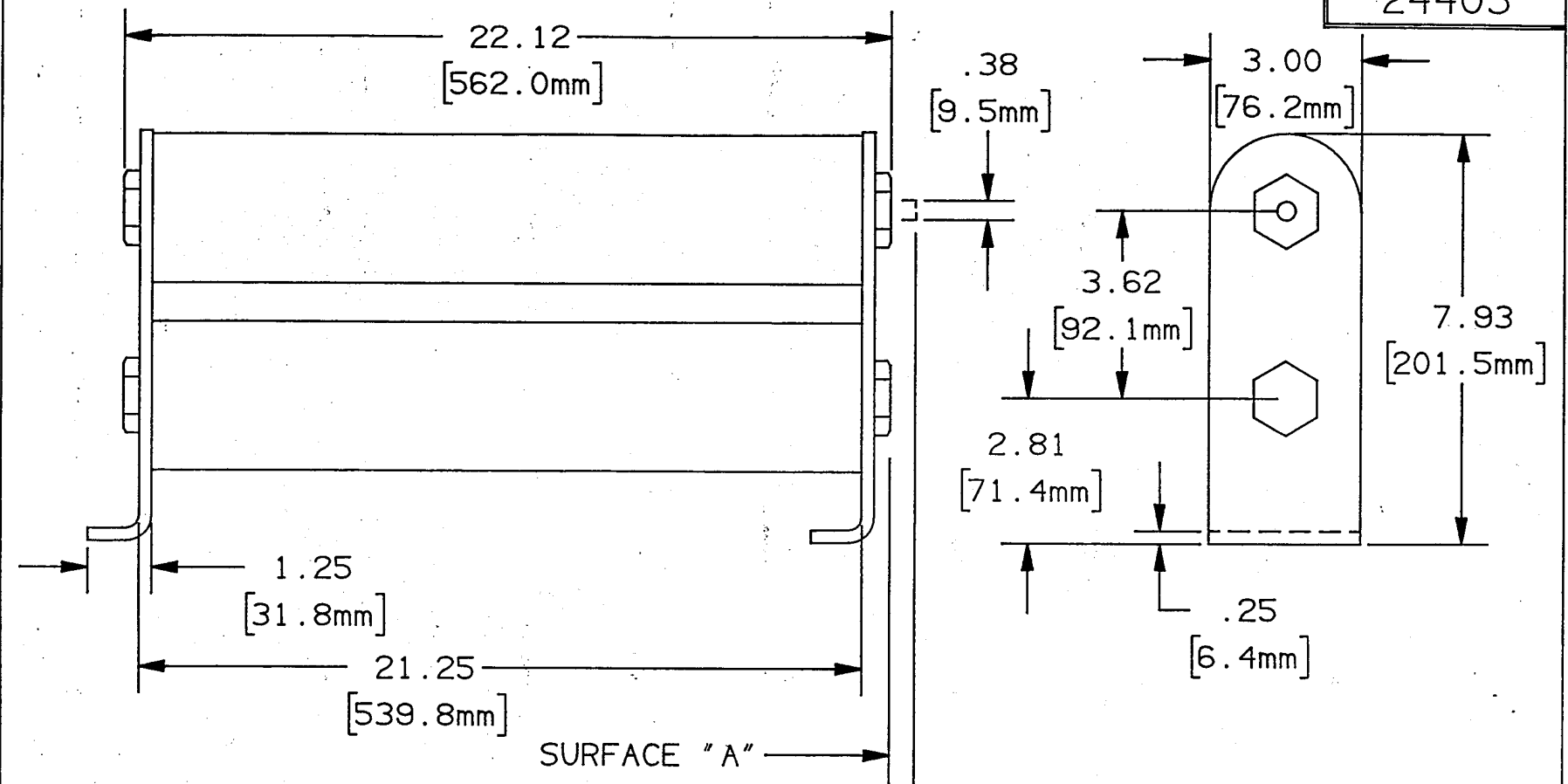


24405



INDICATOR FLUSH WITH SURFACE "A" BEFORE FUSE OPENS.  
 INDICATOR EXTENDS .50 (12.7mm) AFTER FUSE OPENS.  
 INDICATOR EXERTS 2 LBS FORCE AT END OF TRAVEL

RATING	CATALOG NO.
450E	A055C2D0R0-450E
500E	A055C2D0R0-500E
600E	A055C2D0R0-600E

**GOULD** 374 MERRIMAC STREET  
NEWBURYPORT, MA 01950

PRODUCT MANAGER	DESIGN ENGINEER
SIGN: <i>H. C. Clene</i>	SIGN: <i>L. O. Shields</i>
DATE: 5/18/93	DATE: 1/29/93

MEDIUM VOLTAGE AMP-TRAP  
 E-RATED GENERAL PURPOSE  
 CURRENT LIMITING FUSE  
 CL-14 SERIES, 450E TO 600E, 5.5KV MAX

OUTLINE DIMENSIONS  
 NOT TO BE USED FOR PRODUCTION

24405