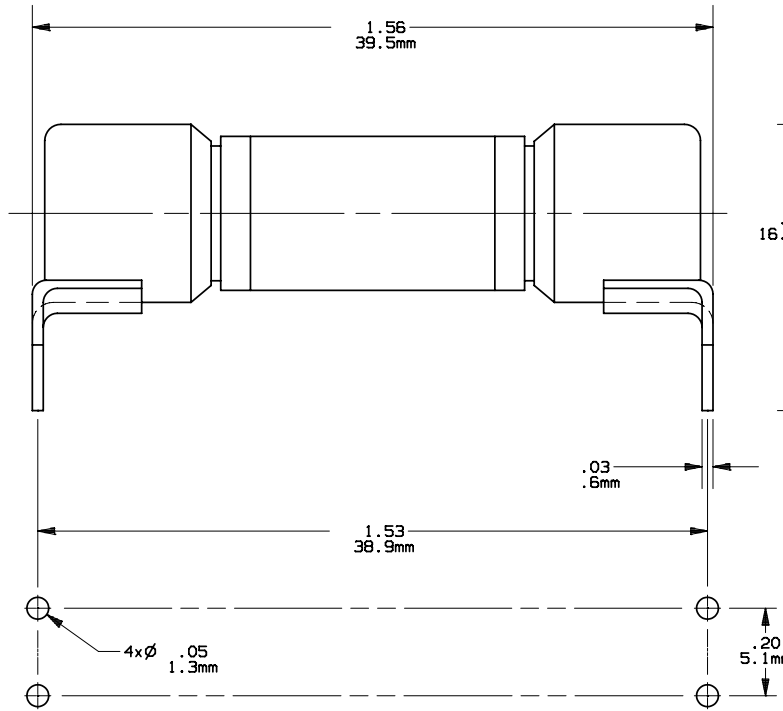
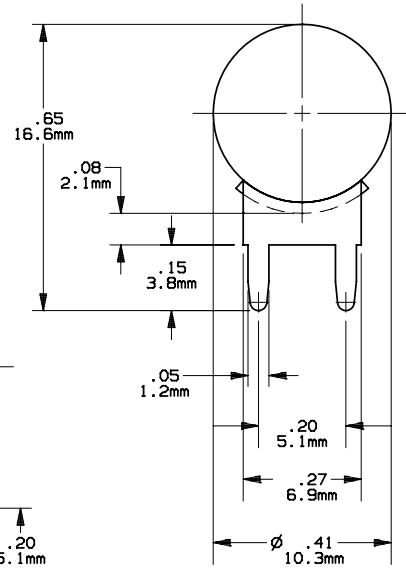


REV	DATE	ECO	DESCRIPTION	BY	CK	APP
B	2-28-08	NA	UPDATED OUTLINE FORMAT AND REVISED DIMENSIONS	LDB	NA	NA



MOUNTING HOLE DETAIL



NOTE: FOR .062(1.6mm) NOMINAL  
CIRCUIT BOARD THICKNESS



MERSEN USA NEWBURYPORT-MA, LLC  
374 MERRIMAC STREET  
NEWBURYPORT, MA 01950

PRODUCT MANAGER

DESIGN ENGINEER

SIGN:  
DATE:

SIGN:  
DATE:

PCT(1-30)-H

PC MOUNT FUSE

1-30A 500VAC OR LESS

OUTLINE DIMENSIONS  
NOT TO BE USED FOR PRODUCTION

700036