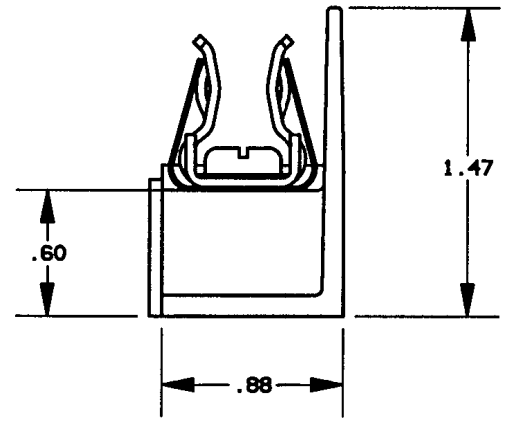
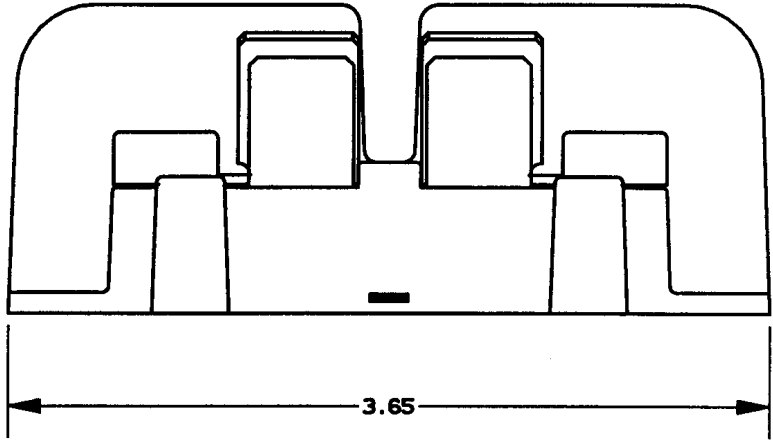
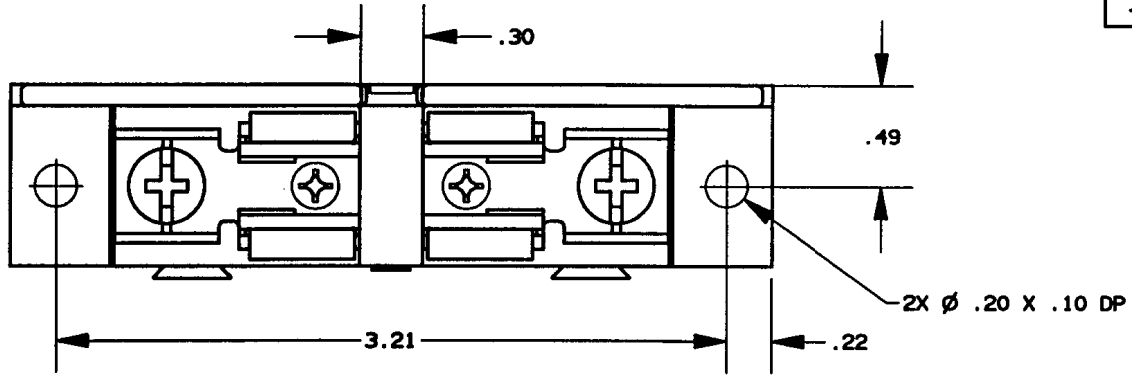


REV	DATE	ECO	DESCRIPTION	BY	CK	APP
-	27AUG97	N/A	INITIAL RELEASE	PRR	N/A	N/A



P/N	CONN TYPE	RMS SYM RATING	TORQUE (IN-LBS)	WIRE		U/L		CSA
				°C	TYPE	FILE NO.	GUIDE NO.	REPORT NO.
30315T	SCREW	200K	20	60/75	CU ONLY	E52283	IZLT	LR32169

- NOTES:
1. TOLERANCES ± .015 UNLESS OTHERWISE SPECIFIED.
 2. MATERIAL COMPOSITION AND RATING THERMOPLASTIC - 125°C RTI.

GOULD 374 MERRIMAC STREET
NEWBURYPORT, MA 01950

PRODUCT MANAGER SIGN: <i>Michael Dwyer</i> DATE: 9-15-97	DESIGN ENGINEER SIGN: <i>Steve M...</i> DATE: 9/12/97
---	--

FUSE BLOCK, 300V-30A, ADDER
CLASS T

OUTLINE DIMENSIONS
NOT TO BE USED FOR PRODUCTION

700188