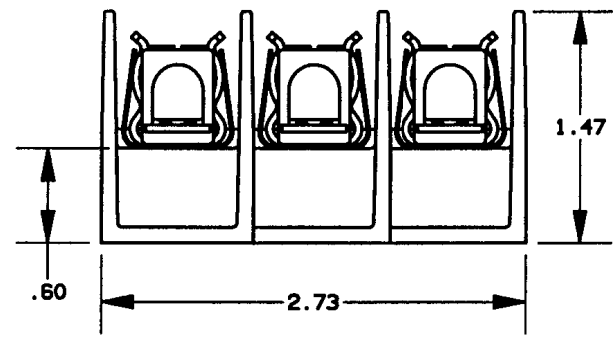
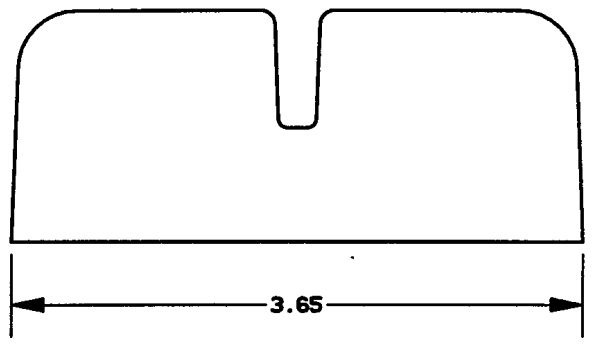
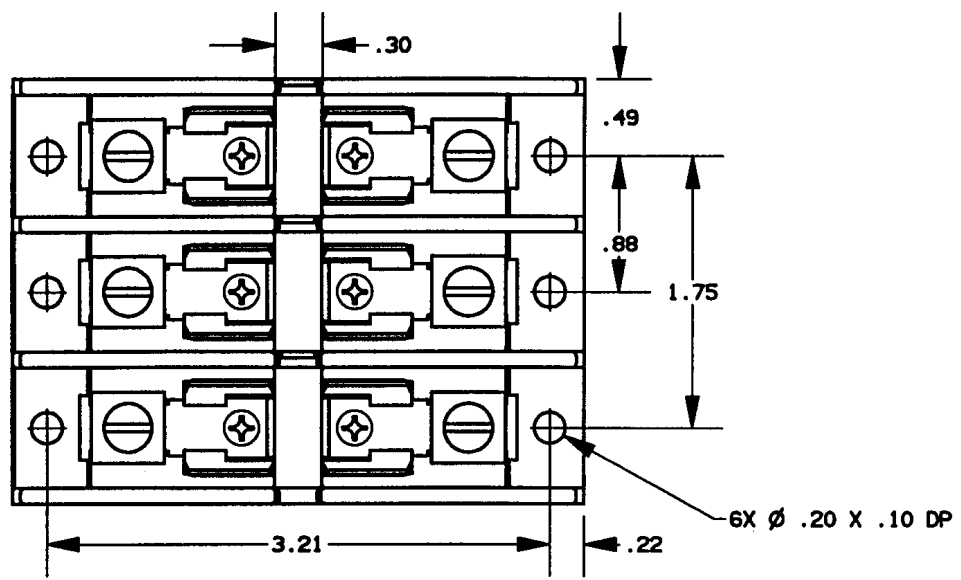


REV	DATE	ECO	DESCRIPTION	BY	CK	APP
-	26AUG97	N/A	INITIAL RELEASE	PRR	N/A	N/A



P/N	CONN TYPE	RMS SYM RATING	TORQUE (IN-LBS)	WIRE		U/L		CSA
				°C	TYPE	FILE NO.	GUIDE NO.	REPORT NO.
30608T	AL BOX	200K	45	60/75	CU-AL	E52283	IZLT	LR32169

NOTES:
 1. TOLERANCES ± .015 UNLESS OTHERWISE SPECIFIED.
 2. MATERIAL COMPOSITION AND RATING THERMOPLASTIC-125°C RTI.

GOULD 374 MERRIMAC STREET
 NEWBURYPORT, MA 01950

PRODUCT MANAGER SIGN: <i>Michael Amick</i> DATE: 9-15-97	DESIGN ENGINEER SIGN: <i>Steve M. Boy</i> DATE: 9/13/97
--	---

**FUSE BLOCK, 300V-60A, 3 POLE
 CLASS T**

OUTLINE DIMENSIONS
 NOT TO BE USED FOR PRODUCTION

700216