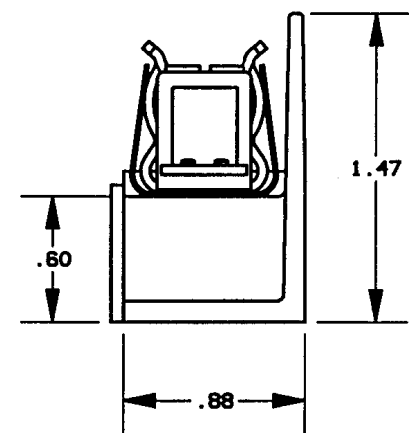
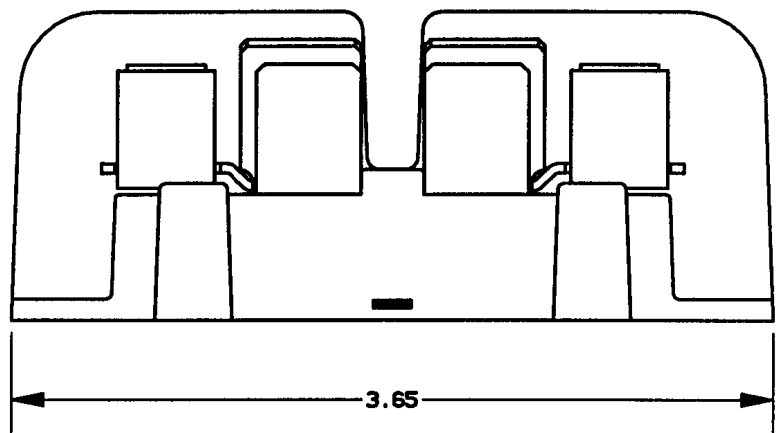
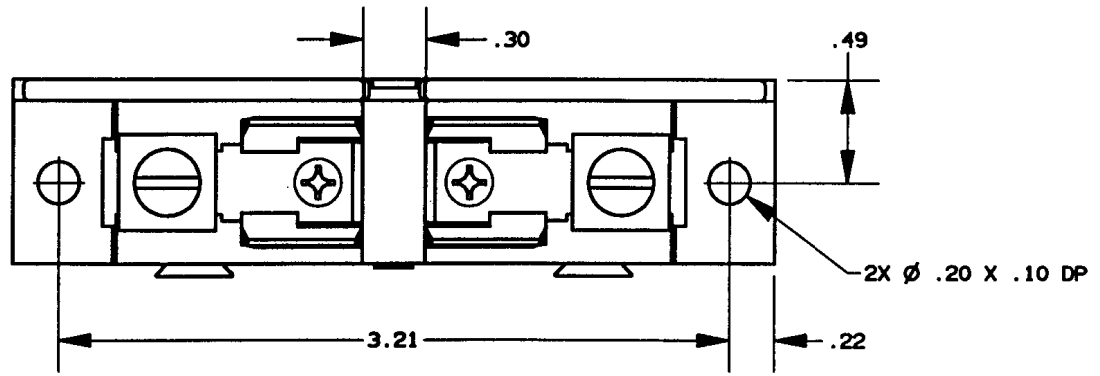


REV	DATE	ECO	DESCRIPTION	BY	CK	APP
-	26AUG97	N/A	INITIAL RELEASE	PRR	N/A	N/A



P/N	CONN TYPE	RMS SYM RATING	TORQUE (IN-LBS)	WIRE		U/L		CSA
				°C	TYPE	FILE NO.	GUIDE NO.	REPORT NO.
30655T	CU BOX	200K	45	60/75	CU ONLY	E52283	1ZLT	LR32169

NOTES:
 1. TOLERANCES ±.015 UNLESS OTHERWISE SPECIFIED.
 2. MATERIAL COMPOSITION AND RATING THERMOPLASTIC-125°C RTI.

GOULD 374 MERRIMAC STREET
 NEWBURYPORT, MA 01950

PRODUCT MANAGER SIGN: <i>Michael D. ...</i> DATE: 9-15-97	DESIGN ENGINEER SIGN: <i>John M. ...</i> DATE: 9/12/97
---	--

FUSE BLOCK, 300V-60A, ADDER CLASS T

OUTLINE DIMENSIONS NOT TO BE USED FOR PRODUCTION

700218