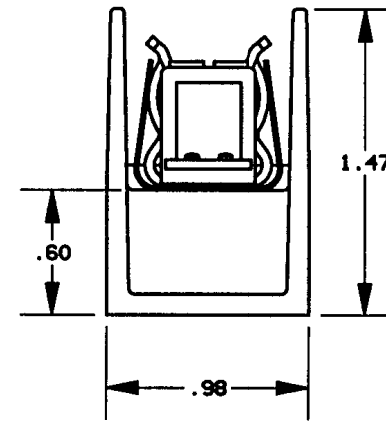
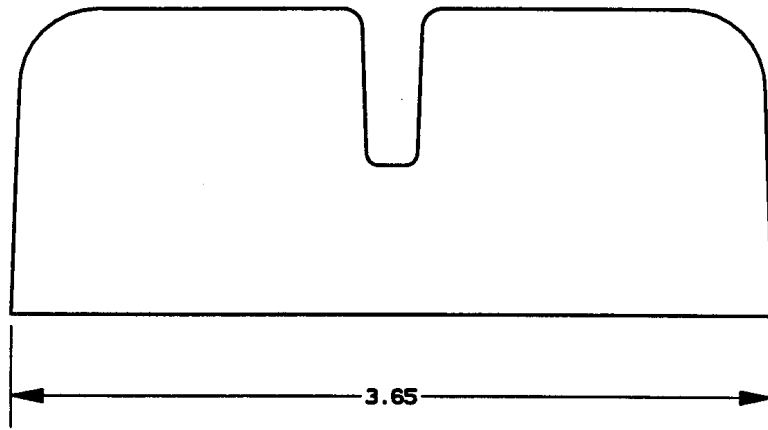
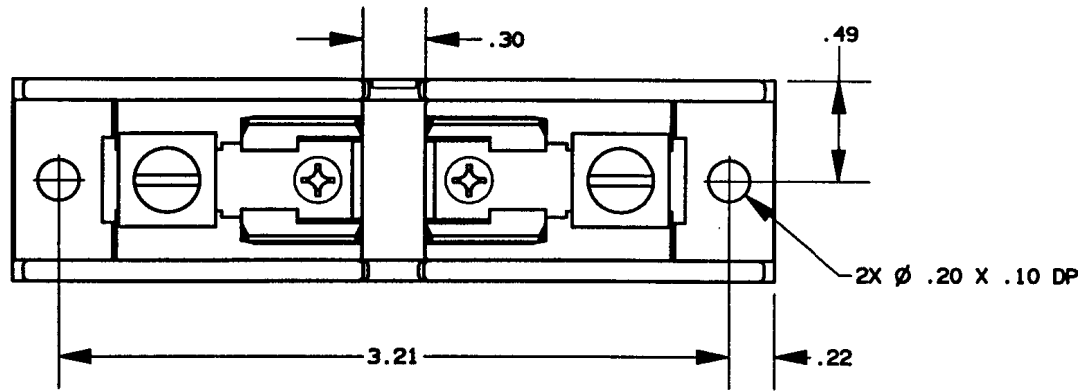


REV	DATE	ECO	DESCRIPTION	BY	CK	APP
-	26AUG97	N/A	INITIAL RELEASE	PRR	N/A	N/A



P/N	CONN TYPE	RMS SYM RATING	TORQUE (IN-LBS)	WIRE		U/L		CSA
				°C	TYPE	FILE NO.	GUIDE NO.	REPORT NO.
30656T	CU BOX	200K	45	60/75	CU ONLY	E52283	1ZLT	LR32169

NOTES:

1. TOLERANCES $\pm .015$ UNLESS OTHERWISE SPECIFIED.
2. MATERIAL COMPOSITION AND RATING THERMOPLASTIC-125°C RTI.

GOULD 374 MERRIMAC STREET
NEWBURYPORT, MA 01950

PRODUCT MANAGER

DESIGN ENGINEER

SIGN: *Richard A. ...*
DATE: 9-15-97

SIGN: *Steve M. ...*
DATE: 9/12/97

FUSE BLOCK, 300V-60A, 1 POLE
CLASS T

OUTLINE DIMENSIONS
NOT TO BE USED FOR PRODUCTION

700219