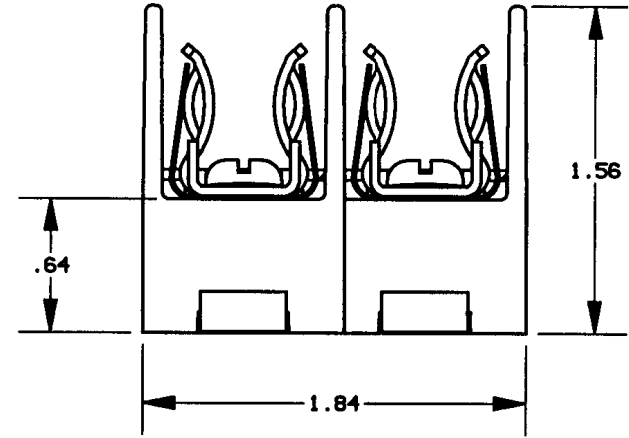
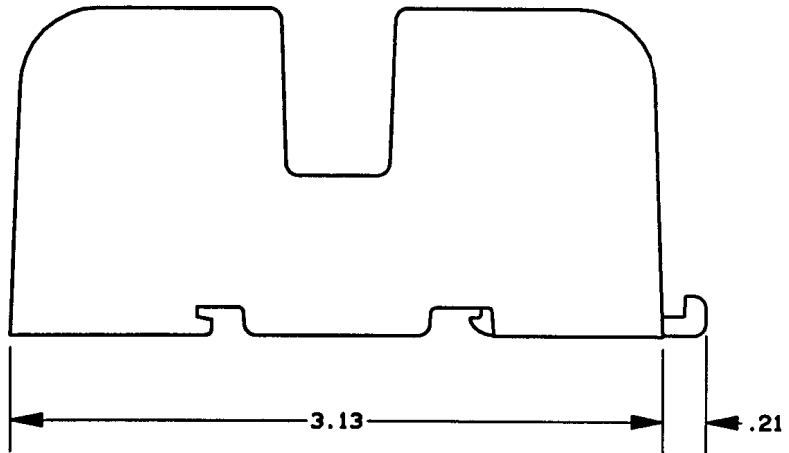
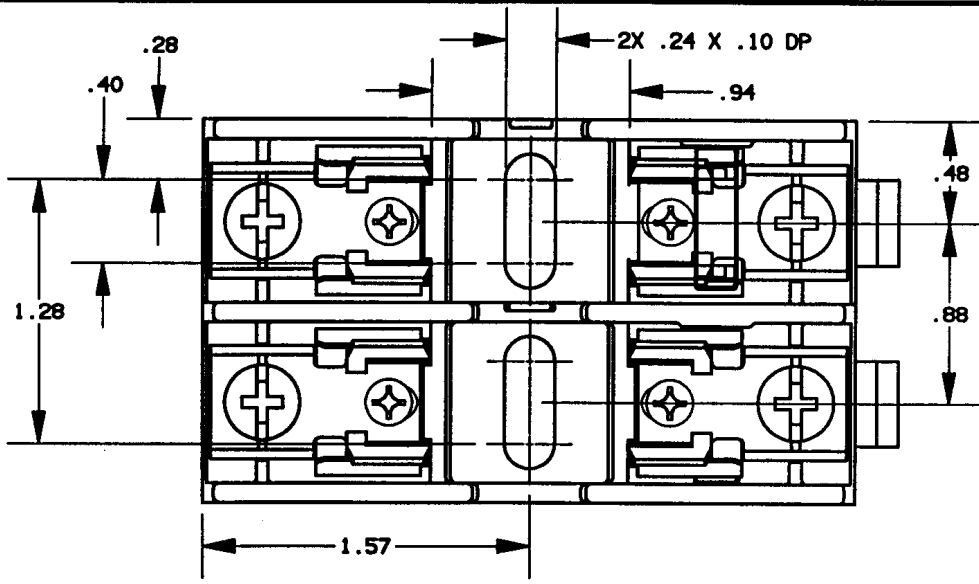


REV	DATE	ECO	DESCRIPTION	BY	CK	APP
-	26AUG97	N/A	INITIAL RELEASE	PRR	N/A	N/A



P/N	CONN TYPE	RMS SYM RATING	TORQUE (IN-LBS)	WIRE		U/L		CSA
				°C	TYPE	FILE NO.	GUIDE NO.	REPORT NO.
60317T	SCREW	200K	20	60/75	CU ONLY	E52283	1ZLT	LR32169

NOTES:  
 1. TOLERANCES ± .015 UNLESS OTHERWISE SPECIFIED.  
 2. MATERIAL COMPOSITION AND RATING THERMOPLASTIC-125°C RTI.

**GOULD** 374 MERRIMAC STREET  
 NEWBURYPORT, MA 01950

**FUSE BLOCK, 600V-30A, 2 POLE CLASS T**

OUTLINE DIMENSIONS  
 NOT TO BE USED FOR PRODUCTION

PRODUCT MANAGER  
 SIGN: *Nickel Dale*  
 DATE: 9-15-97

DESIGN ENGINEER  
 SIGN: *Stan M. Boyer*  
 DATE: 9/12/97

700225