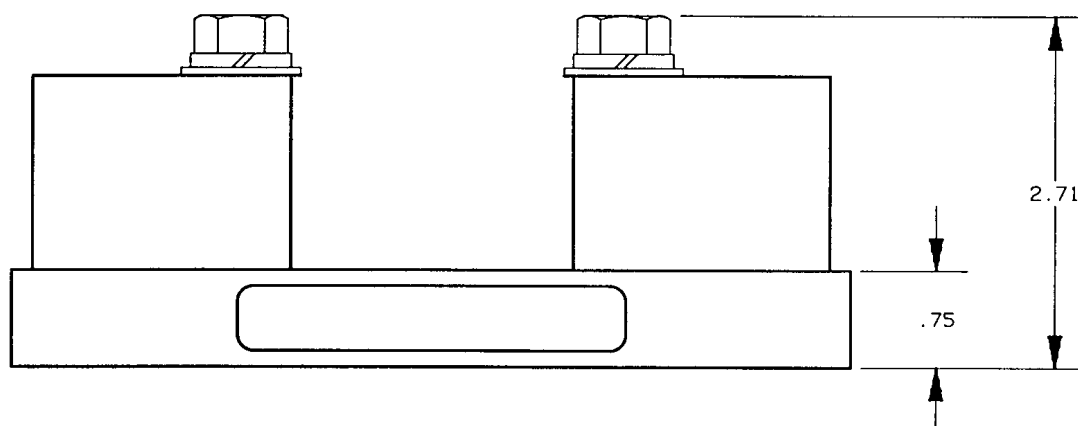
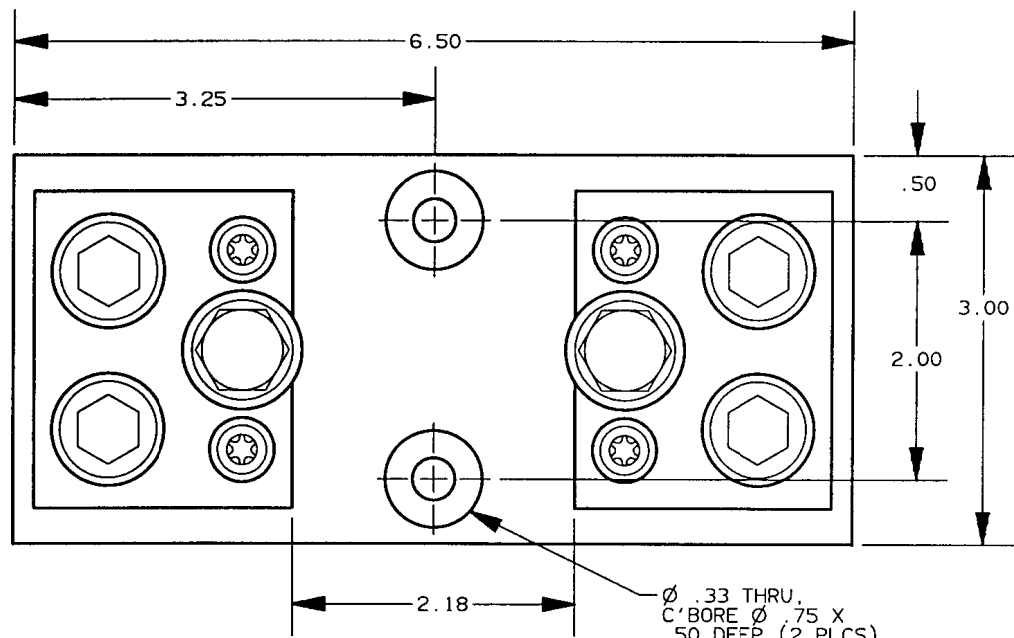
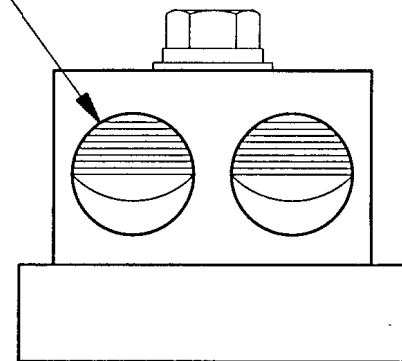


REV	DATE	ECO	DESCRIPTION	BY	CK	APP
-	6-11-97	N/A	INIT RELEASE	DBG	N/A	N/A



WIRE RANGE
600 Kcmil - #2



NOTES:

1. UNLESS OTHERWISE SPECIFIED MATERIAL COMPOSITION AND RATING:
BASE - THERMOSET 150°C RTI
CONNECTOR-COPPER, TIN PLATED.

P/N	FUSE CLASS	RMS SYM RATING	TORQUE (IN-LBS)	CONNECTOR TYPE	WIRE		UL		CSA
					°C	TYPE	FILE NO.	GUIDE NO.	REPORT NO.
66051T	T	200K	375	BOX	75	CU ONLY	E52283	1ZLT	LR32169

GOULD 374 MERRIMAC STREET
NEWBURYPORT, MA 01950

PRODUCT MANAGER SIGN: <i>Michael Zula</i> DATE: 6-17-97	DESIGN ENGINEER SIGN: <i>Alan M. Boy</i> DATE: 6/17/97
--	---

FUSE, BLOCK 600V-600A
CLASS T
1 POLE

OUTLINE DIMENSIONS
NOT TO BE USED FOR PRODUCTION

700267