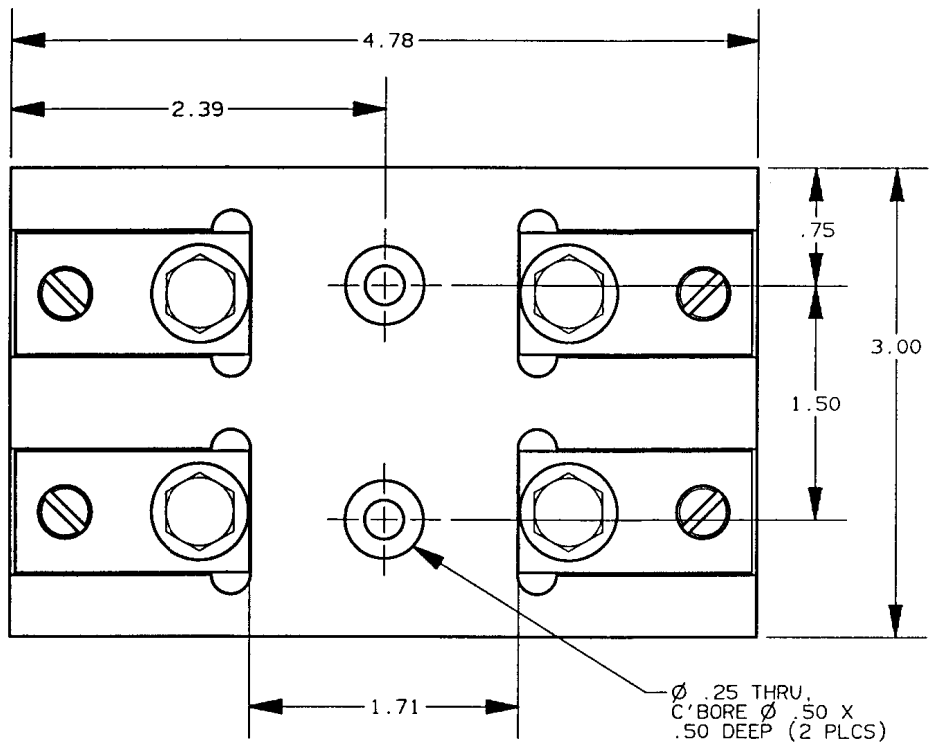
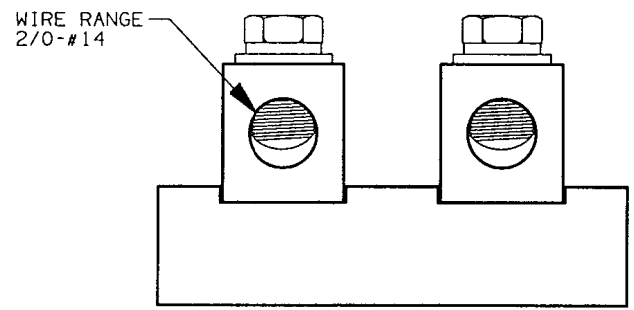
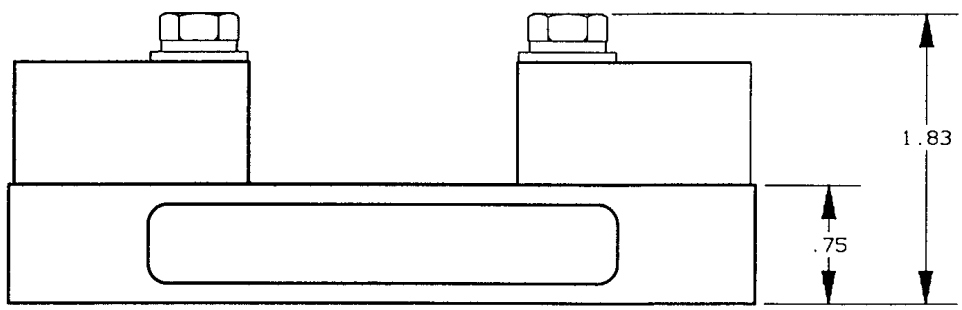


REV	DATE	ECO	DESCRIPTION	BY	CK	APP
-	6-10-97	N/A	INIT RELEASE	DBG	N/A	N/A



Ø .25 THRU.
C'BORE Ø .50 X
.50 DEEP (2 PLCS)



NOTES:

1. UNLESS OTHERWISE SPECIFIED
MATERIAL COMPOSITION AND RATING:
BASE - THERMOSET 150°C RTI
CONNECTOR-COPPER, TIN PLATED.

P/N	FUSE CLASS	RMS SYM RATING	TORQUE (IN-LBS)	CONNECTOR TYPE	WIRE		UL		CSA
					°C	TYPE	FILE NO.	GUIDE NO.	REPORT NO.
61052T	T	200K	50	BOX	75	CU ONLY	E52283	I ZLT	LR32169

GOULD 374 MERRIMAC STREET
NEWBURYPORT, MA 01950

PRODUCT MANAGER SIGN: <i>Michael Z...</i> DATE: 6-16-97	DESIGN ENGINEER SIGN: <i>Steve M. Bray</i> DATE: 6/11/97
--	---

FUSE BLOCK 600V-100A
CLASS T
2 POLE

OUTLINE DIMENSIONS
NOT TO BE USED FOR PRODUCTION

700270