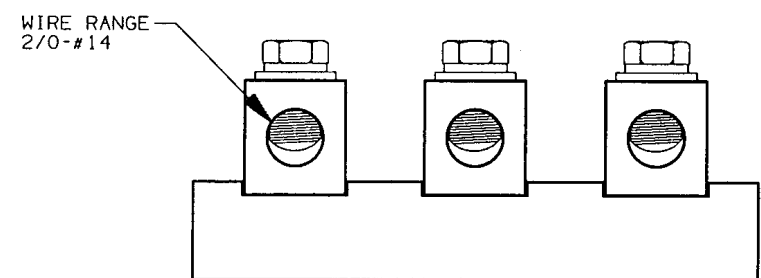
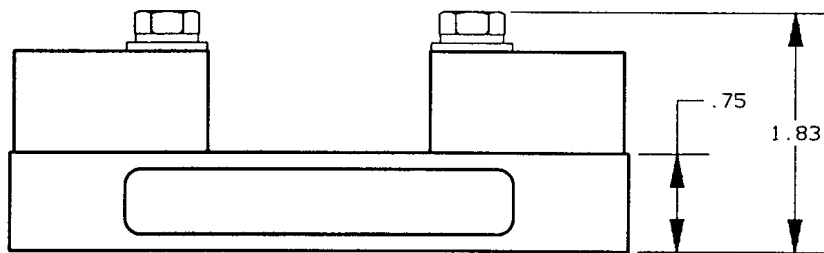
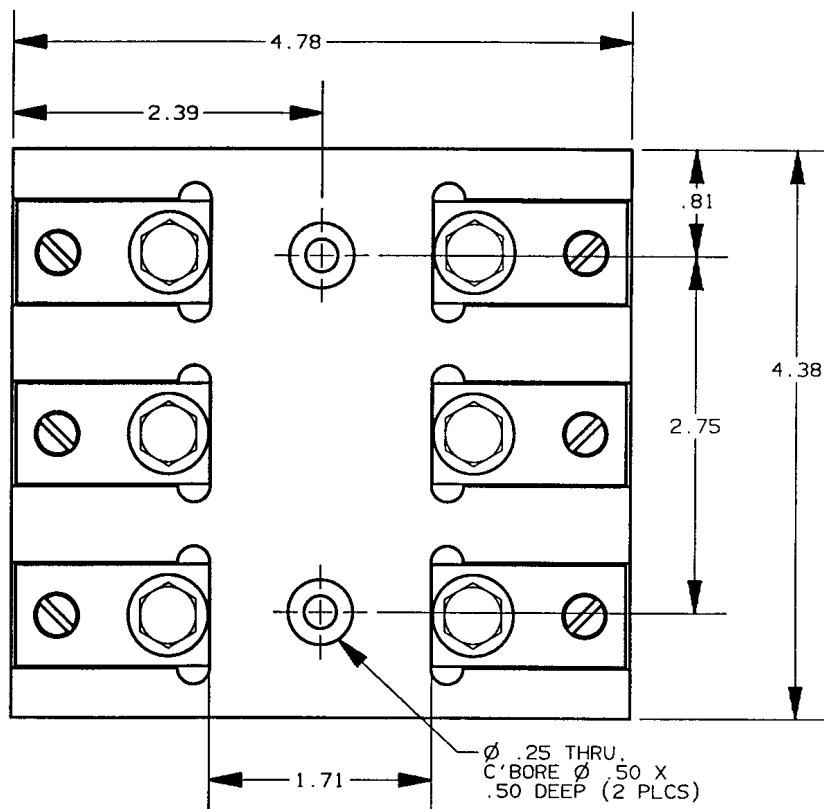


REV	DATE	ECO	DESCRIPTION	BY	CK	APP
-	6-10-97	N/A	INIT RELEASE	DBG	N/A	N/A



NOTES:
 1. UNLESS OTHERWISE SPECIFIED MATERIAL COMPOSITION AND RATING:
 BASE - THERMOSET 150°C RTI
 CONNECTOR-COPPER, TIN PLATED.

P/N	FUSE CLASS	RMS SYM RATING	TORQUE (IN-LBS)	CONNECTOR TYPE	WIRE		UL		CSA
					°C	TYPE	FILE NO.	GUIDE NO.	REPORT NO.
61053T	T	200K	50	BOX	75	CU ONLY	E52283	IZLT	LR32169

GOULD 374 MERRIMAC STREET
 NEWBURYPORT, MA 01950

PRODUCT MANAGER **DESIGN ENGINEER**

SIGN: *Michael D. ...* SIGN: *Steven M. ...*
 DATE: 6-17-97 DATE: 6/11/97

FUSE, BLOCK 600V-100A
 CLASS T
 3 POLE

OUTLINE DIMENSIONS
 NOT TO BE USED FOR PRODUCTION

700272