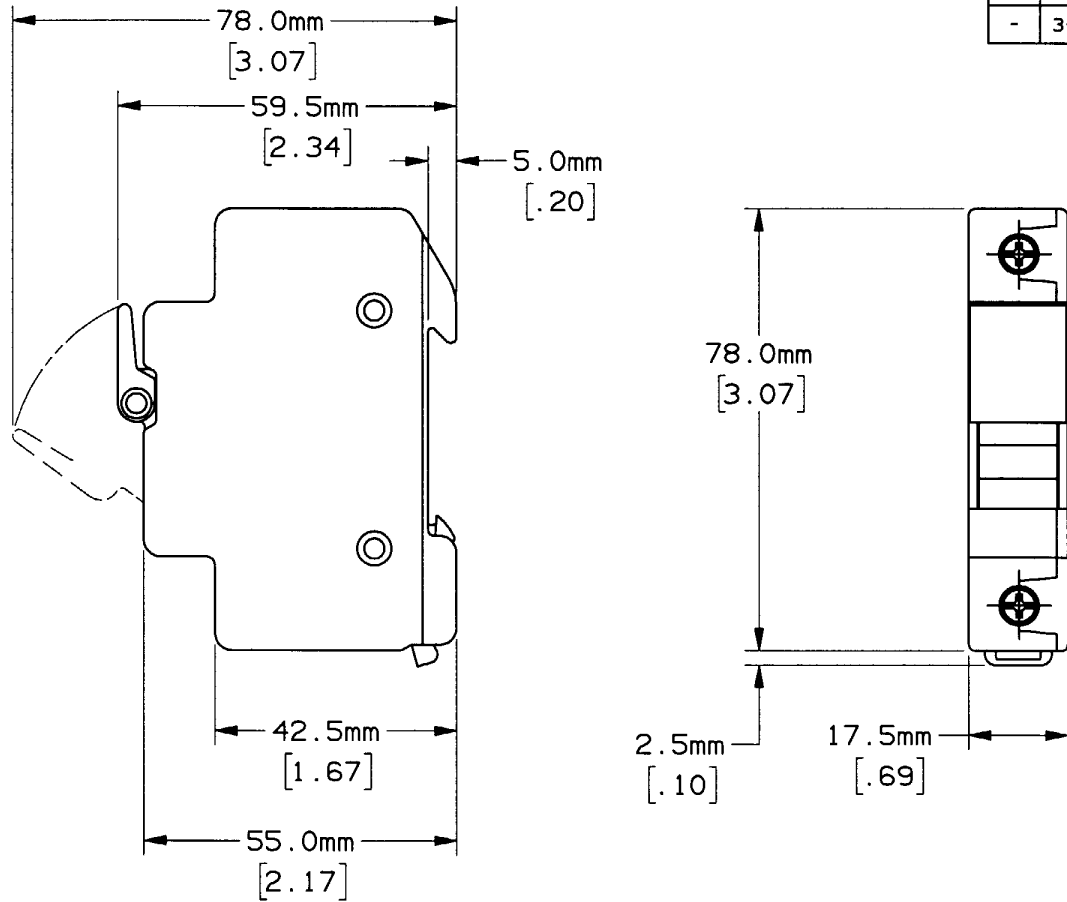


REV	DATE	ECO	DESCRIPTION	BY	CK	APP
-	3-10-99	N/A	INIT RELEASE	GCT	N/A	N/A



P/N	CONN TYPE	RMS SYM RATING	TORQUE (IN-LBS)	WIRE			U/L		CSA
				WIRE RANGE	°C	TYPE	FILE NO.	GUIDE NO.	REPORT NO.
USM1I-DC24 USM1I-DC24P	PRESSURE PLATE	100K	14.75	#6-#14	60/75	CU	E52283	IZLT2	LR32169

NOTES:

1. MATERIAL COMPOSITION AND RATING THERMOPLASTIC - 150°C RTI.
2. DIMENSIONS ARE mm/[INCHES]
3. TOLERANCES ARE ±.01 UNLESS OTHERWISE SPECIFIED.

GOULD 374 MERRIMAC STREET
NEWBURYPORT, MA 01950

PRODUCT MANAGER
SIGN: *Michael DeLuca*
DATE: 4-5-99

DESIGN ENGINEER
SIGN: *Elizabeth Ryan*
DATE: 4-5-99

FUSE HOLDER, 24V-30A, 1 POLE
MIDGET

OUTLINE DIMENSIONS
NOT TO BE USED FOR PRODUCTION

700440