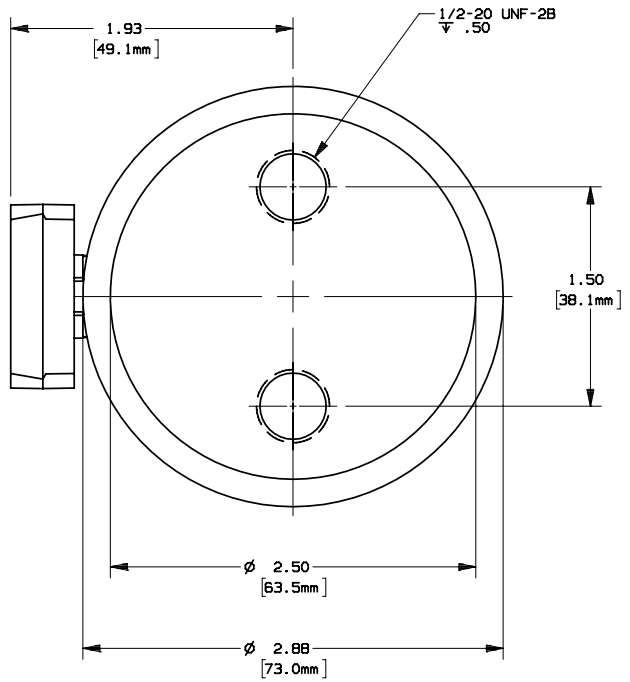
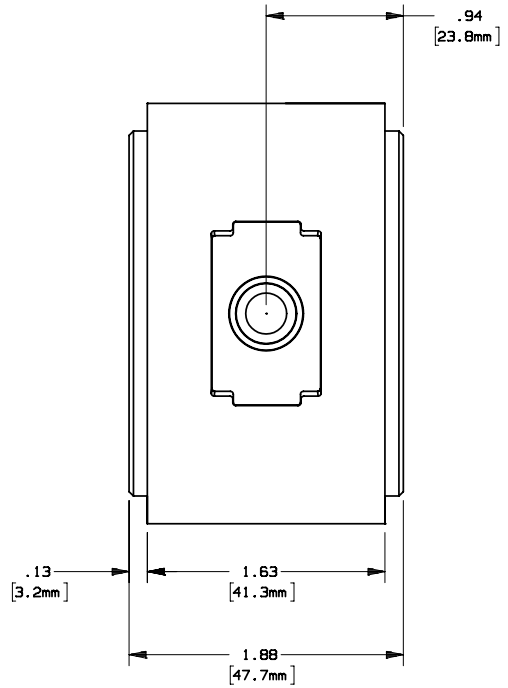


REV	DATE	ECO	DESCRIPTION	BY	CK	APP
A	9-19-03	NA	DIM. Ø 2.88 WAS 3.00	LDB	NA	NA



MERSEN USA NEWBURYPORT-MA, LLC
 374 MERRIMAC STREET
 NEWBURYPORT, MA 01950

A15QS(2500-3000)-128IL

OUTLINE DIMENSIONS
 NOT TO BE USED FOR PRODUCTION

PRODUCT MANAGER

DESIGN ENGINEER

FORM 101

SIGN:
 DATE:

SIGN:
 DATE:

2500-3000A 150VAC IEC/165VAC MAX

700654