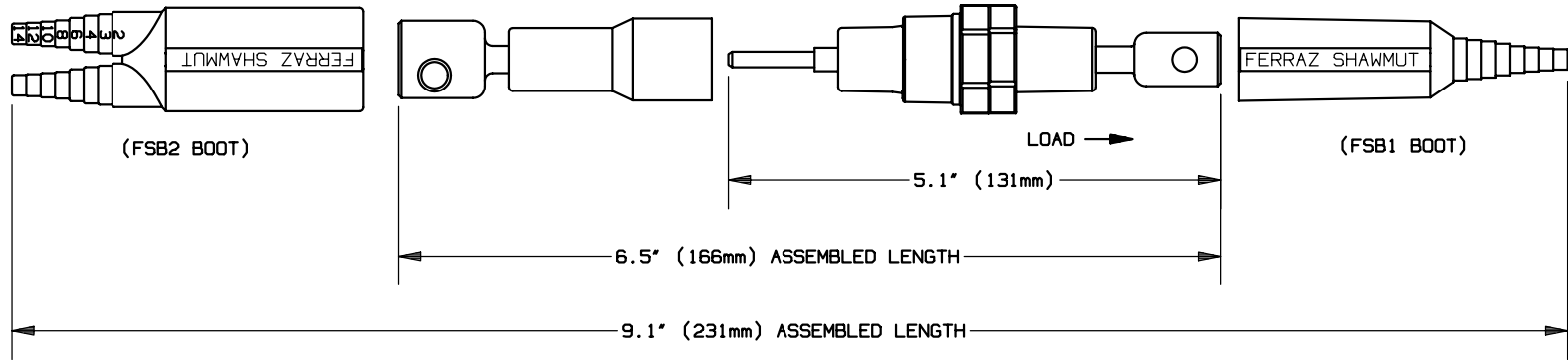
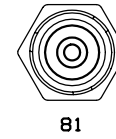
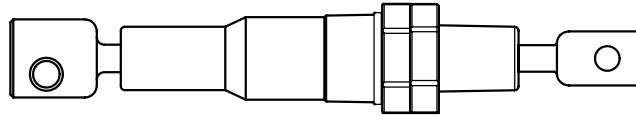
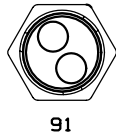


REV	DATE	ECO	DESCRIPTION	BY	CK	APP
-	5/14/02	N/A	INITIAL RELEASE	LAS	N/A	N/A



P/N	AMPERE RATING	RMS SYM RATING	CONN TYPE	TORQUE (LBS-IN)	WIRE			UL		CSA	
					WIRE RANGE	°C	TYPE	FILE NO.	GUIDE NO.	FILE NO.	CLASS
FEB-81-91-BA	30	100,000	81-Cu SINGLE SET SCREW	50 35 25 20	{1} #2-3 SOL/STR {1} #4-6 SOL/STR {1} #8 SOL/STR {1} #10-12 SOL/STR	75	Cu	E52283	IZLT2	32169	6225
			91-Cu DOUBLE SET SCREW	50 35 25 20	{1} #2-3 SOL/STR {1} #4-6 SOL/STR {1} #8 SOL/STR {1} #10-12 SOL/STR						

Ferraz Shawmut
 FERRAZ SHAWMUT INC.
 374 MERRIMAC STREET
 NEWBURYPORT, MA 01950

PRODUCT MANAGER	DESIGN ENGINEER
SIGN:	SIGN:
DATE:	DATE:

FUSE HOLDER, 600V-30A,
 1 POLE, IN-LINE,
 MIDGET
 BREAKAWAY CONFIGURATION

OUTLINE DIMENSIONS
 NOT TO BE USED FOR PRODUCTION

700708