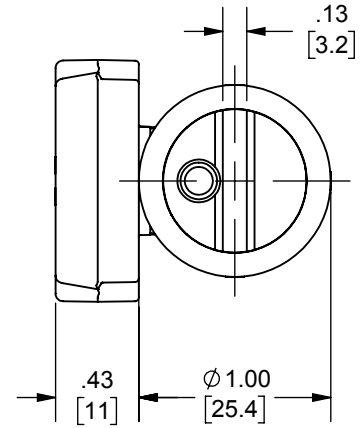
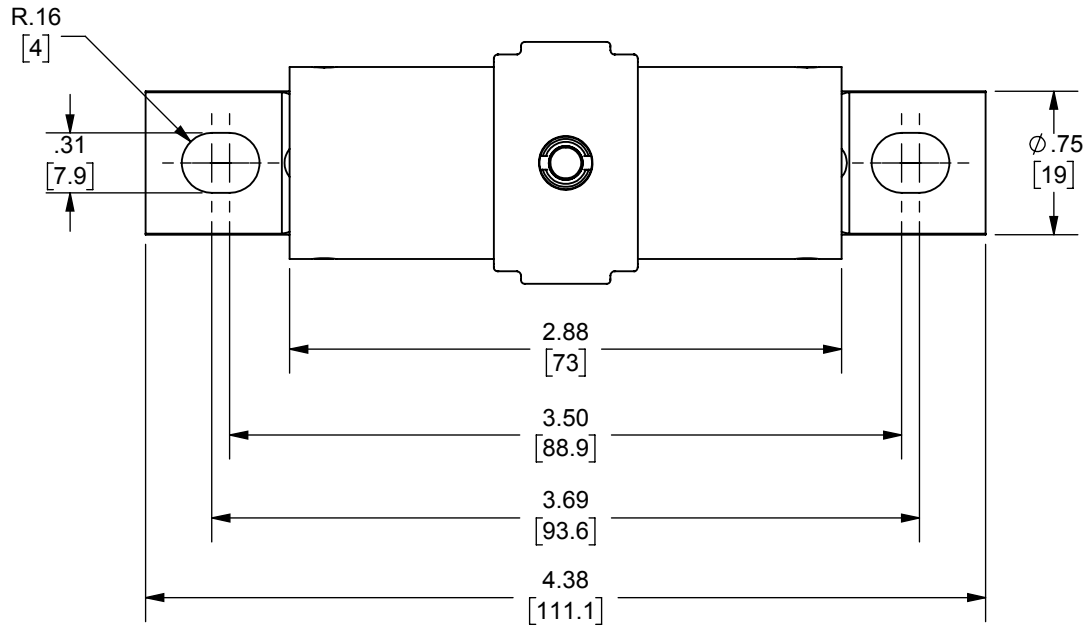


REV.	DATE	ECO	DESCRIPTION	BY	CK	APP
A	10/17/19	N/A	REDRAWN	GDR	N/A	N/A



DIMENSIONS IN [] ARE MILLIMETERS



MERSEN USA NEWBURYPORT-MA, LLC
374 MERRIMAC STREET
NEWBURYPORT, MA 01950

A70QS(35-100)-4IL

FORM 101 TYPE 4IL

35A-100A 700V

OUTLINE DIMENSIONS
NOT TO BE USED FOR PRODUCTION

700854

PRODUCT MANAGER

SIGN: YICHI AU

DATE: 11/6/19

DESIGN ENGINEER

SIGN: K.HORNE

DATE: 11/6/19