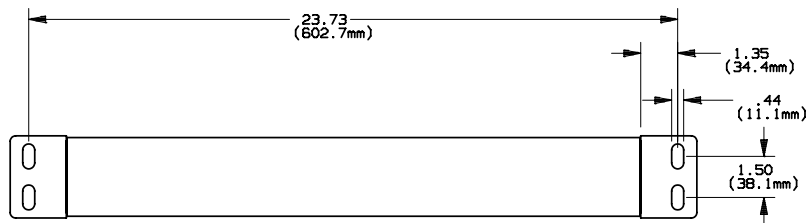
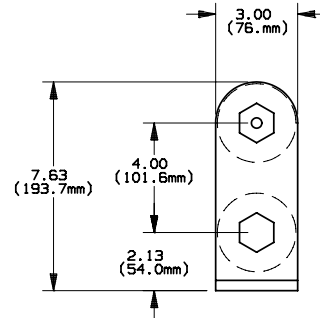
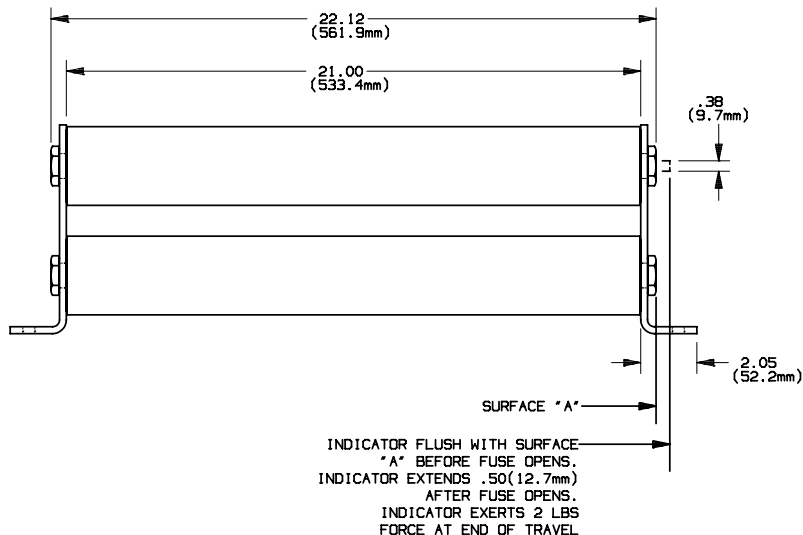


REV	DATE	ECO	DESCRIPTION	BY	CK	APP
-	8/23/02	N/A	INITIAL RELEASE	LAS	N/A	N/A



RATING	CATALOG NO.
450E	A055B2D0R0-450E
500E	A055B2D0R0-500E
600E	A055B2D0R0-600E



MERSEN USA NEWBURYPORT-MA, LLC
374 MERRIMAC STREET
NEWBURYPORT, MA 01950

OUTLINE DIMENSIONS
NOT TO BE USED FOR PRODUCTION

PRODUCT MANAGER

DESIGN ENGINEER

SIGN:

SIGN:

DATE:

DATE:

MEDIUM VOLTAGE AMP-TRAP
E-RATED GENERAL PURPOSE
CURRENT LIMITING FUSE
BOLT IN SERIES, 450E TO 600E, 5.5KV MAX

700873