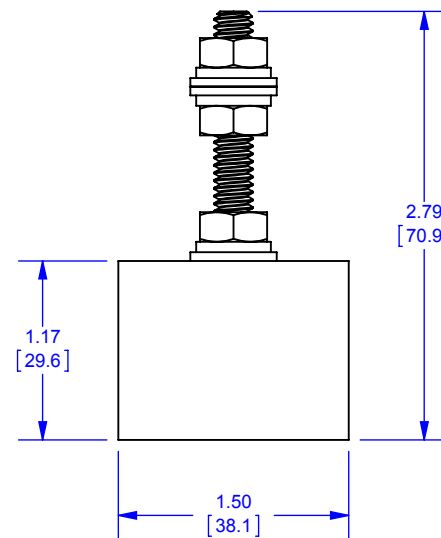
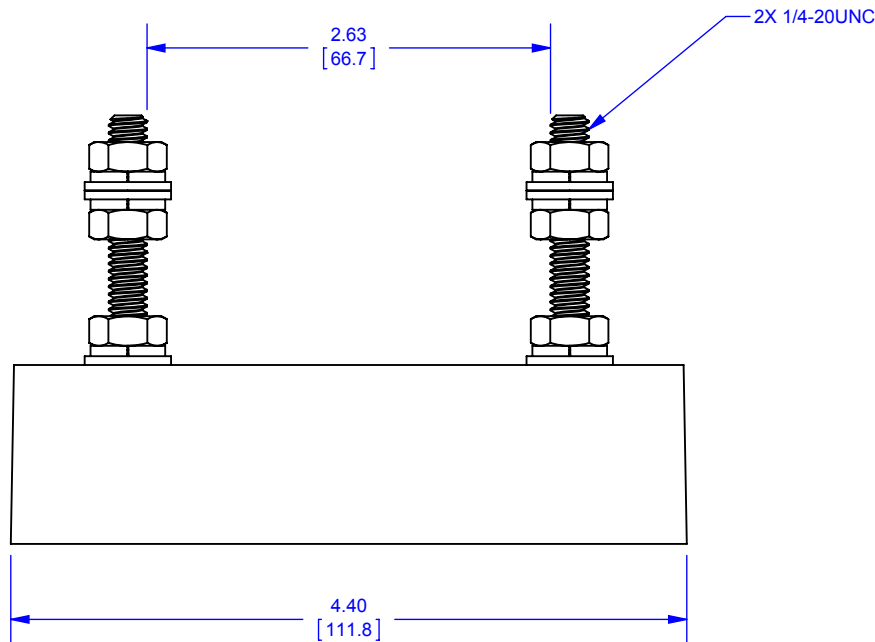
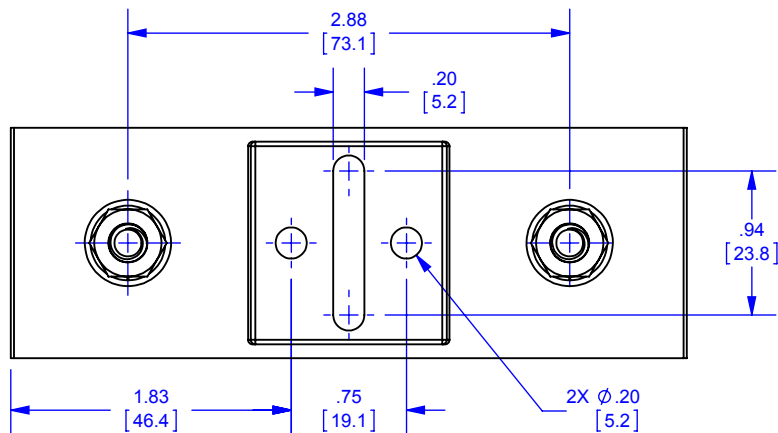


REV.	DATE	ECO	DESCRIPTION	BY	CK	APP
A	3/21/2014	N/A	REDRAWN; REMOVED HOLES ON DRAWING THAT WERE REMOVED FROM PART	GDR		N/A



DIMENSIONS IN [] ARE MILLIMETERS



MERSEN USA NEWBURYPORT-MA, LLC
374 MERRIMAC STREET
NEWBURYPORT, MA 01950

FUSE BLOCK

FORM 101 SINGLE-POLE

P243E

OUTLINE DIMENSIONS
NOT TO BE USED FOR PRODUCTION

701324

PRODUCT MANAGER

DESIGN ENGINEER

SIGN:

SIGN:

DATE:

DATE: (SEE ECO)